

HermanMiller Renew™ Single Stage Leg Disassembly Instructions



How to disassemble your table

Illustrations and specifications are based on the latest product information available at the time of publication. The right is reserved to make changes in design and specifications at any time, without notice, and also to discontinue products.

For more information about our products and services or to see a list of dealers, For assistance: Please visit us at www.hermanmiller.com/product-instructions or call 888-443-4357

© 2015 Herman Miller, Inc., Zeeland, Michigan Printed in U.S.A. Part No. 1bgj76 - A.
™ Renew is among the trademarks of Herman Miller, Inc.

Tools Required



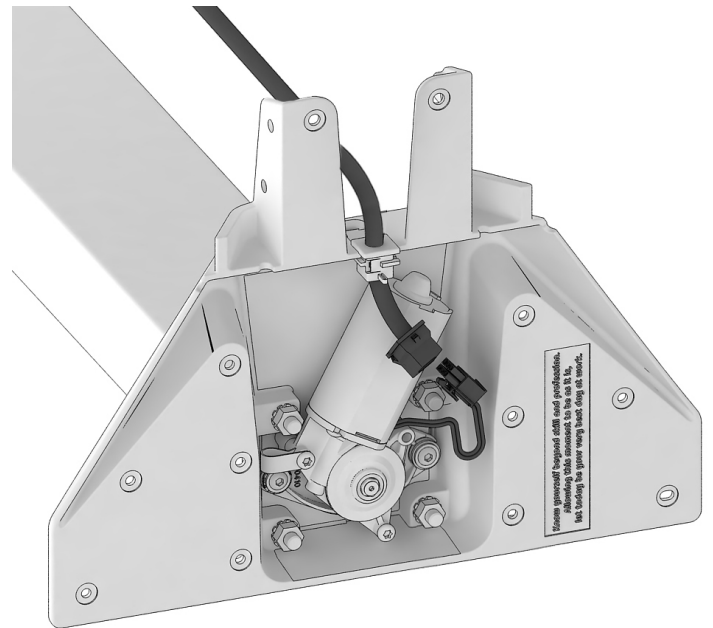
Allen Wrench
Size #2, #3



Phillips-Recess Bit
Size #2

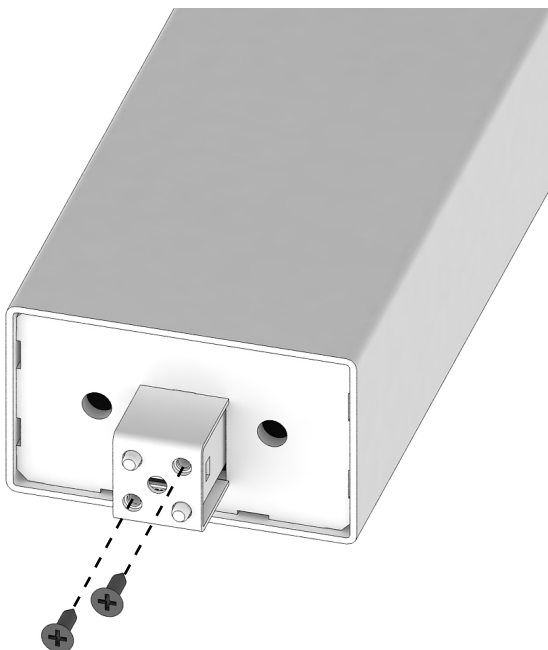
Step 1

1.1 Remove the power cord by deep pressing the connector.



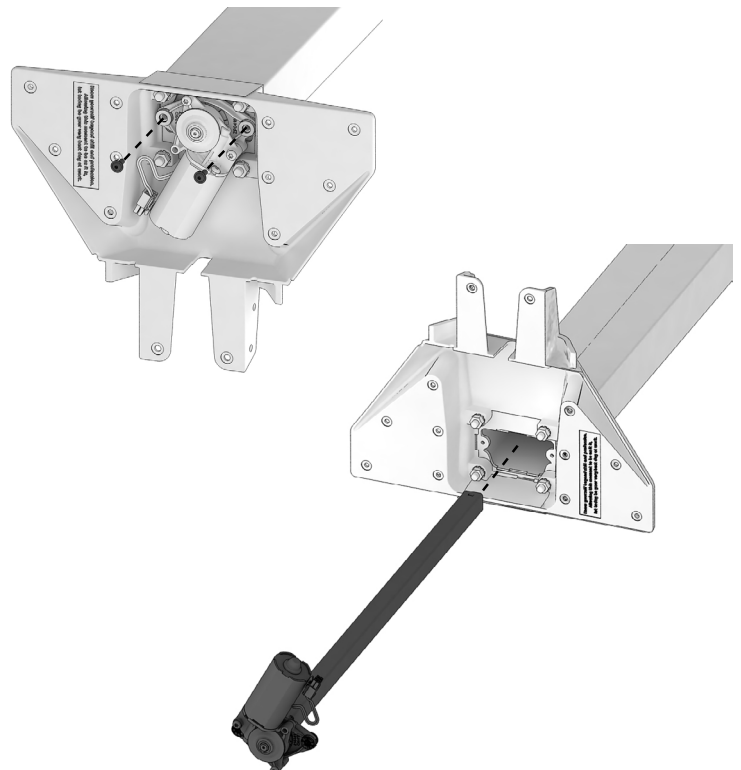
Step 2

2.1 Turn around the leg and take off the bottom screws using Phillips #2.

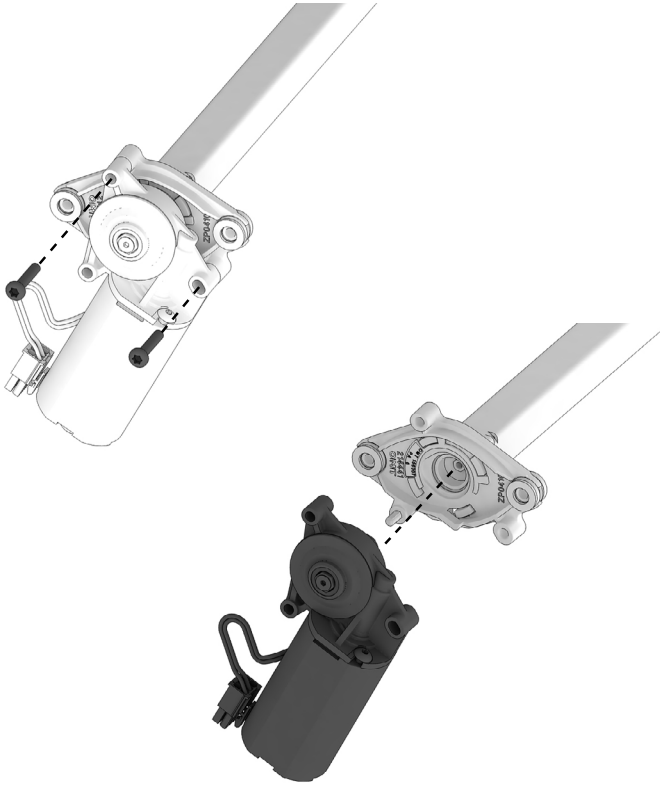


Step 3

3.1 Turn around the leg to top side and take out the motor assembly using Allen Wrench #3.

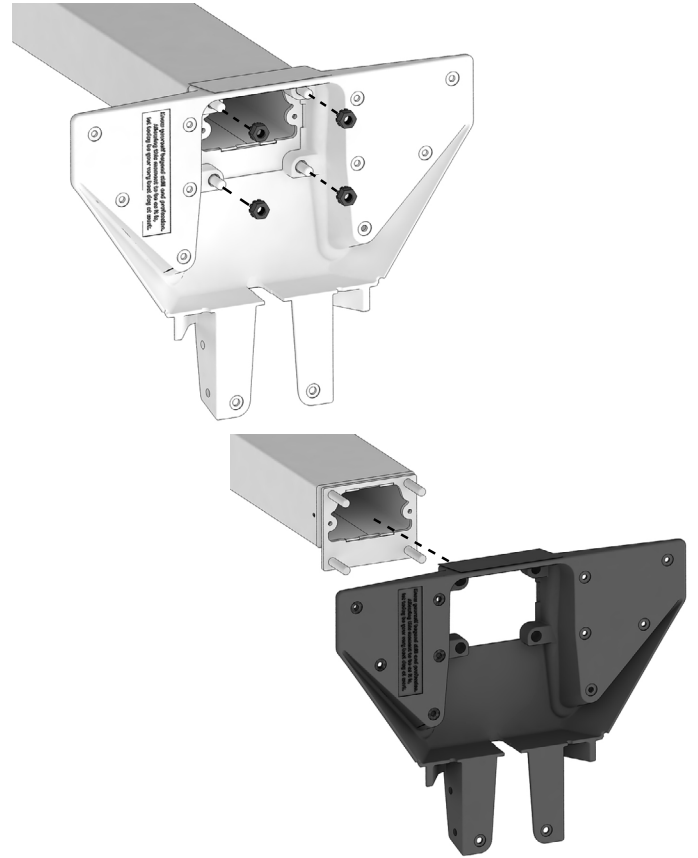


3.2 Then take the motor off using T25 Torque Head.



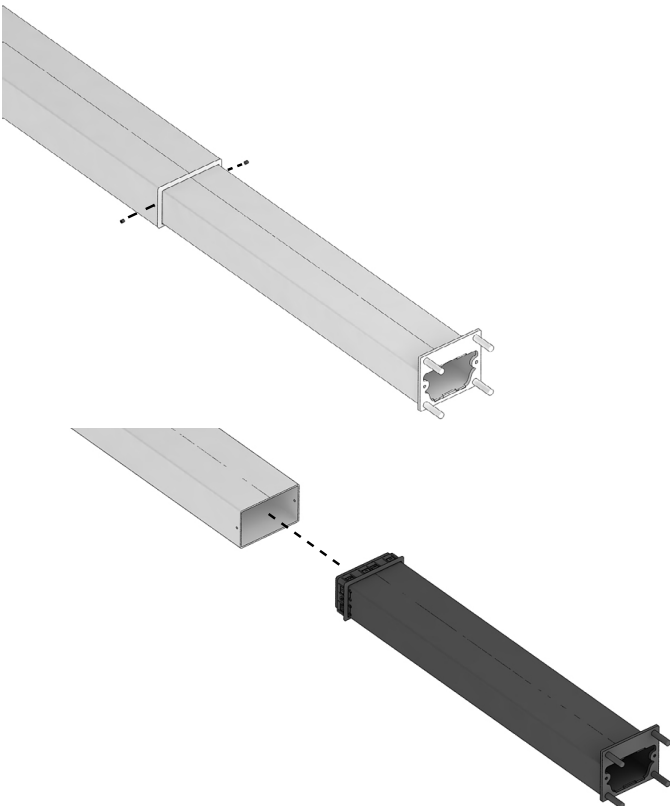
Step 4

4.1 Take out the casting using 1/2 inch socket wrench.



Step 5

5.1 Slide the single stage leg and remove the bezel screws using Allen Wrench #2.



HermanMiller Renew™ Crank Leg Disassembly Instructions



How to disassemble your table

Illustrations and specifications are based on the latest product information available at the time of publication. The right is reserved to make changes in design and specifications at any time, without notice, and also to discontinue products.

For more information about our products and services or to see a list of dealers, For assistance: Please visit us at www.hermanmiller.com/product-instructions or call 888-443-4357

© 2015 Herman Miller, Inc., Zeeland, Michigan Printed in U.S.A. Part No. 1bg7j6 - A.
™ Renew is among the trademarks of Herman Miller, Inc.

Tools Required



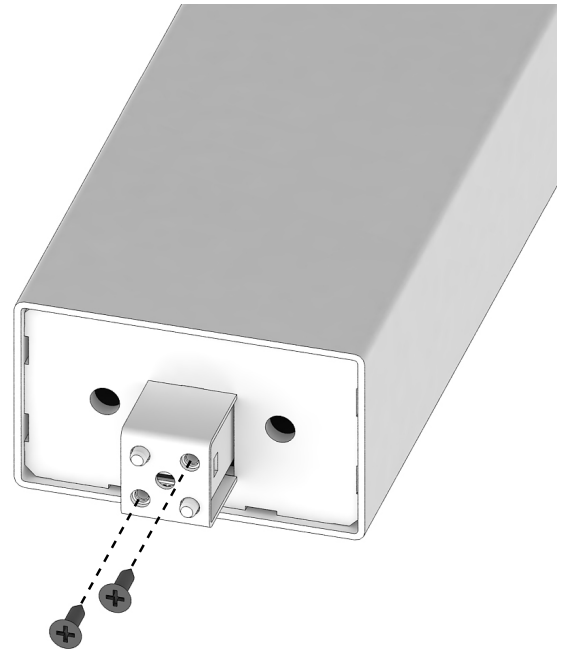
Allen Wrench
Size #2, #3, #4



Phillips-Recess Bit
Size #2

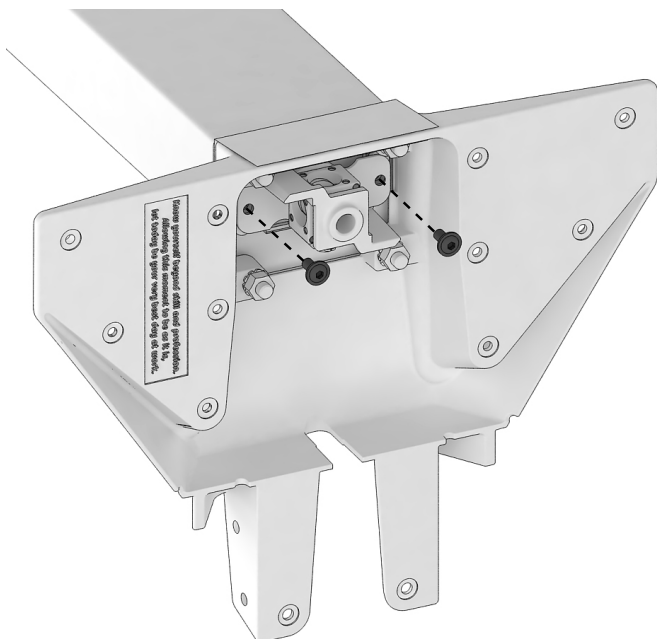
Step 1

1.1 Turn around the leg and take off the bottom screws using Phillips #2.

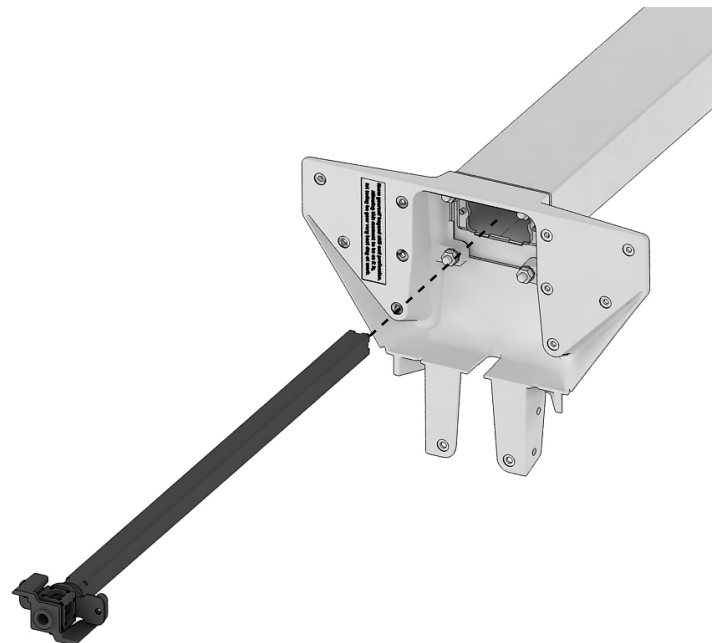


Step 2

2.1 Take out the gear housing using Allen Wrench #4.

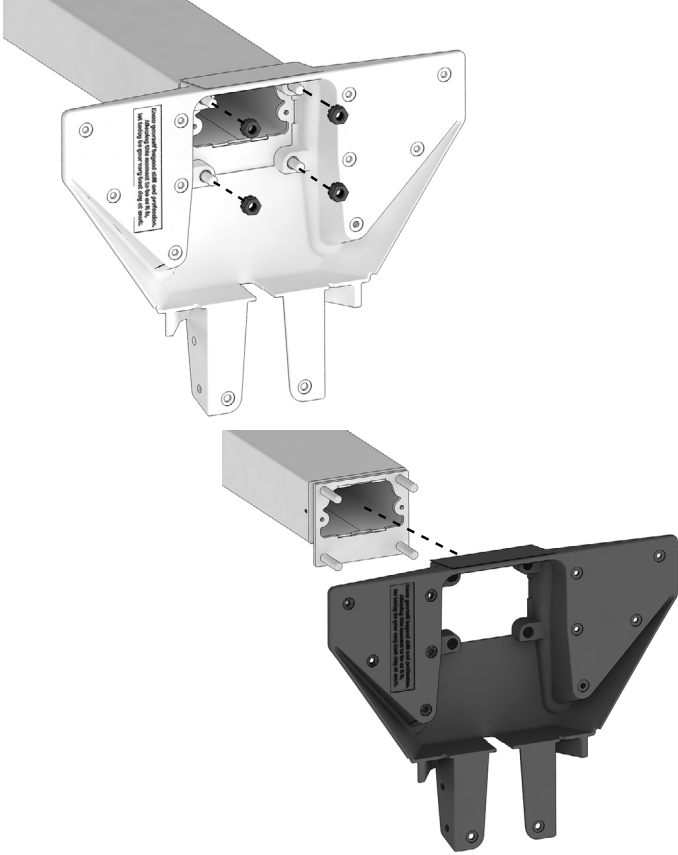


2.2 Pull the actuator out.



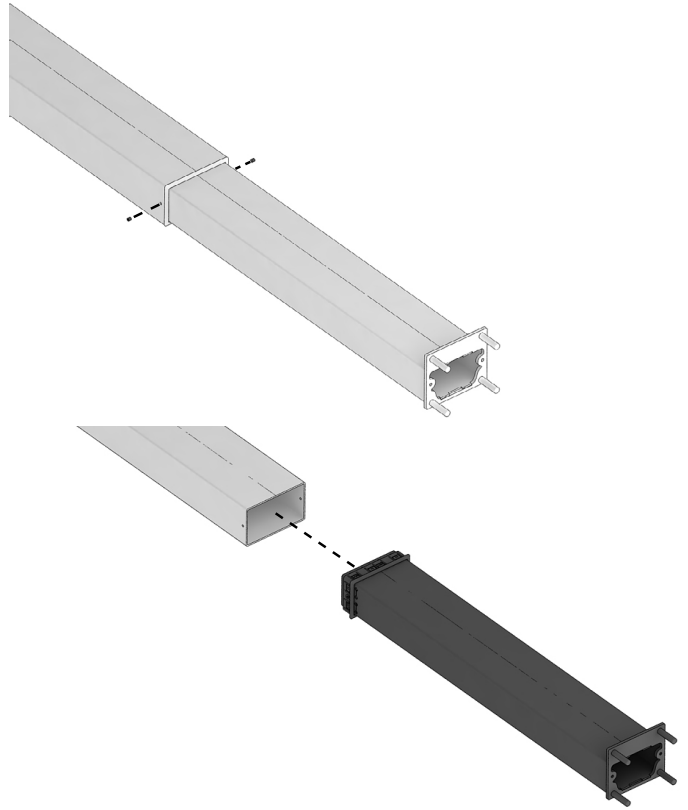
Step 3

3.1 Take out the casting using 1/2 inch socket wrench.



Step 4

4.1 Remove the screws using Allen Wrench #2.



HermanMiller Renew™ Double stage leg Disassembly Instructions



How to disassemble your table

Illustrations and specifications are based on the latest product information available at the time of publication. The right is reserved to make changes in design and specifications at any time, without notice, and also to discontinue products.

For more information about our products and services or to see a list of dealers, For assistance: Please visit us at www.hermanmiller.com/product-instructions or call 888-443-4357

© 2015 Herman Miller, Inc., Zeeland, Michigan Printed in U.S.A. Part No. 1bg7j6 - A.
™ Renew is among the trademarks of Herman Miller, Inc.

Tools Required



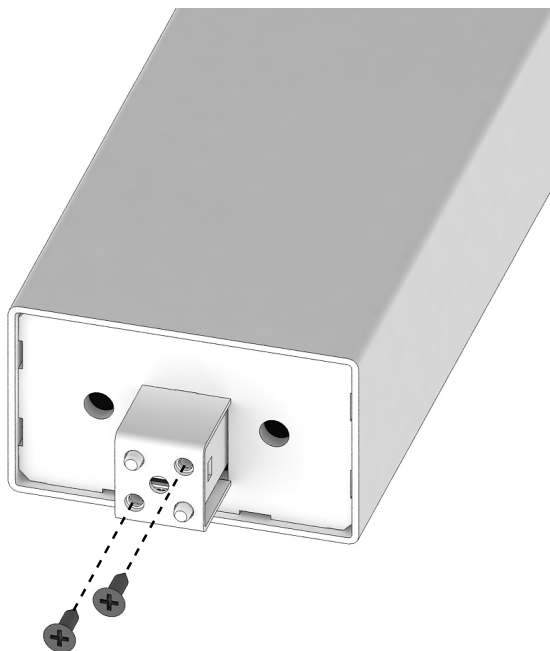
Allen Wrench
Size #2, #3



Phillips-Recess Bit
Size #2

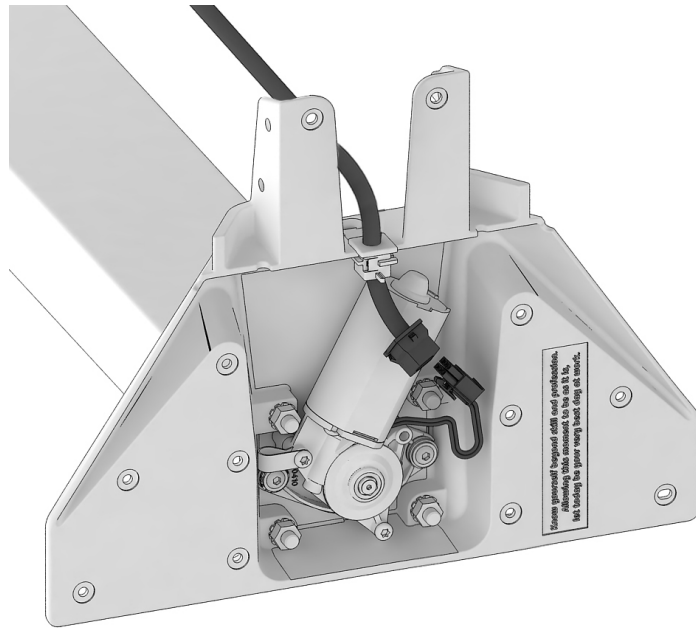
Step 2

2.1 Turn around the leg and take off the bottom screws using Phillips #2.



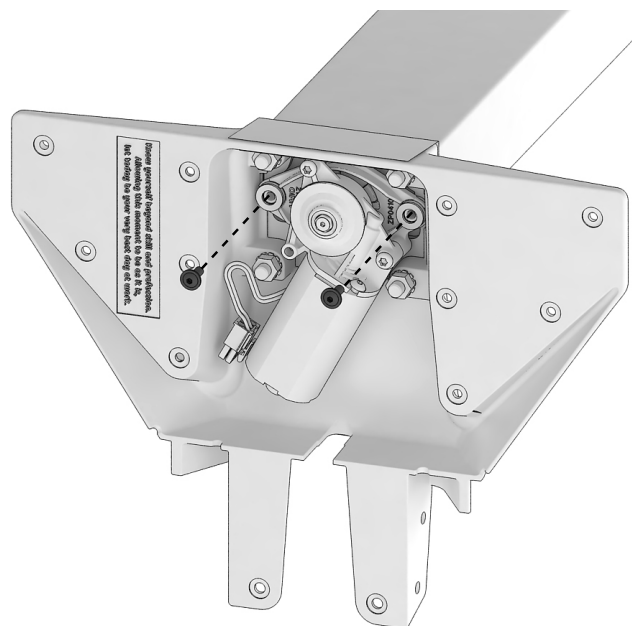
Step 1

1.1 Remove the power cord by deep pressing the connector.

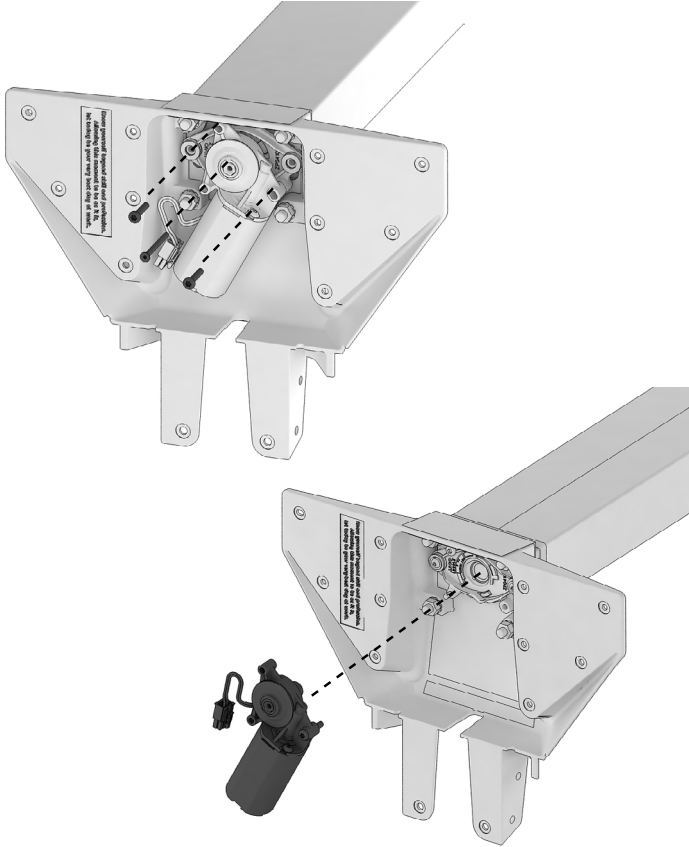


Step 3

3.1 Turn around the leg to top side and take out the motor assembly using Allen Wrench #3.

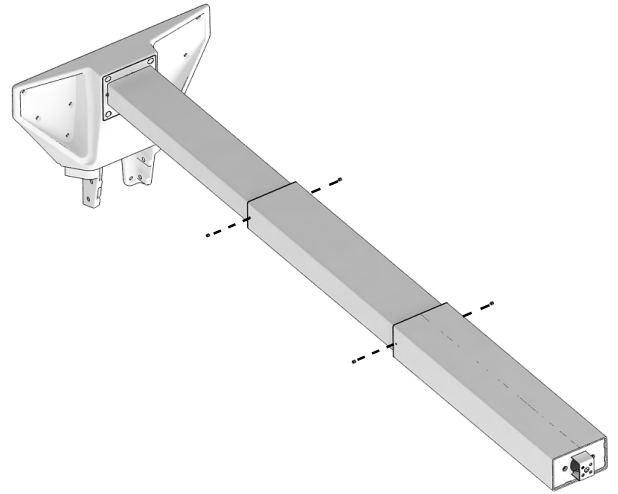


3.2 Remove center bolt using 2 1/2 metric allen wrench and remove the side bolts using T25 Torque Head, take the motor out.

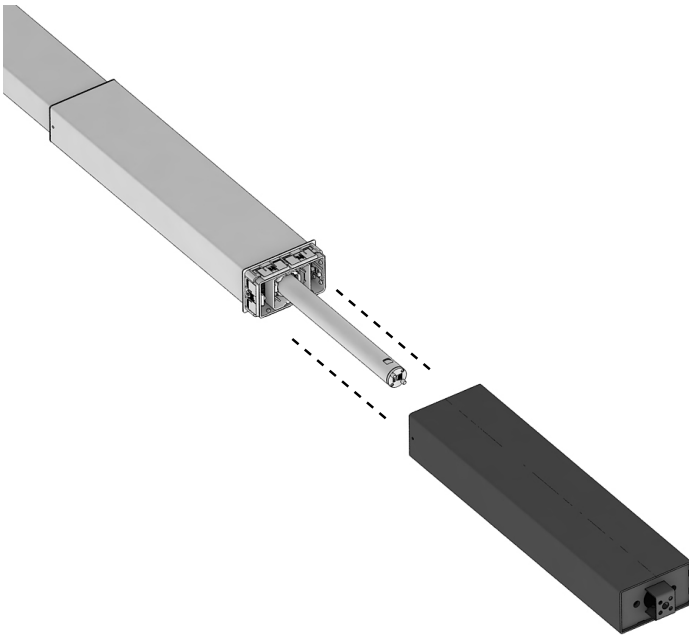


Step 4

4.1 Slide the double stage leg and remove the bezel screws using Allen Wrench #2.

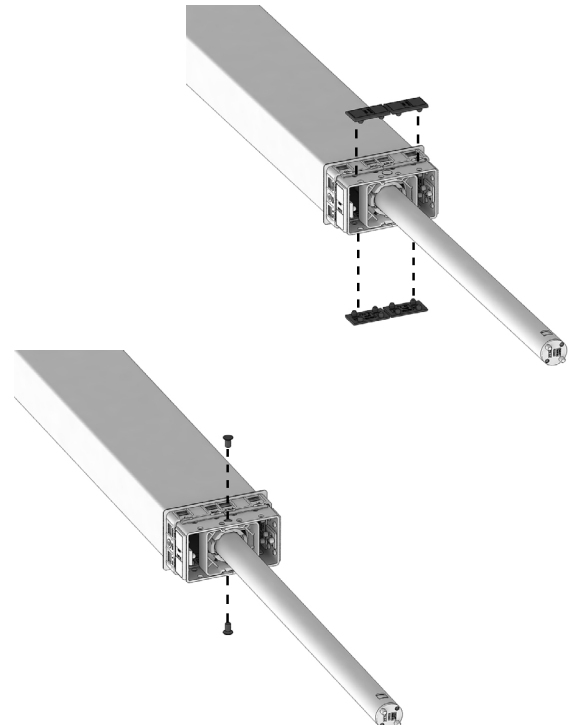


4.2 Remove the lower leg.

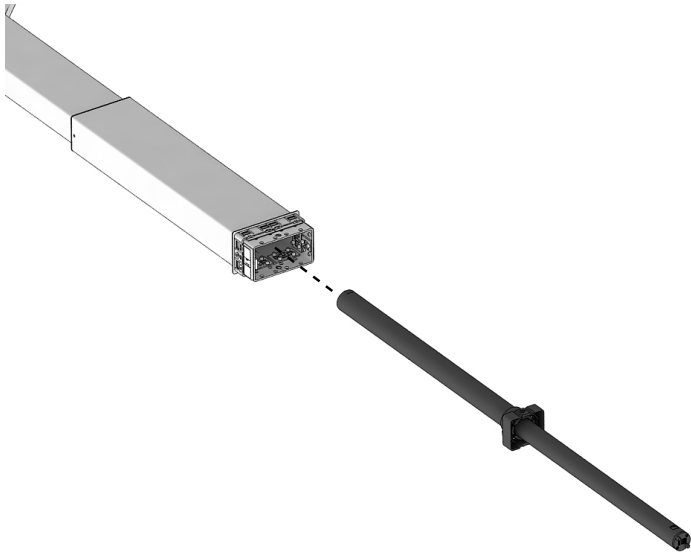


Step 5

5.1 Remove the bush and find the screws which should be removed using Torque Head #20

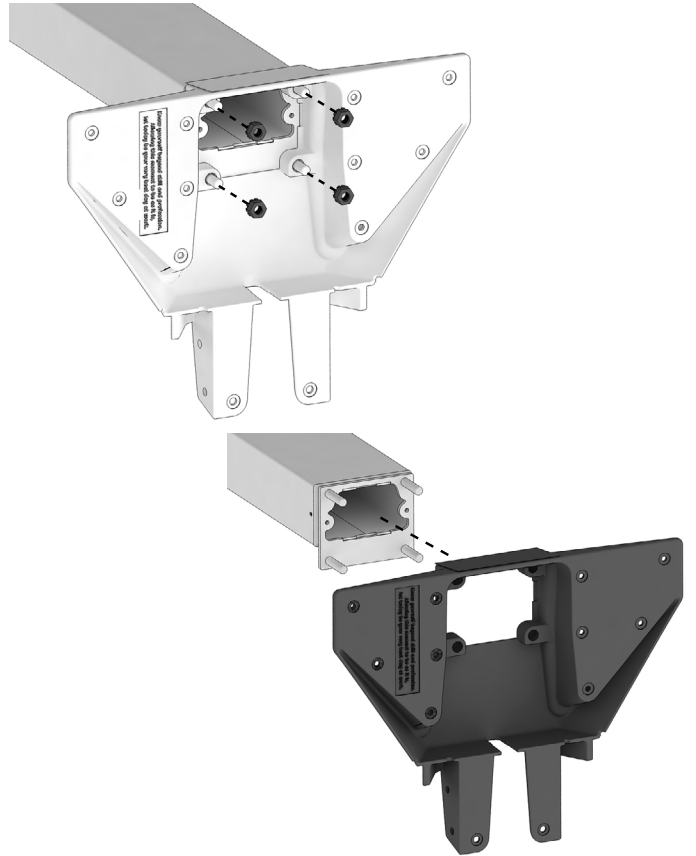


5.2 Take out the tube.



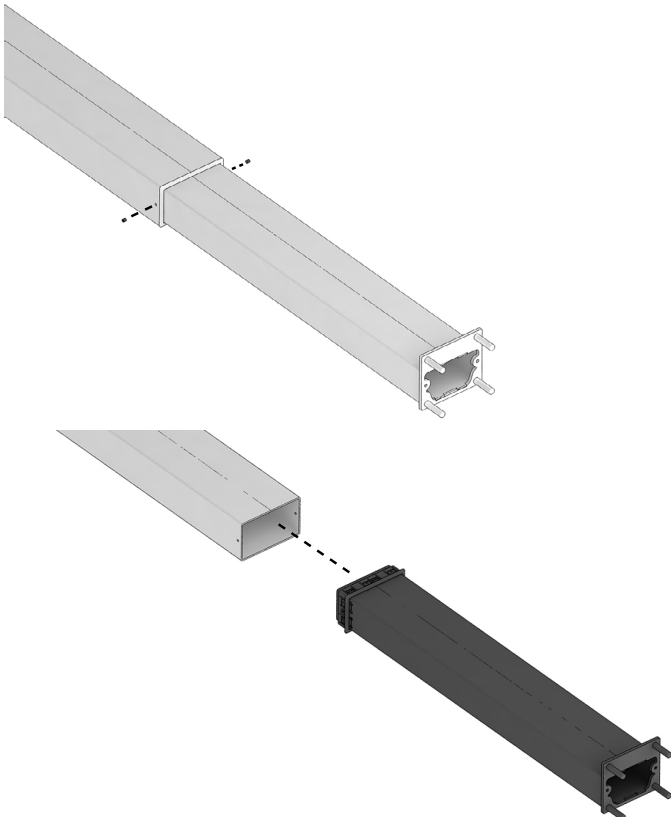
Step 6

6.1 Take out the casting using 1/2 inch socket wrench.



Step 7

7.1 Remove the screws using Allen Wrench #2.



HermanMiller Renew™ Power In leg Disassembly Instructions



How to disassemble your table

Illustrations and specifications are based on the latest product information available at the time of publication. The right is reserved to make changes in design and specifications at any time, without notice, and also to discontinue products.

For more information about our products and services or to see a list of dealers, For assistance: Please visit us at www.hermanmiller.com/product-instructions or call 888-443-4357

© 2015 Herman Miller, Inc., Zeeland, Michigan Printed in U.S.A. Part No. 1bgj76 - A.
™ Renew is among the trademarks of Herman Miller, Inc.

Tools Required



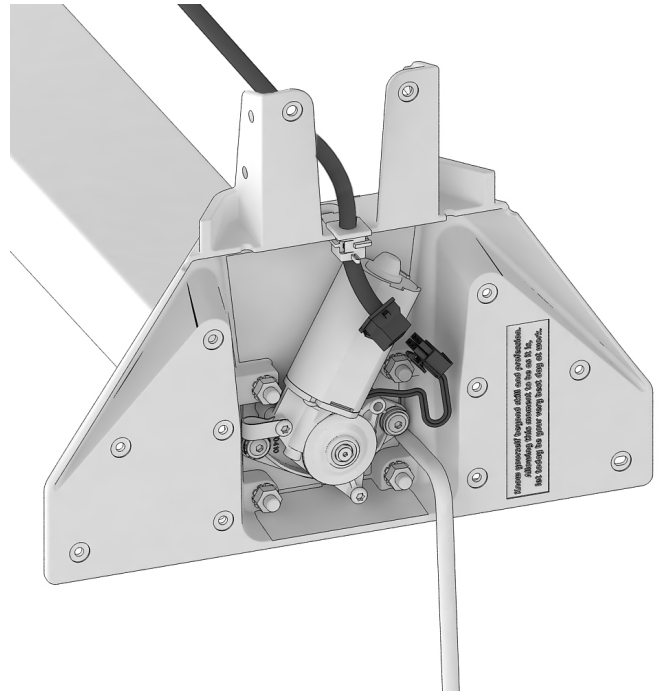
Allen Wrench
Size #2, #3, #4



Phillips-Recess Bit
Size #2

Step 1

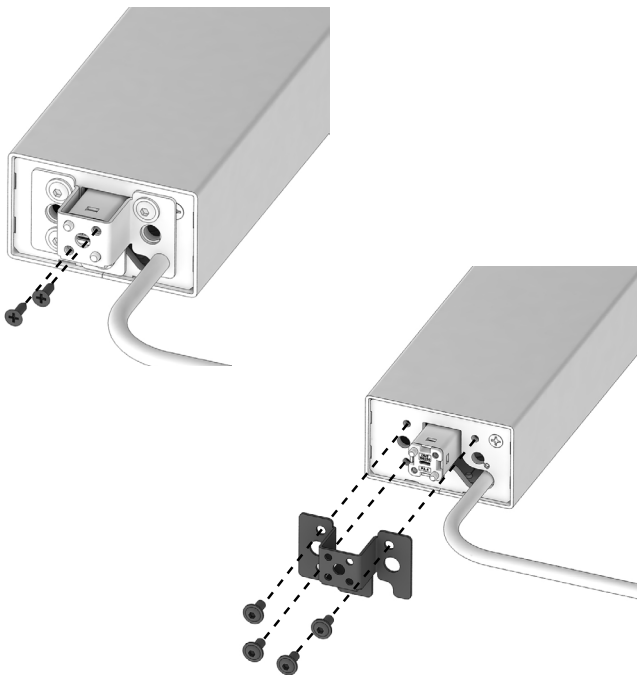
1.1 Remove the power cord by deep pressing the connector.



Step 2

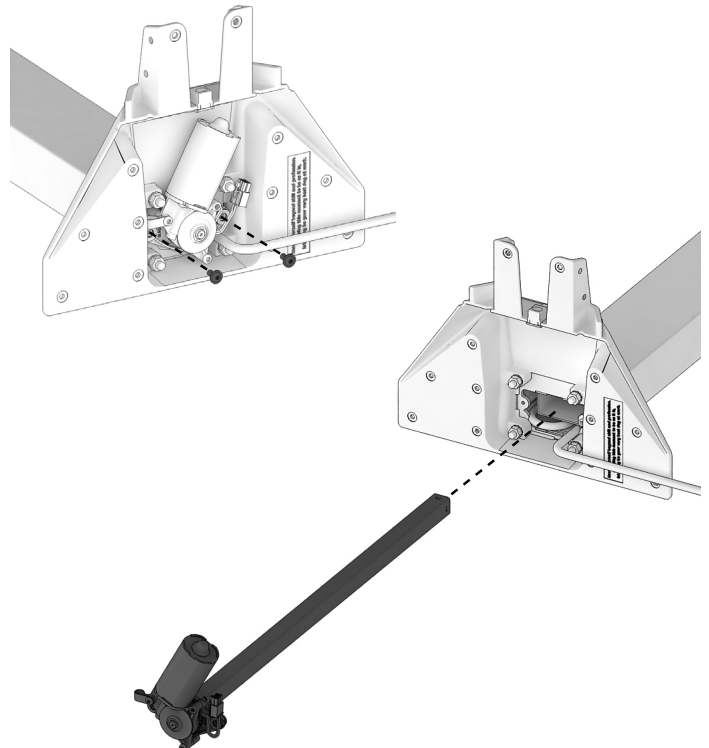
2.1 Turn around the leg and take off the bottom screws using Phillips #2.

2.2 Using Allen Wrench #4 remove the lower cage.

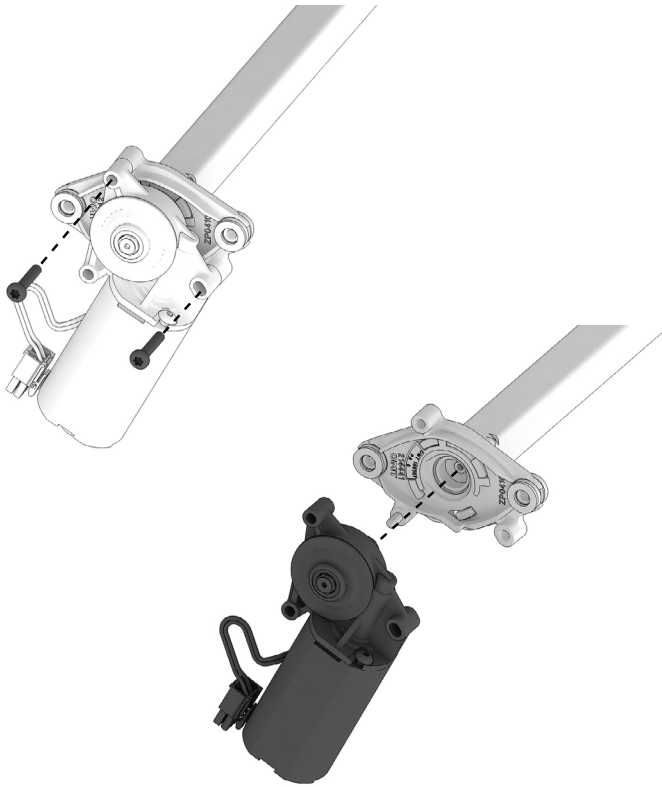


Step 3

3.1 Turn around the leg to top side and take out the motor assembly using Allen Wrench #3.



3.2 Then take the motor off using Torque Head #25.



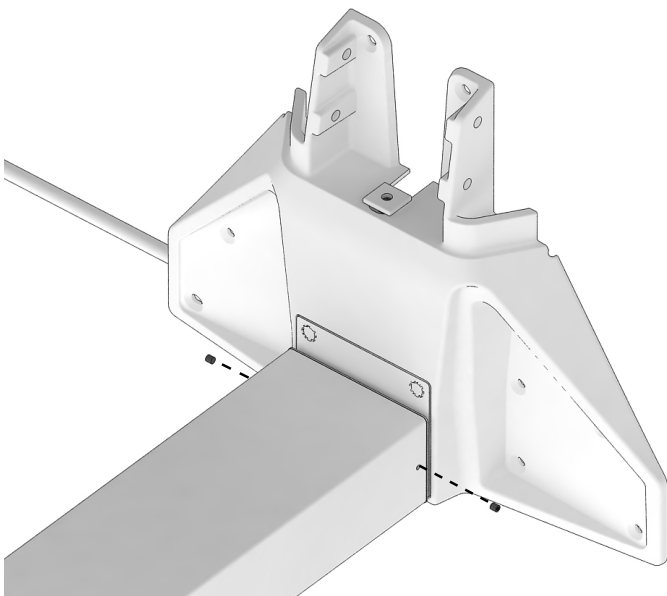
Step 4

4.1 Turn around the leg and take off the bottom screw using Phillips #2.



Step 5

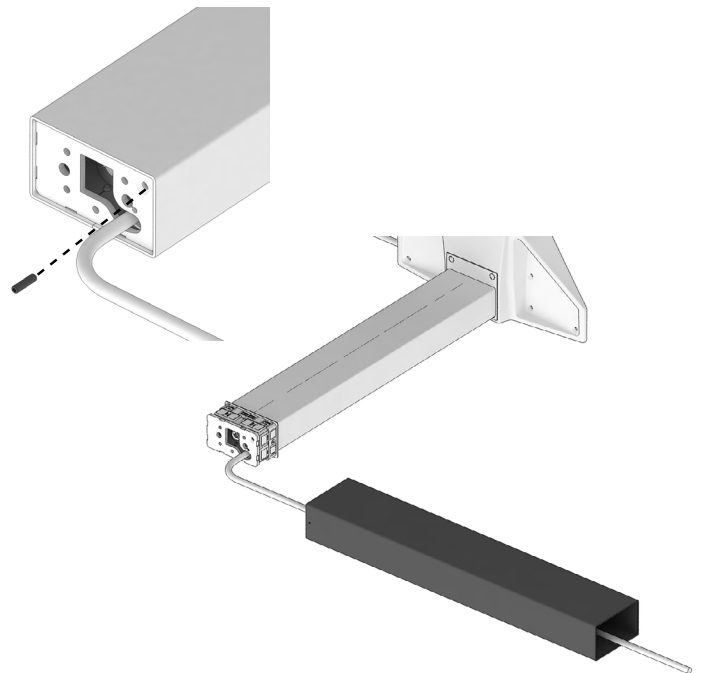
5.1 Remove the screws using Allen Wrench #2.



Step 6

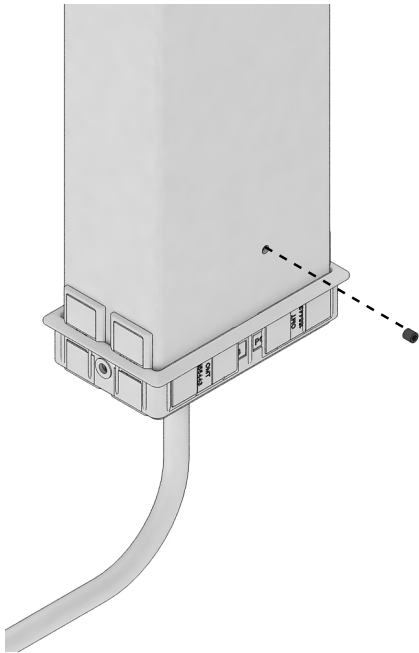
6.1 Using the Allen Wrench remove the set screw on the bottom of the leg which will release the lower cotrage.

6.2 Pull the cord through.



Step 7

7.1 Drill out the rivet and the inner cartridge will come out.



Step 8

8.1 Take out the casting using 1/2 inch socket wrench.

