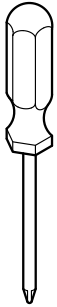
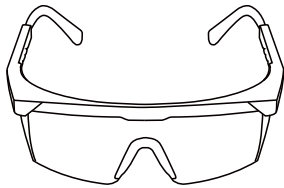




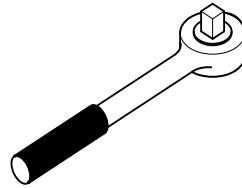
Tools Required:



Flat Screw Driver



Safety Glasses

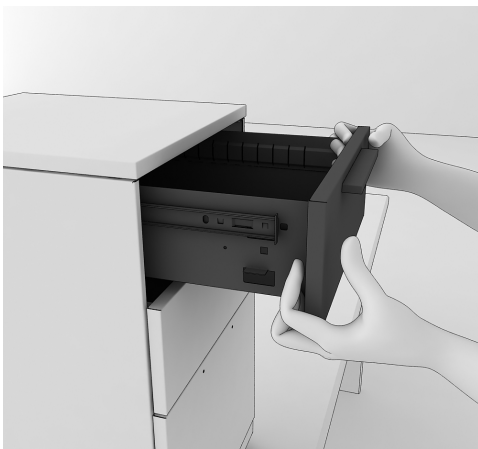


Ratchet Wrench

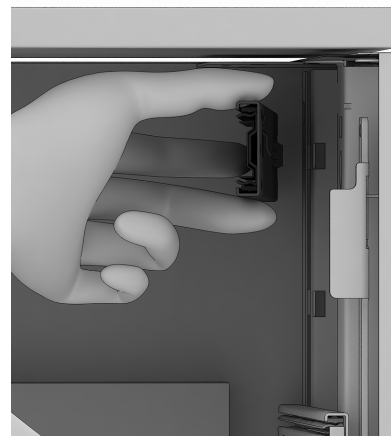
Materials Identification and Segregation:

Where possible, plastic components are marked with ASTM recycling codes. Use these codes to identify material type for recycling. Non marked components should be treated as mixed plastic. Ferrous metals can be identified using a small magnet for recycling. Non-ferrous metals should be separated and recycled separately.

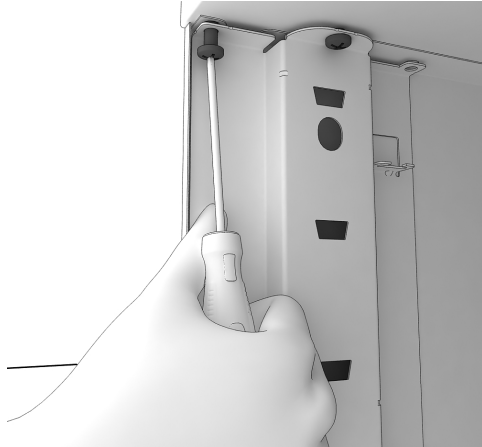
Steps:



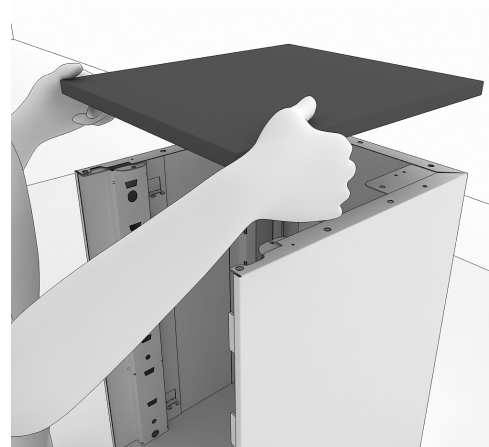
1. Pull the drawer and remove from the slider.
2. Repeat step 1 to remove rest of the drawers.



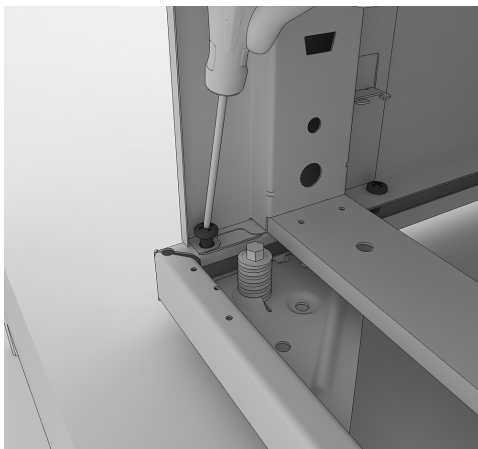
3. Disengage the slider and remove.
4. Repeat step 3 to remove rest of the sliders.



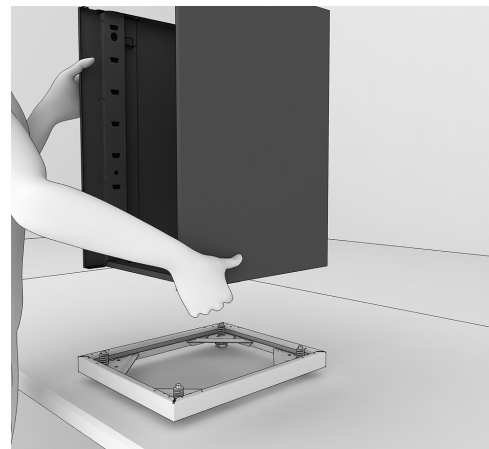
5. Using a phillip head screw driver remove all screws from body frame.



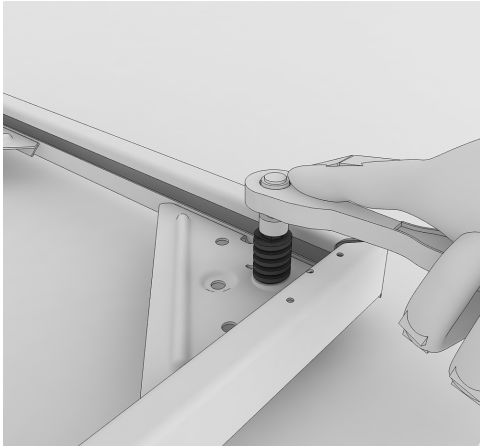
6. Remove top surface from body frame.



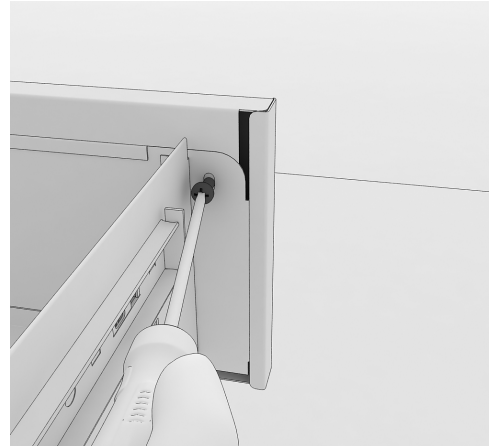
7. Using a phillip head screw driver remove screws from bottom frame.



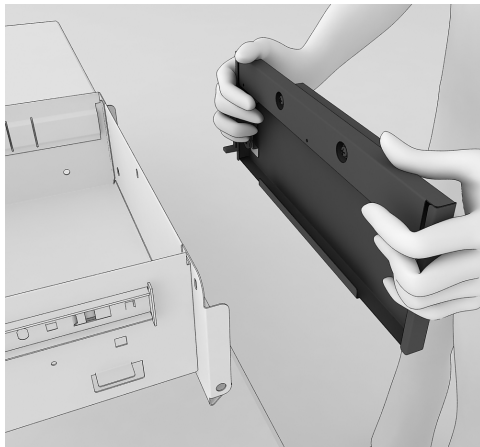
8. Remove the body frame.



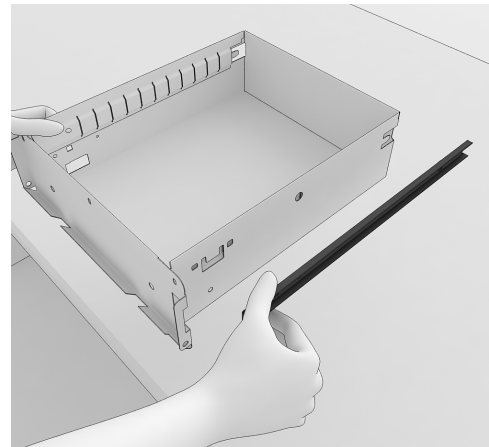
9. Using a socket wrench remove the glides from base frame.



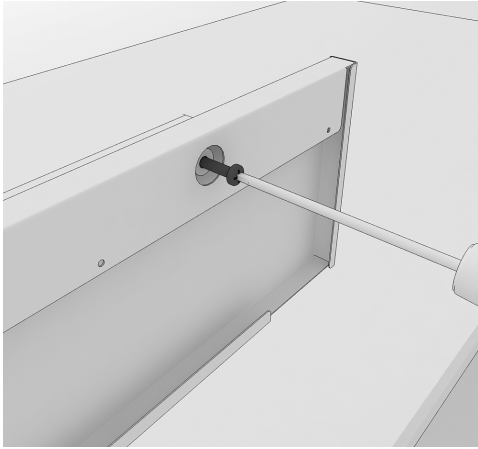
10. Using phillips head screw driver remove screws from drawer front.



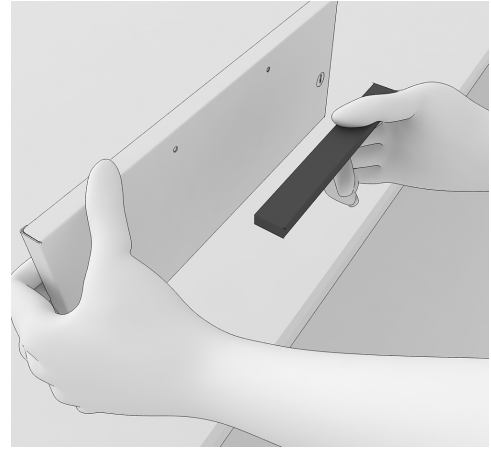
11. Remove the front drawer.



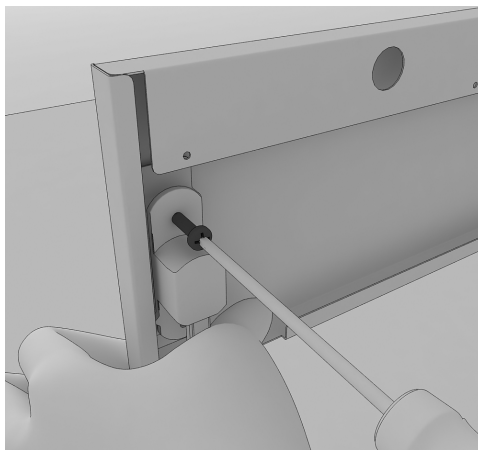
12. Remove the slide frame from drawer.



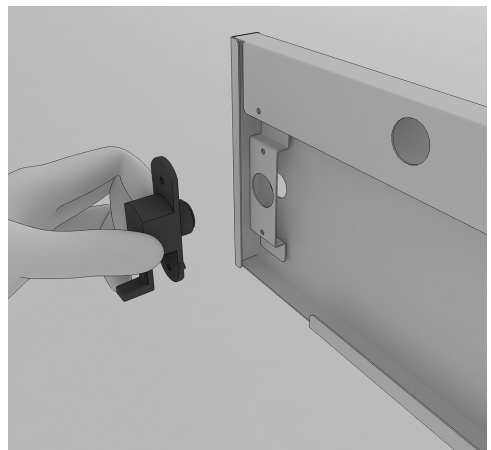
13. Using phillip head screw driver remove 2 screws from back side of front drawer.



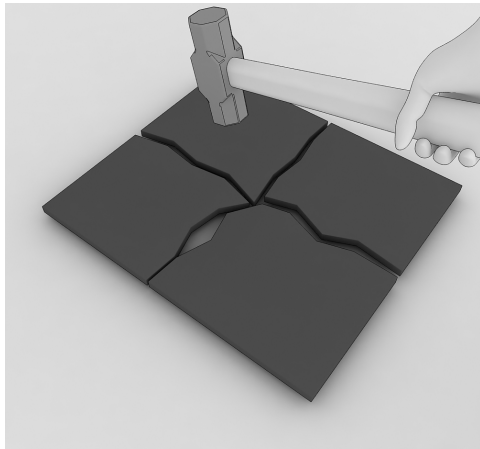
14. Remove the handle from front drawer.



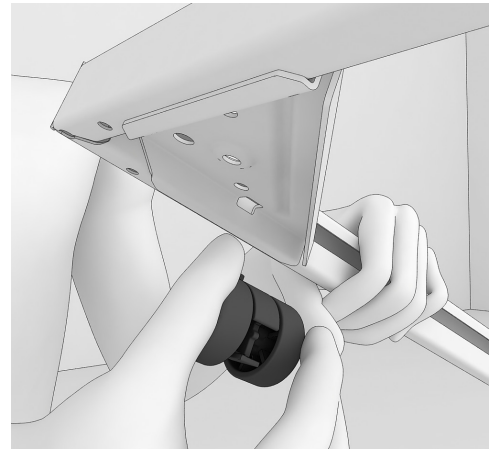
15. Using Phillip head screw driver remove 2 screws from lock.



16. Remove the lock from front drawer.



17. Using Sledge Hammer hit on the counterweights and break into pieces.



18. Hand pull the caster from base and remove.