

HermanMiller

Vantum Gaming Chair installation instructions



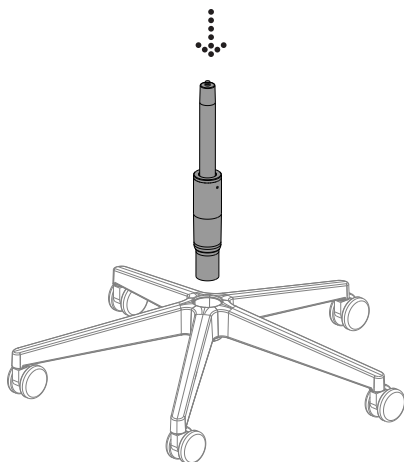
How to assemble your chair.

Notice:

Some of the parts have been wrapped to protect them during delivery. Remove the plastic wrap before assembling the chair.

Step 1

Place base on the floor and insert cylinder.



Parts included



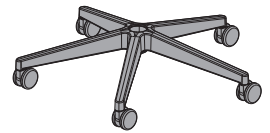
Headrest



Chairs



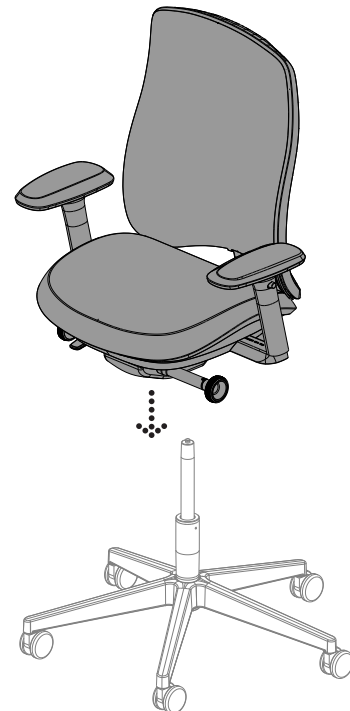
Cylinder



Base

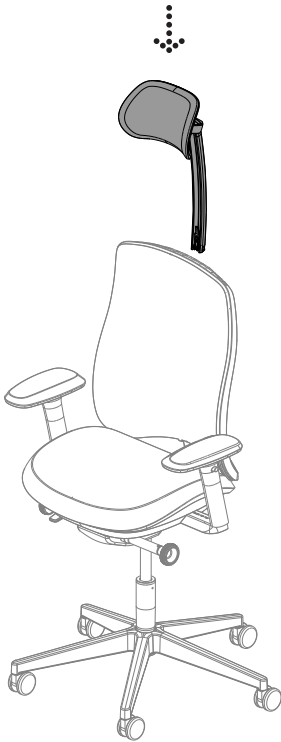
Step 2

Place the chair on to the cylinder.



Step 3

Insert headrest into the chair's back slot.



Step 4

Sit firmly on the chair several times to complete the installation.



View disassembly instruction for recycling



<https://www.hermanmiller.co.uk/services/search/productinstructions?getDoc=1BVRRX>