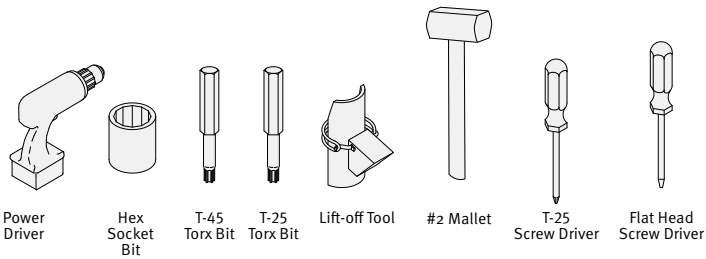




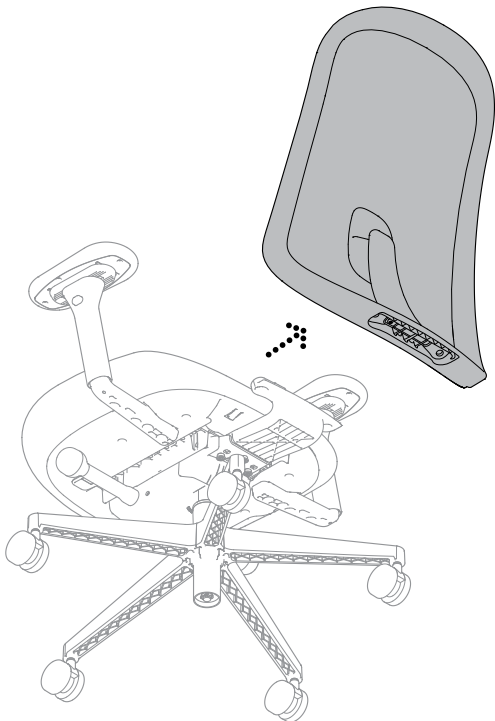
### How to disassemble your chair.

#### Tools Required



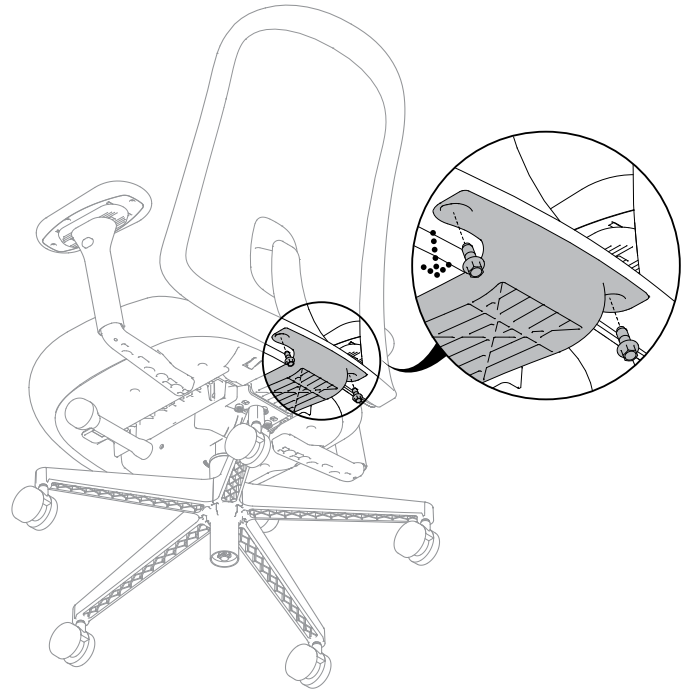
#### Step 2

2.1 Takeout the back frame assembly from the chair.



#### Step 1

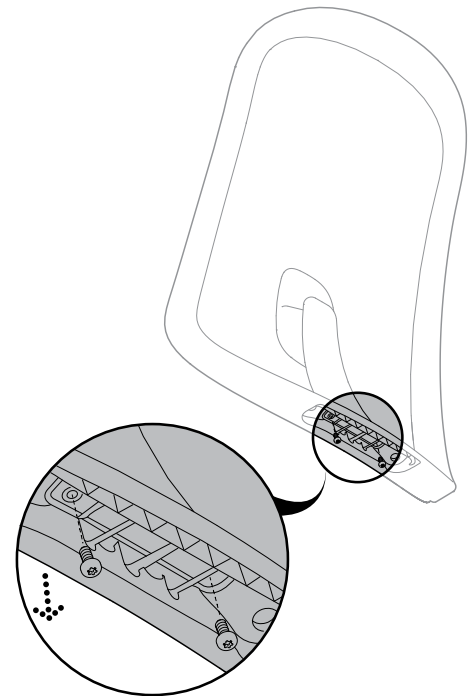
1.1 Loosen the hex flange bolt to remove the back frame assembly using an 8mm hex socket bit.



#### Step 3

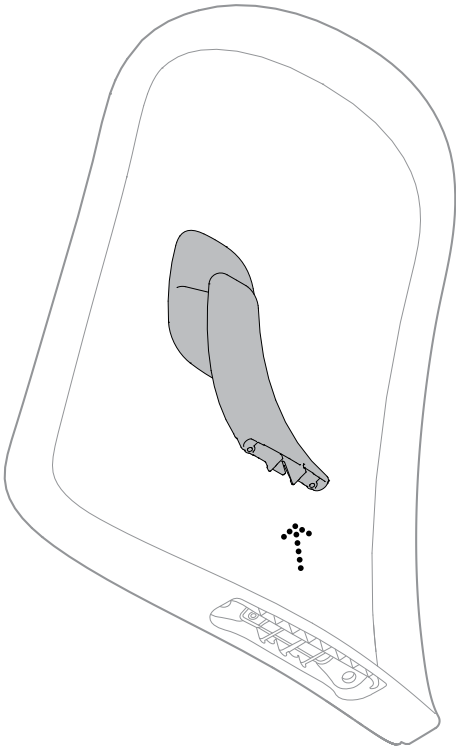
3.1 Remove the sacral screws from the back frame assembly using a T-25 screw driver.

Note: For No Lumbar Cap, follow step 5.



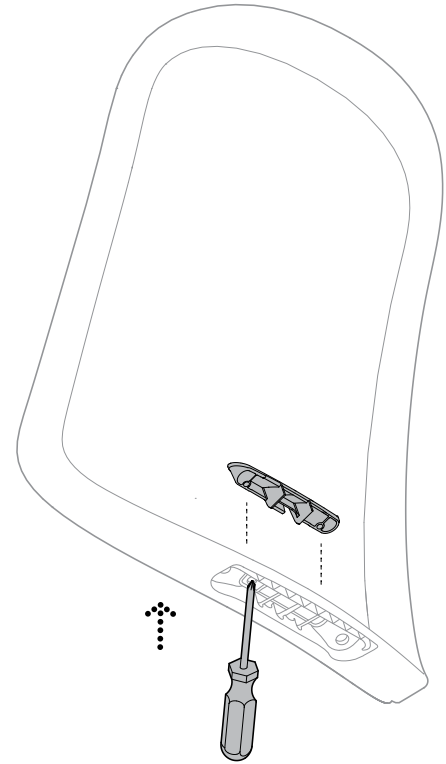
## Step 4

4.1 Remove the sacral from the back frame assembly.



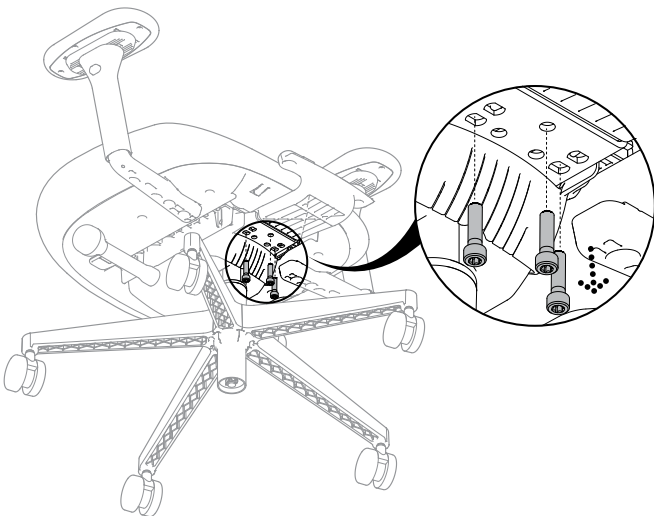
## Step 5

5.1 Insert a screw driver through the screw hole and push the no-lumbar cap out from the bottom of the back.



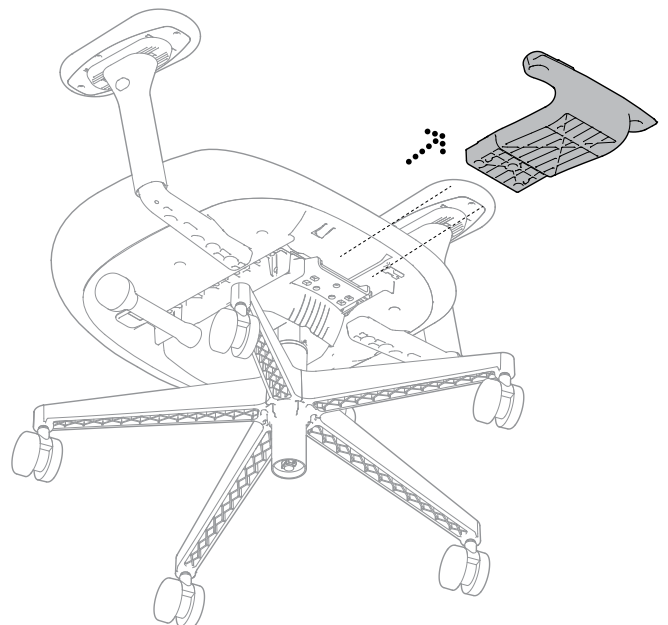
## Step 6

6.1 Unscrew the 3 bolts using T-45 torx bit.



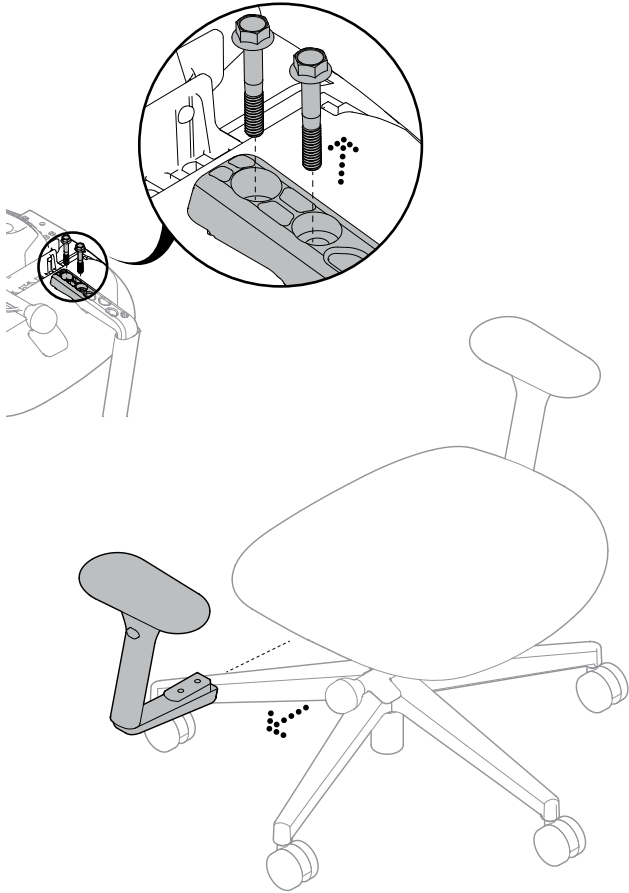
## Step 7

7.1 Remove the J-bar from tilt assembly.



## Step 8

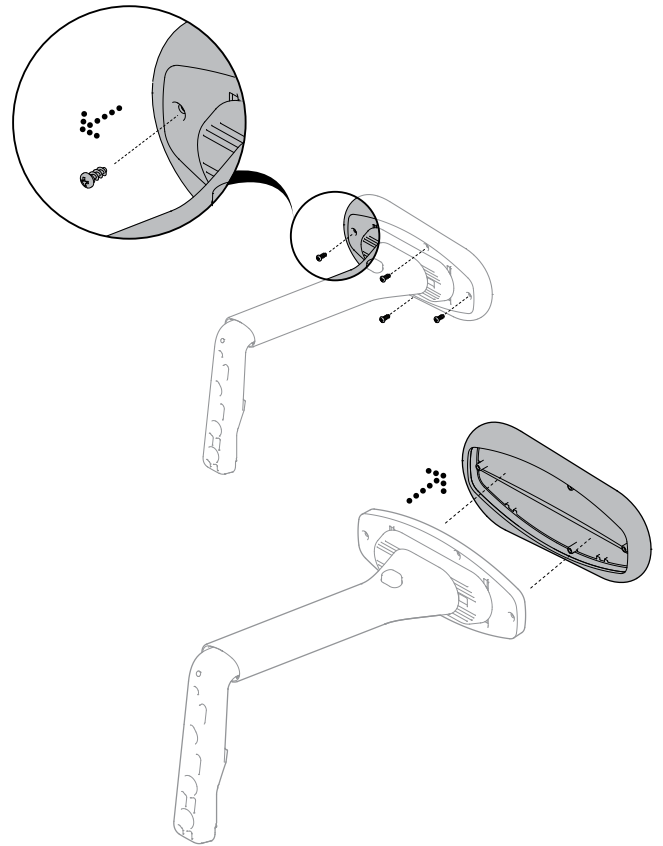
8.1 Loosen the hex flange bolt to remove the arms using an 8mm hex socket bit.



## Step 9

9.1 Using a Phillips screw driver unscrew all screws.

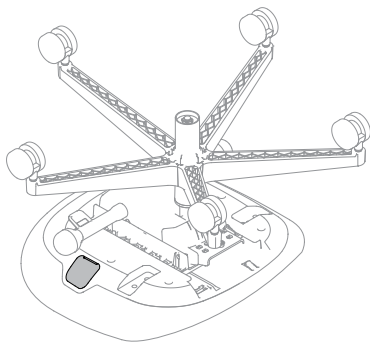
9.2 Remove arm pad.



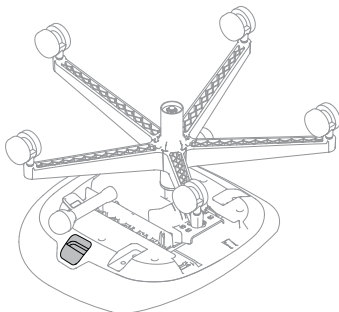
## Step 10

10.1 If it is fixed seat plug, follow steps from 11 to 13.

10.2 If it is adjustable seat handle, follow steps from 14 to 18.



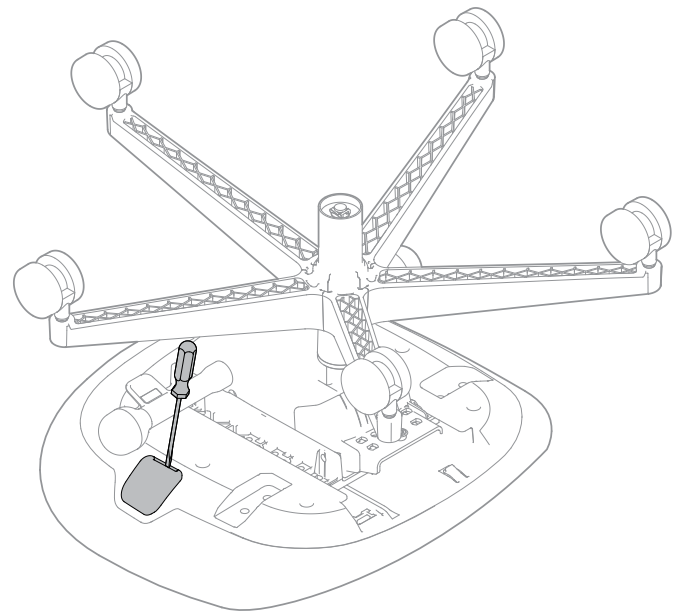
Fixed Seat Plug



Adjustable Seat Handle

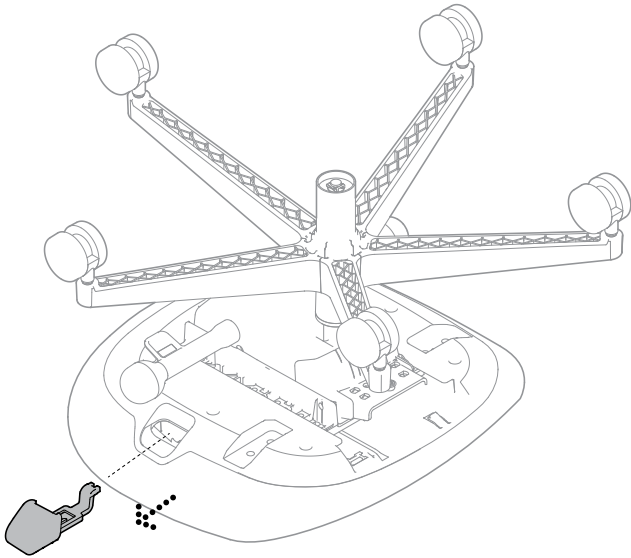
## Step 11

11.1 Unsnap the fixed seat plug with screw driver in slot.



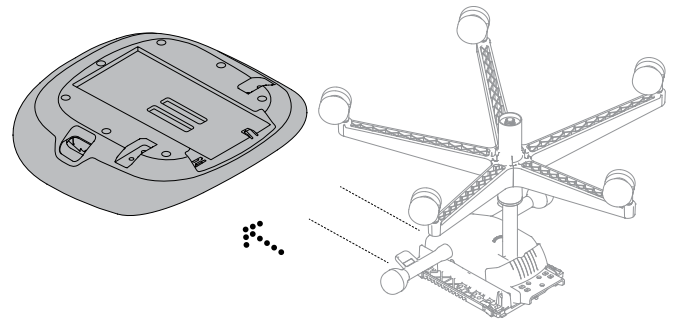
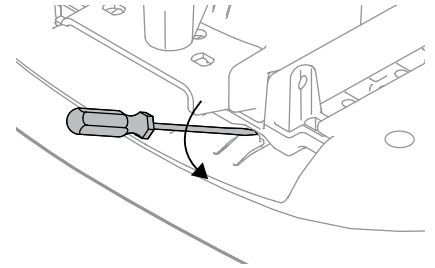
## Step 12

12.1 Takeout the fixed seat plug from the seat assembly.



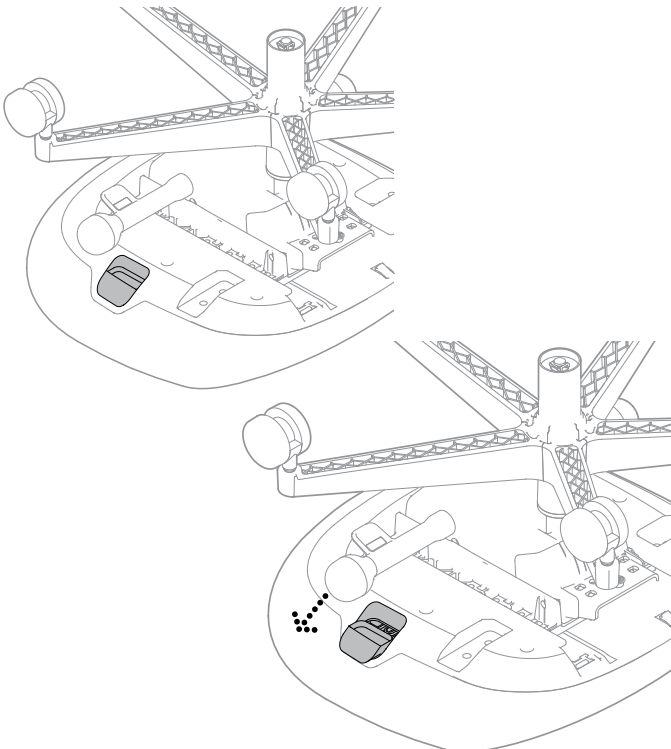
## Step 13

13.1 Depress the retainer stop using a flat head screw driver and slide the seat assembly away from the tilt assembly.



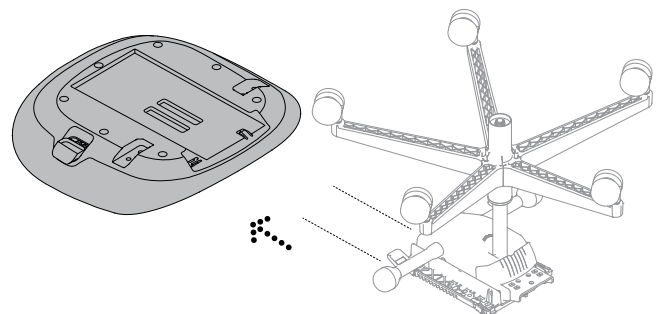
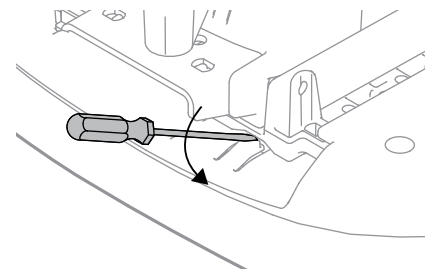
## Step 14

14.1 Release the adjustable seat handle from the seat assembly.



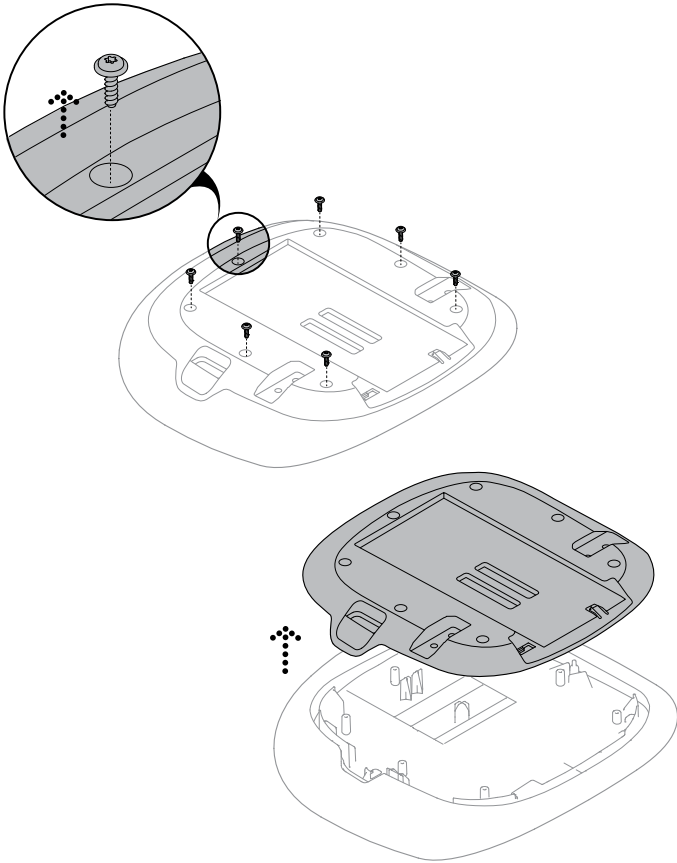
## Step 15

15.1 Depress the retainer stop using a flat head screw driver and slide the seat assembly away from the tilt assembly.



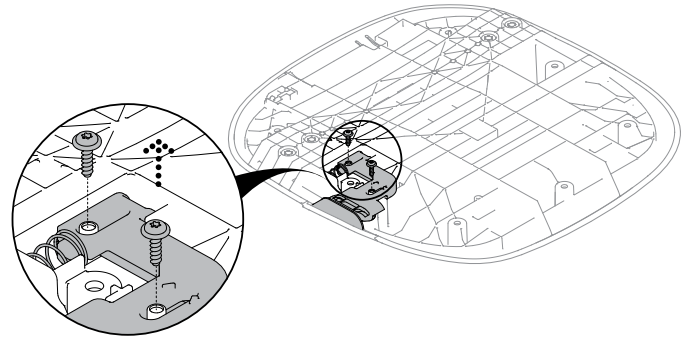
### Step 16

16.1 Unscrew the T-25 torx screws and take out the seat pan from cushion.



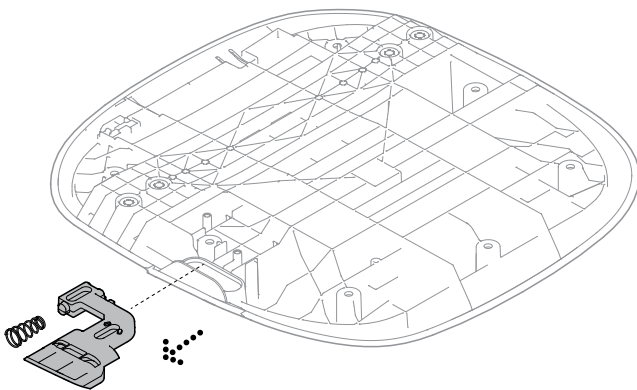
### Step 17

17.1 Flip the seat pan and unscrew the T-25 torx screws.



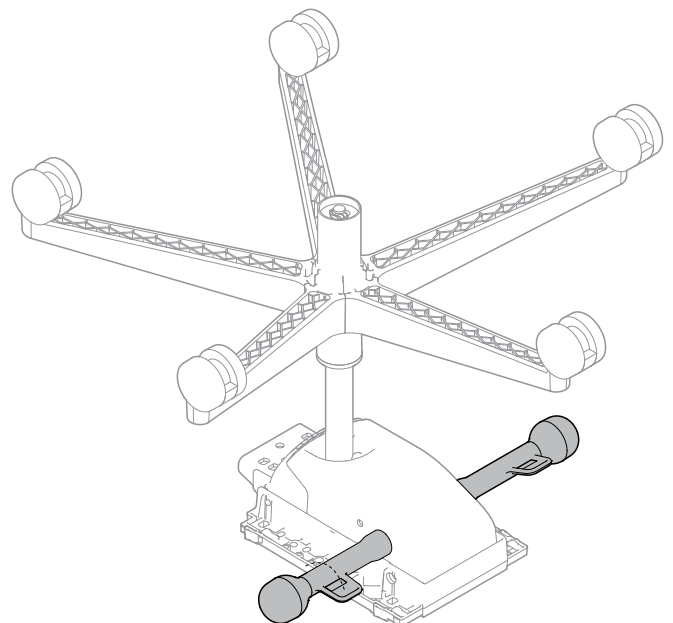
### Step 18

18.1 Remove the adjustable seat handle and spring.



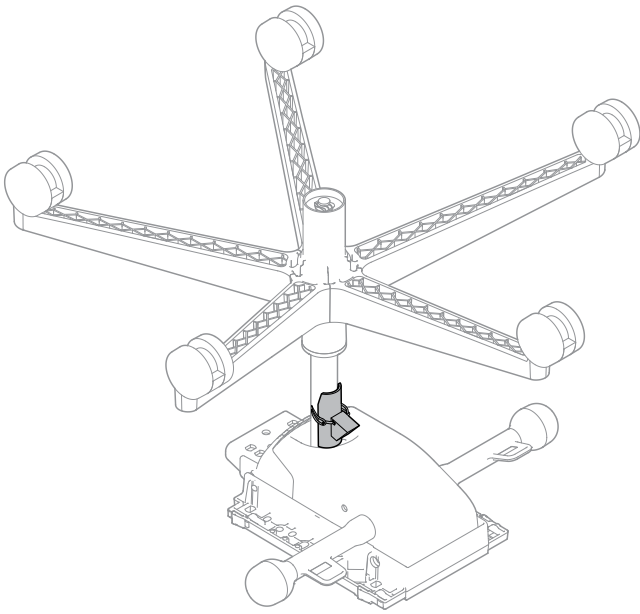
### Step 19

19.1 Turn lever counterclockwise to activate the cylinder.



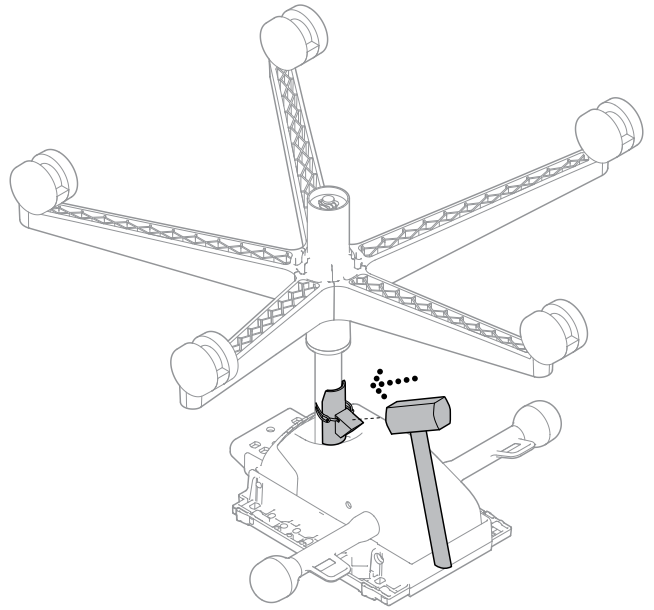
## Step 20

20.1 Place the lift-off tool on the top edge of the cylinder.



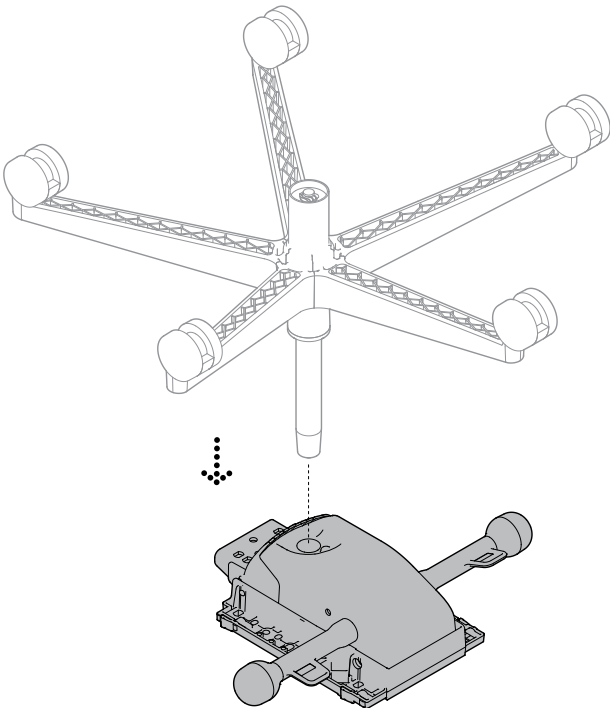
## Step 21

21.1 Hit the lift-off tool with mallet.



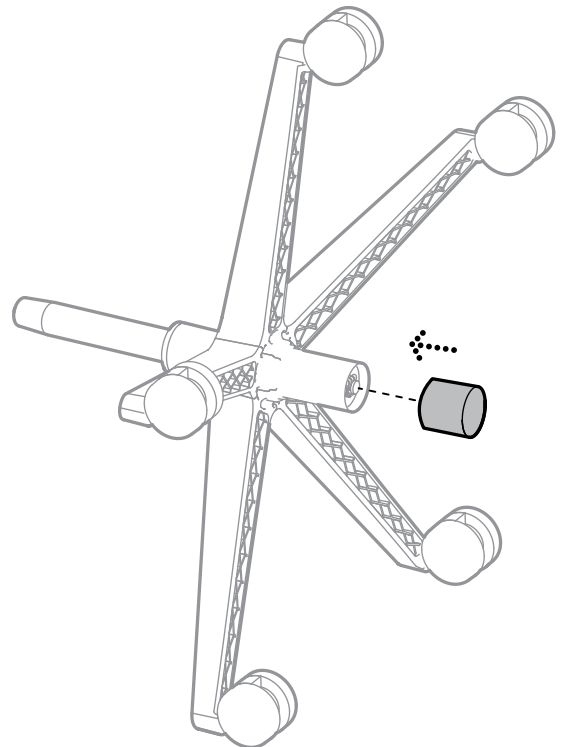
## Step 22

22.1 Remove the tilt control from cylinder.



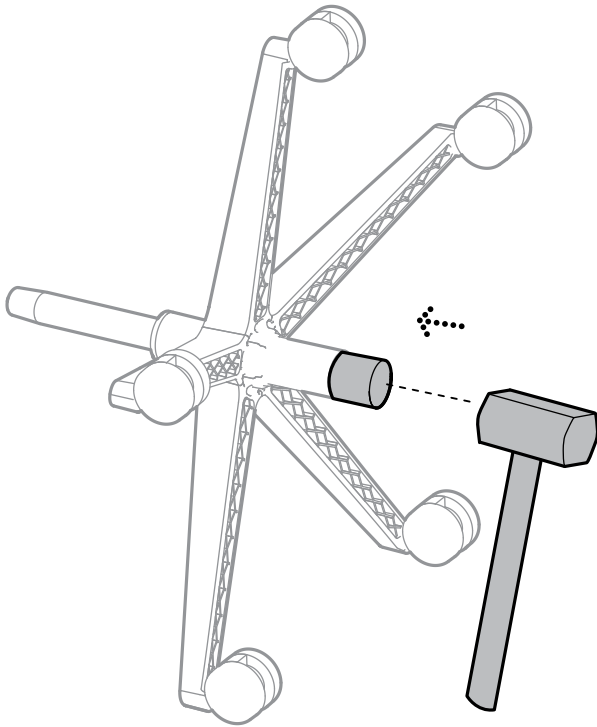
## Step 23

23.1 Place nylon cap over the end of cylinder.



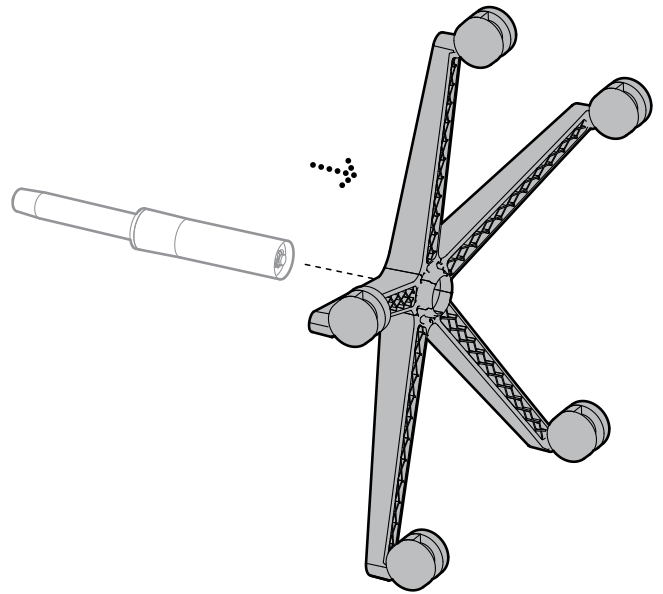
### Step 24

24.1 Strike using a mallet on nylon cap to release the base from cylinder.



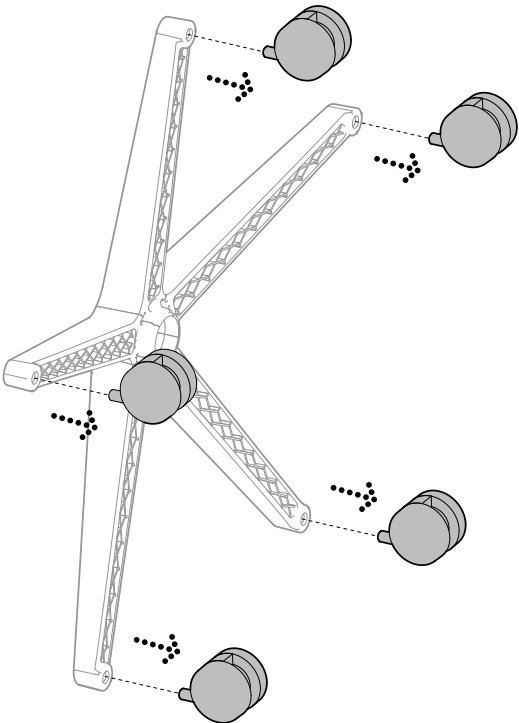
### Step 25

25.1 Slide base off cylinder.



### Step 26

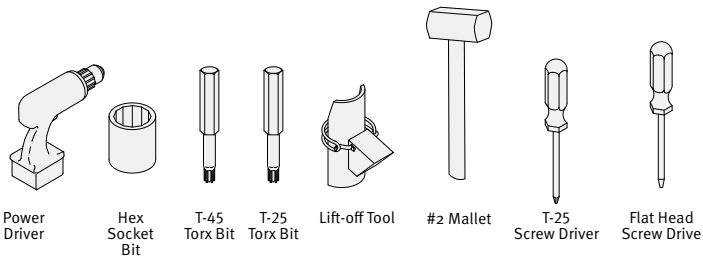
26.1 Hold base and pull hard to remove caster from base.





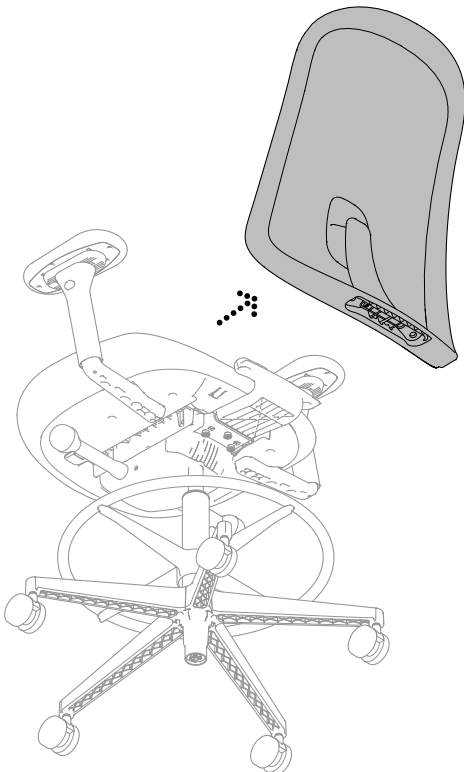
### How to disassemble your stool.

#### Tools Required



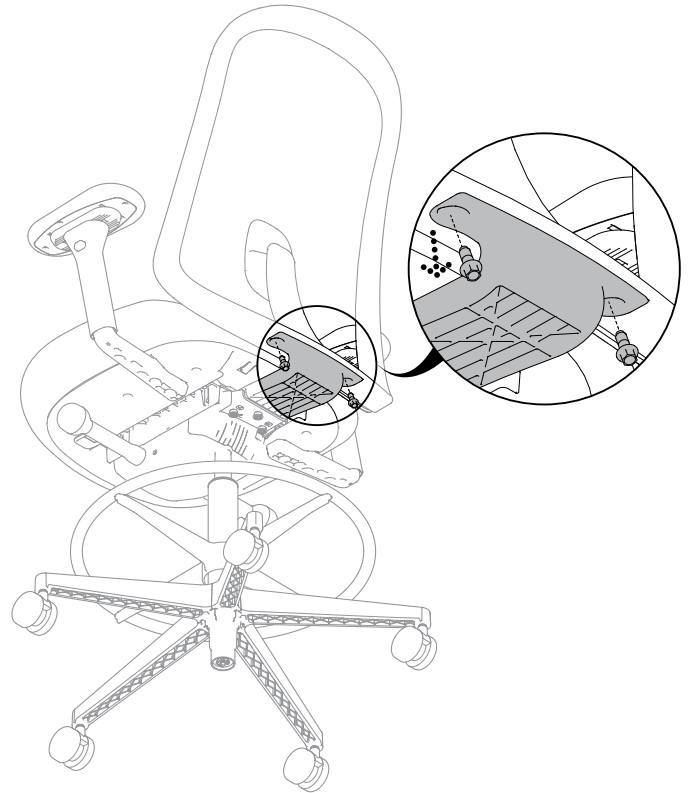
#### Step 2

2.1 Takeout the back frame assembly from the chair.



#### Step 1

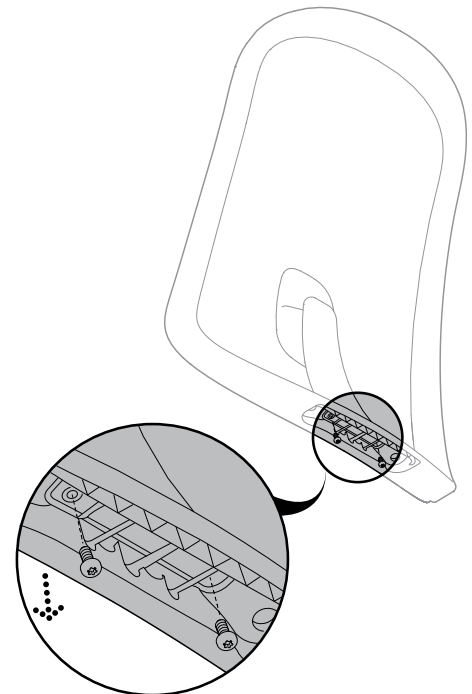
1.1 Loosen the hex flange bolt to remove the back frame assembly using an 8mm hex socket bit.



#### Step 3

3.1 Remove the sacral screws from the back frame assembly using a T-25 screw driver.

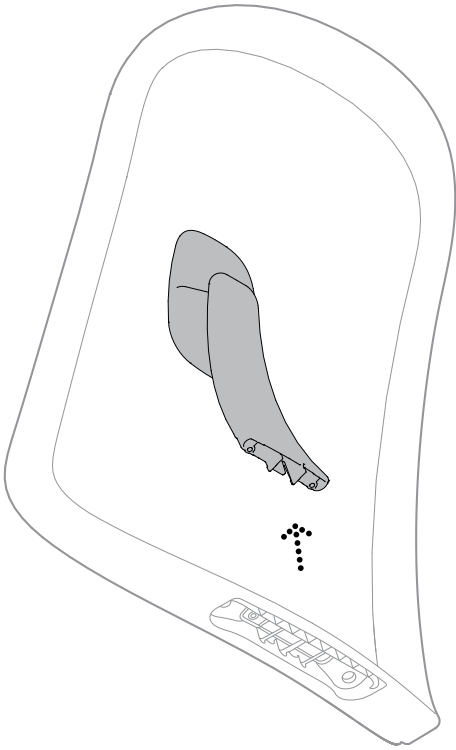
Note: For No Lumbar Cap, follow step 5.





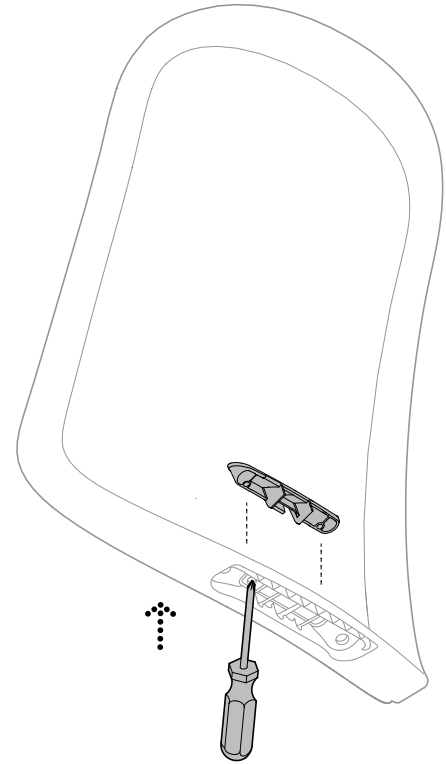
## Step 4

4.1 Remove the sacral from the back frame assembly.



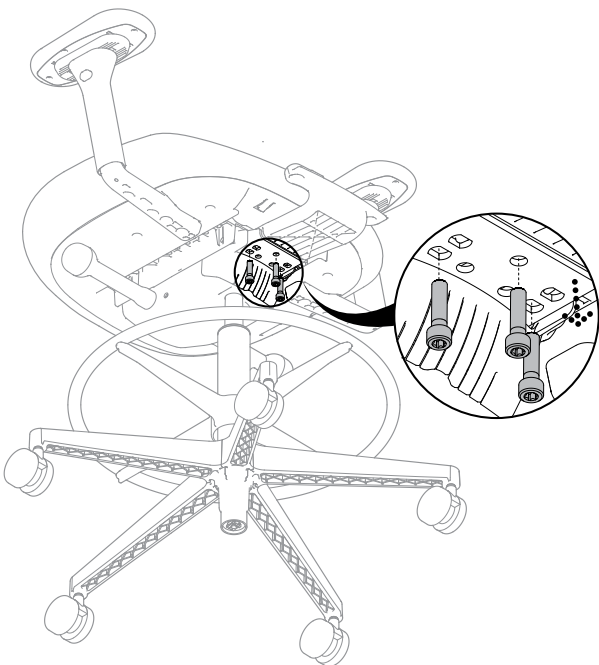
## Step 5

5.1 Insert a screw driver through the screw hole and push the no-lumbar cap out from the bottom of the back.



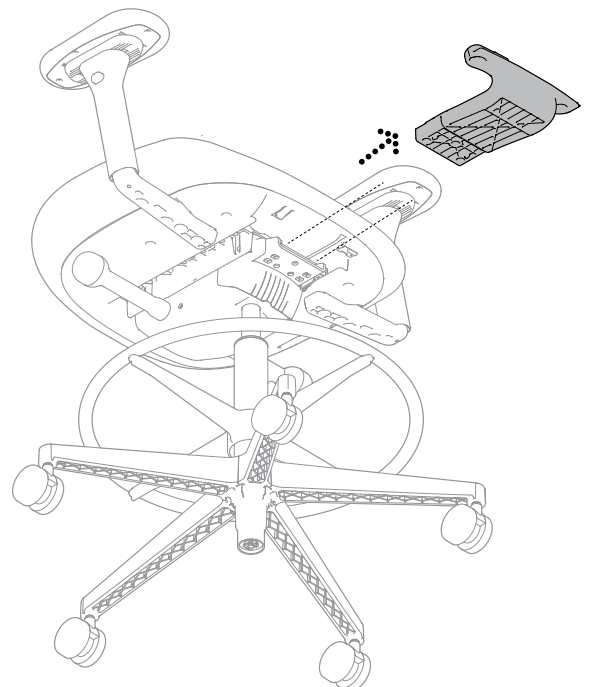
## Step 6

6.1 Unscrew the 3 bolts using T-45 torx bit.



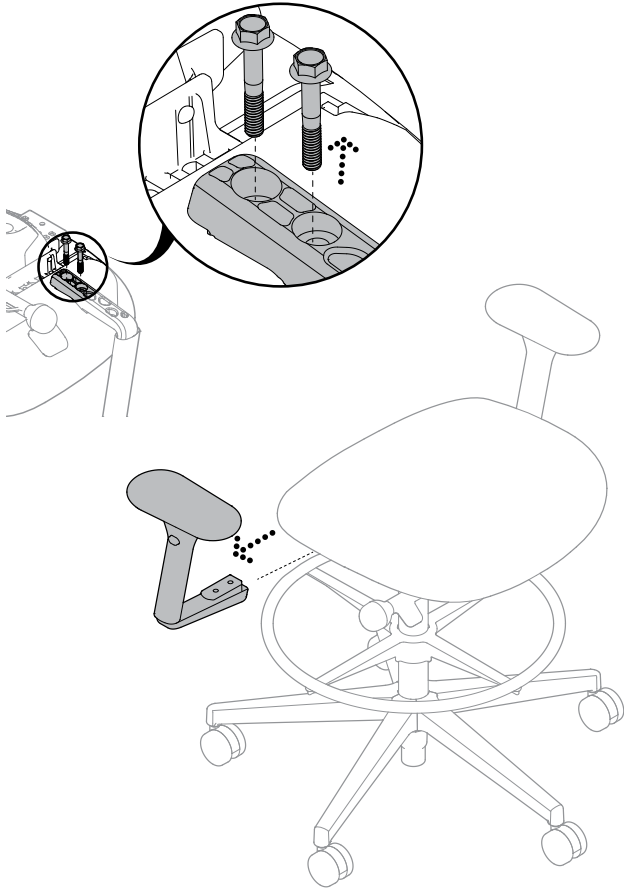
## Step 7

7.1 Remove the J-bar from tilt assembly.



## Step 8

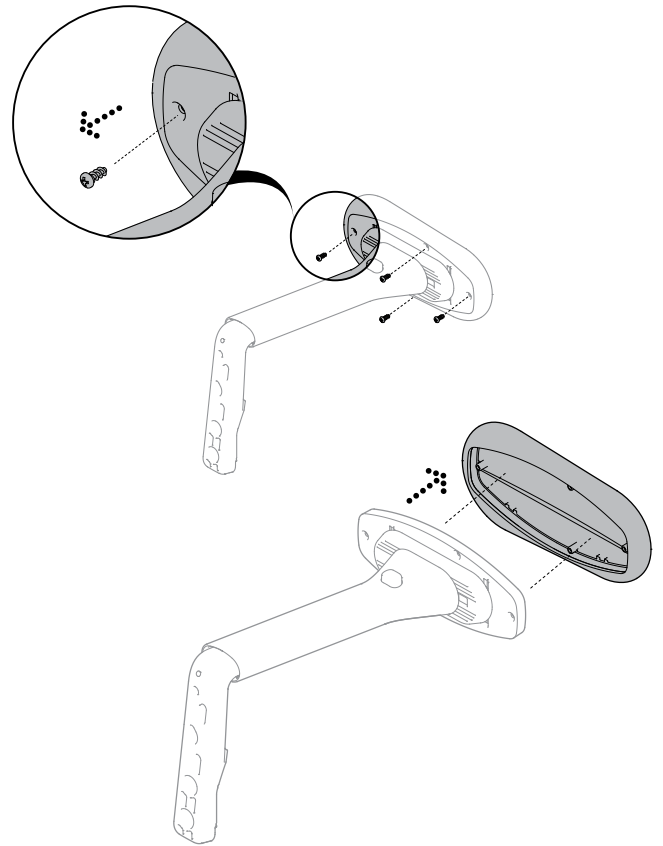
8.1 Loosen the hex flange bolt to remove the arms using an 8mm hex socket bit.



## Step 9

9.1 Using a Phillips screw driver unscrew all screws.

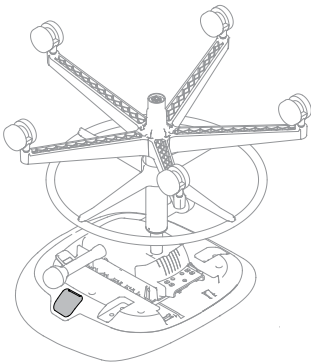
9.2 Remove arm pad.



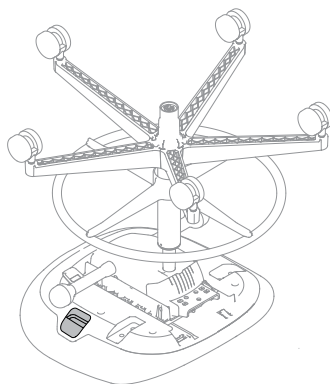
## Step 10

10.1 If it is fixed seat plug, follow steps from 11 to 13.

10.2 If it is adjustable seat handle, follow steps from 14 to 18.



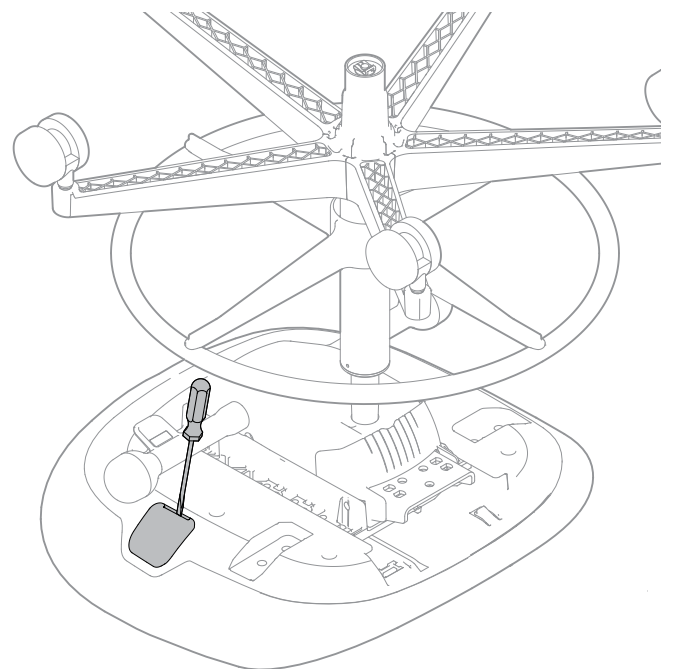
**Fixed Seat Plug**



**Adjustable Seat Handle**

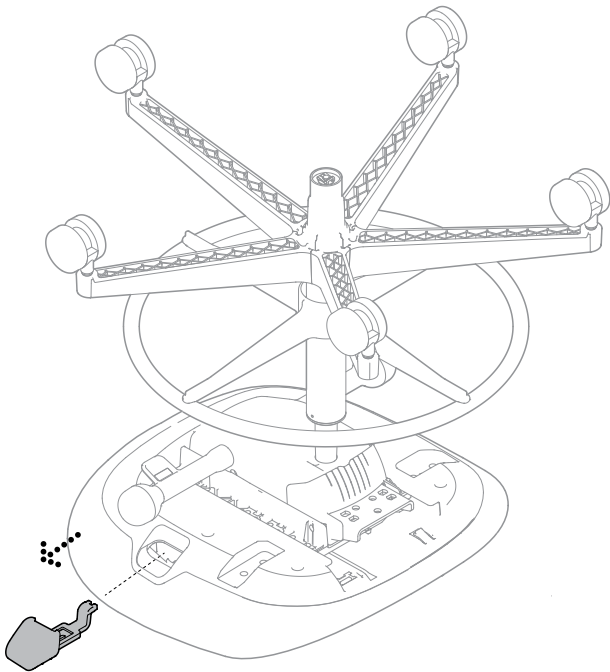
## Step 11

11.1 Unsnap the fixed seat plug with screw driver in slot.



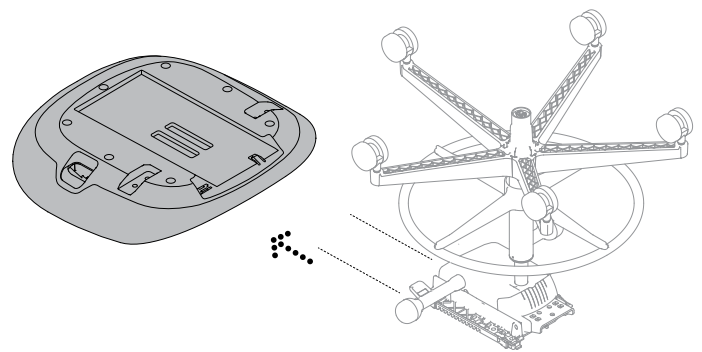
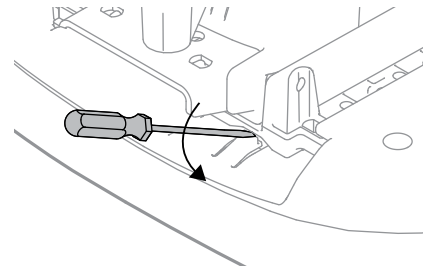
## Step 12

12.1 Takeout the fixed seat plug from the seat assembly.



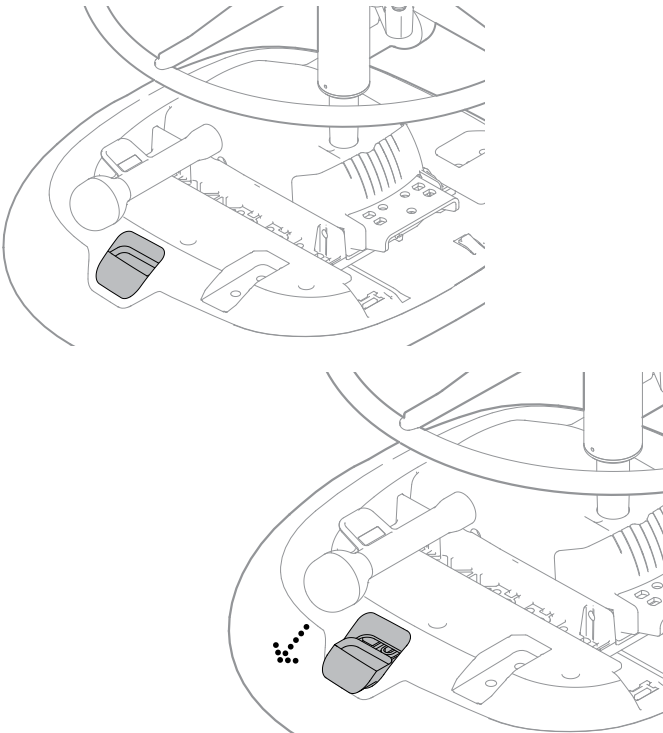
## Step 13

13.1 Depress the retainer stop using a flat head screw driver and slide the seat assembly away from the tilt assembly.



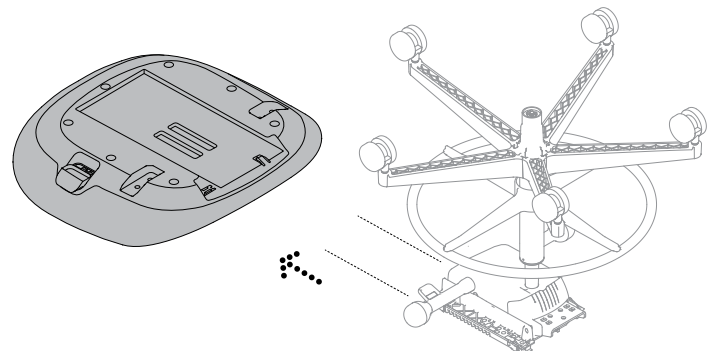
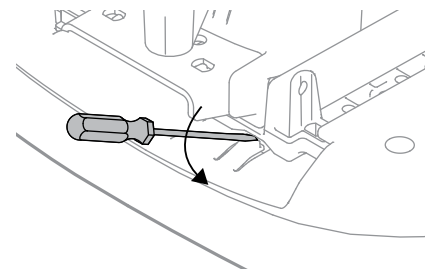
## Step 14

14.1 Release the adjustable seat handle from the seat assembly.



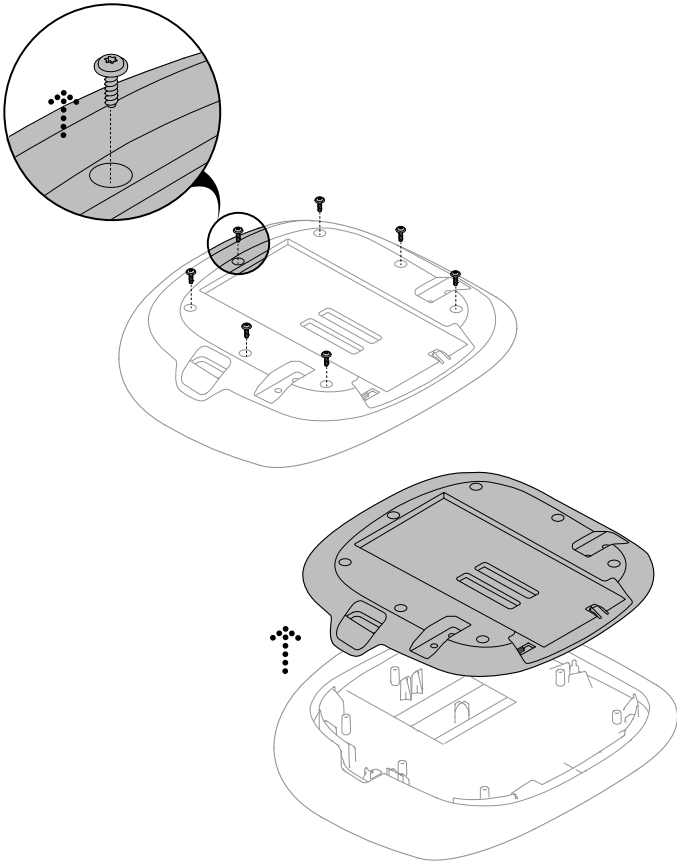
## Step 15

15.1 Depress the retainer stop using a flat head screw driver and slide the seat assembly away from the tilt assembly.



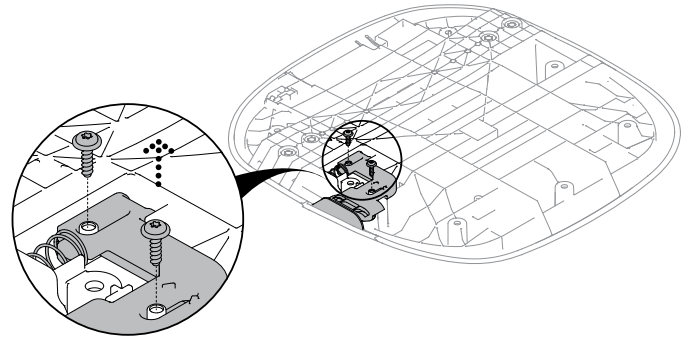
### Step 16

16.1 Unscrew the T-25 torx screws and take out the seat pan from cushion.



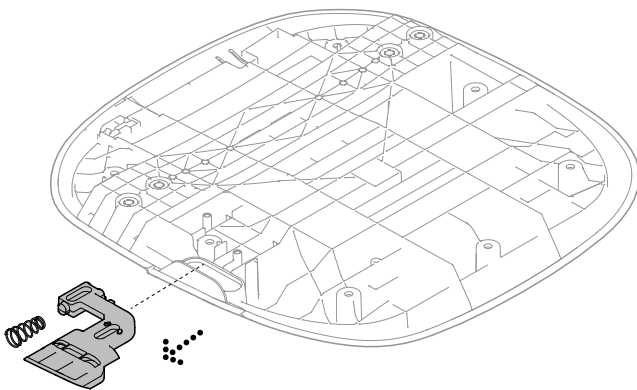
### Step 17

17.1 Flip the seat pan and unscrew the T-25 torx screws.



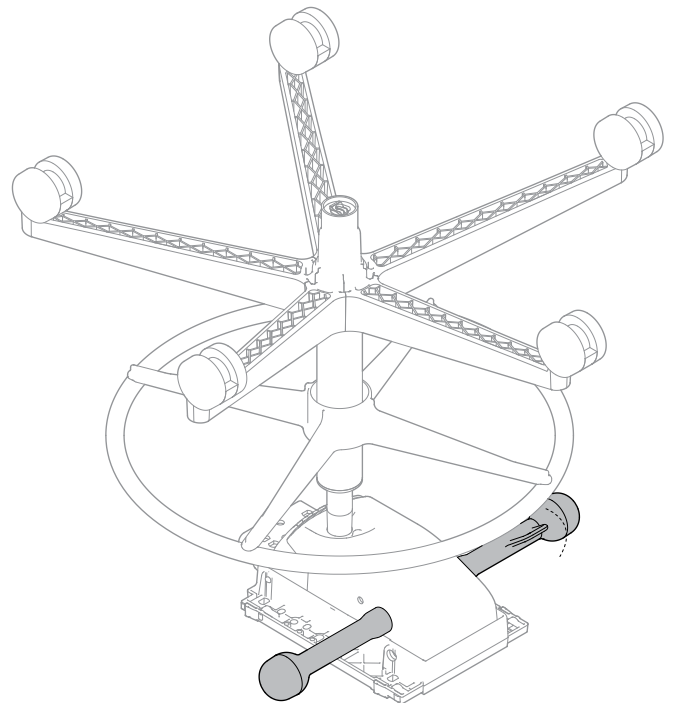
### Step 18

18.1 Remove the adjustable seat handle and spring.



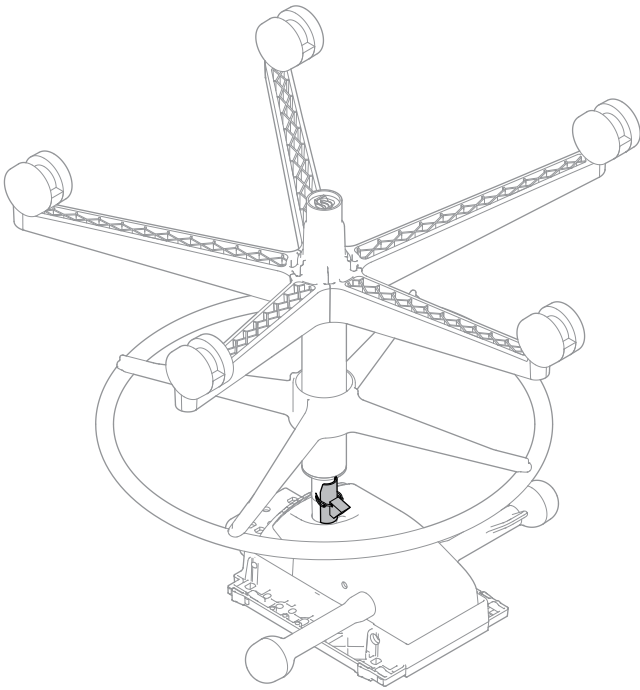
### Step 19

19.1 Turn lever counterclockwise to activate the cylinder.



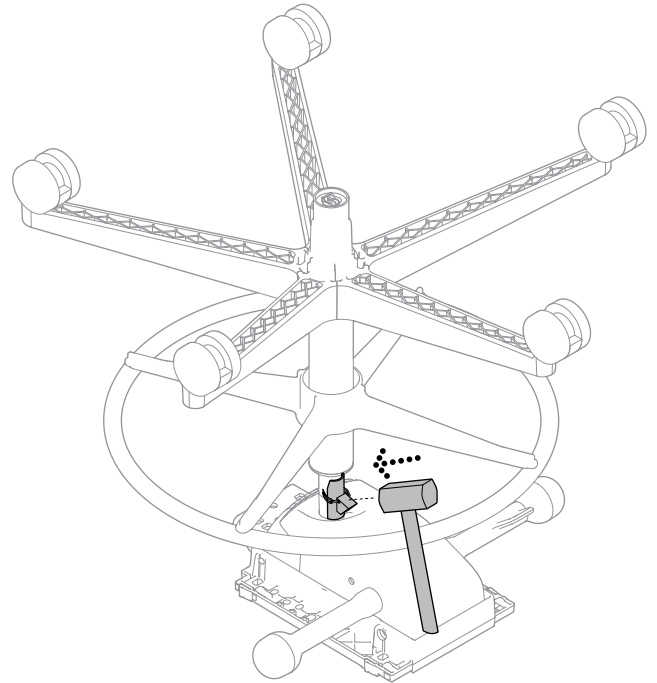
## Step 20

20.1 Place the lift-off tool on the top edge of the cylinder.



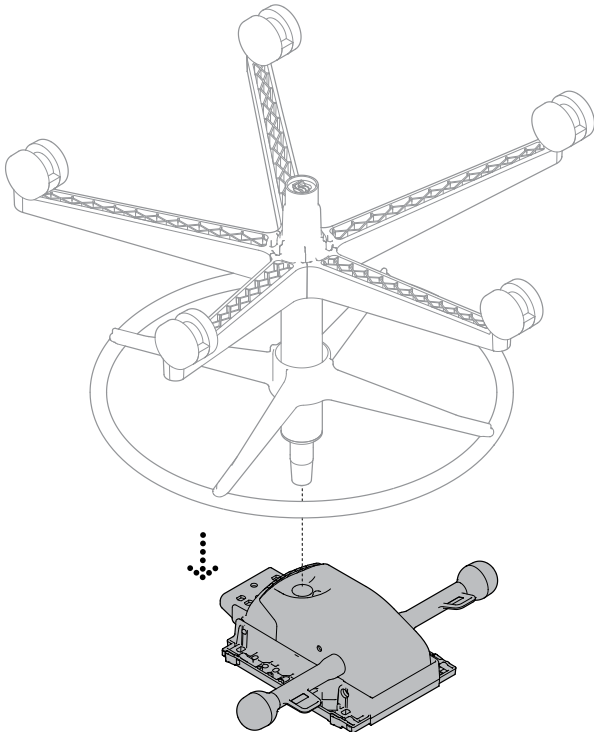
## Step 21

21.1 Hit the lift-off tool with mallet.



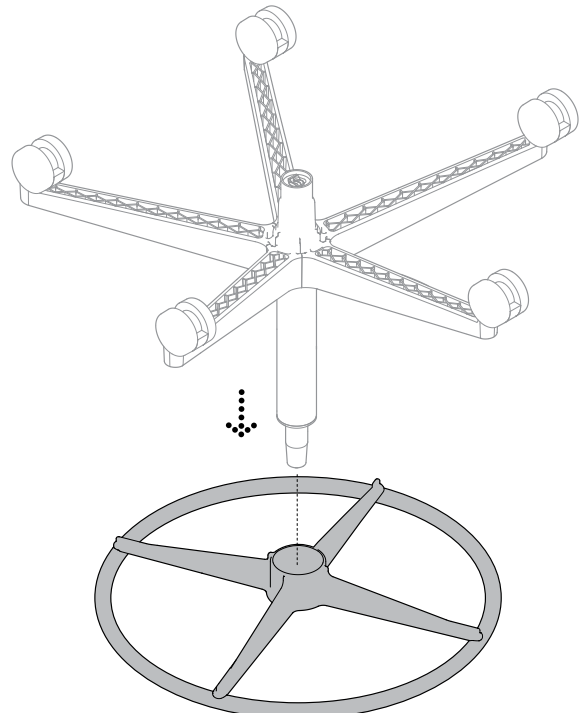
## Step 22

22.1 Remove the tilt control from cylinder.



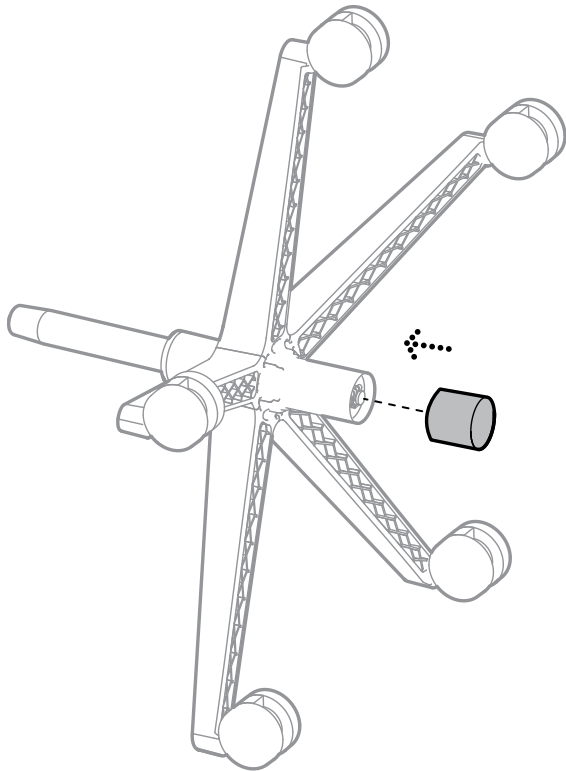
## Step 23

23.1 Remove the footing from cylinder.



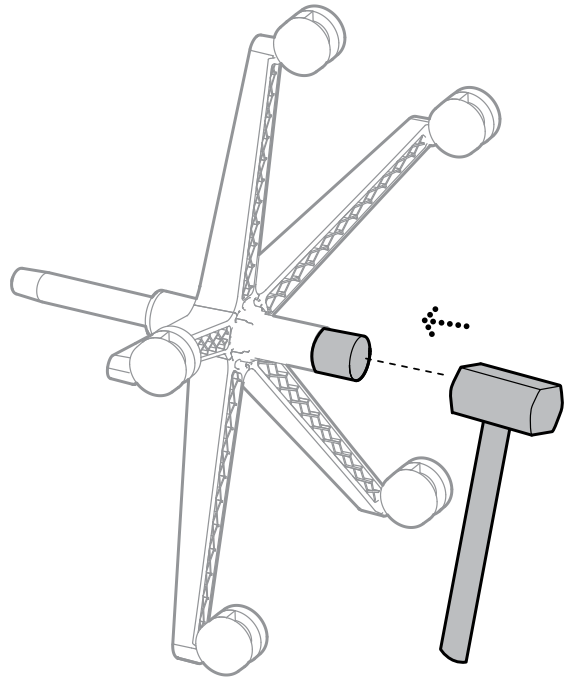
### Step 24

24.1 Place nylon cap over the end of cylinder.



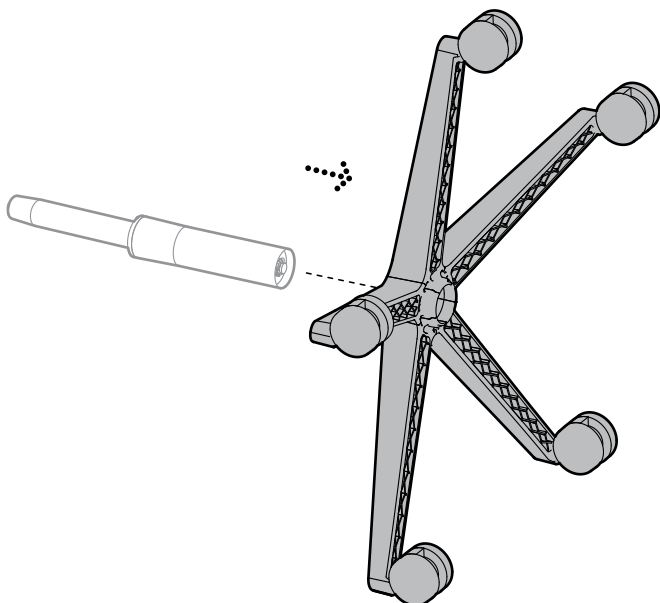
### Step 25

25.1 Strike using a mallet on nylon cap to release the base from cylinder.



### Step 26

26.1 Slide base off cylinder.



### Step 27

27.1 Hold base and pull hard to remove caster from base.

