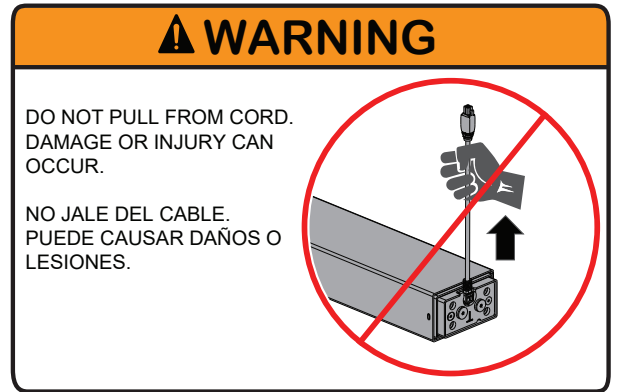


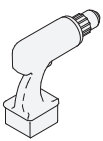
HermanMiller

Motia™ Sit-to-Stand Table Electric (Single Stage) Leg Disassembly Instructions

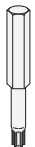


How to disassemble your table leg.

Tools Required



Power Driver



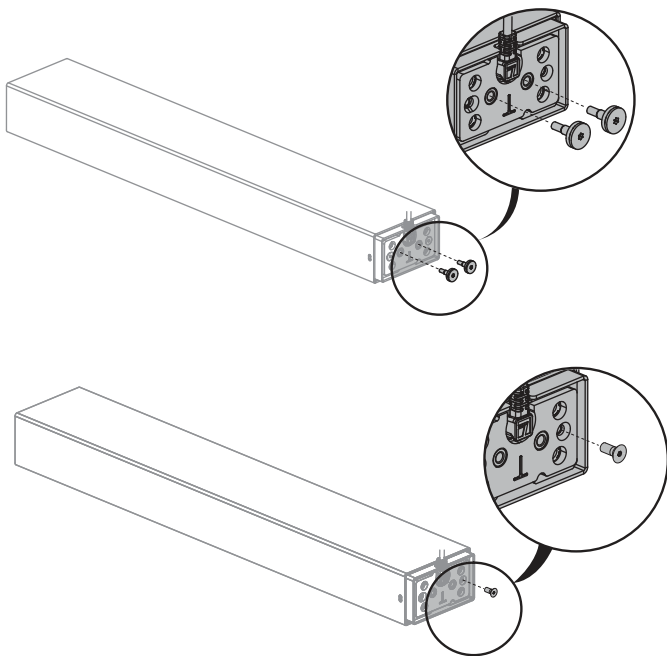
T-20 Bit



T-10 Bit

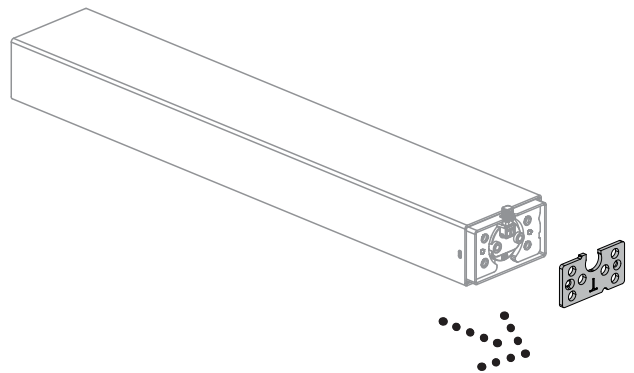
Step 1

1.1 Remove the screws using power driver and T-20 bit.



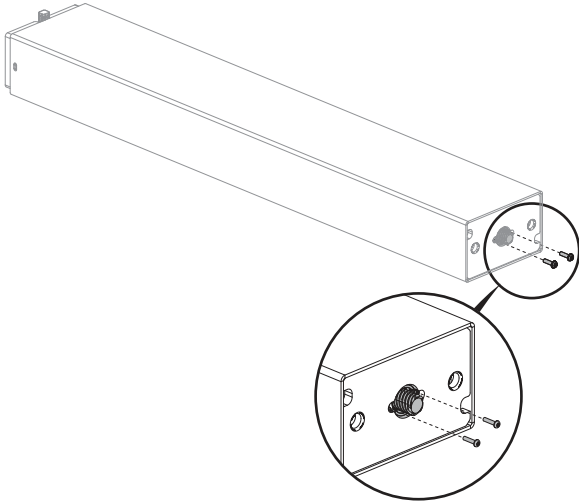
Step 2

2.1 Remove the actuator palte from the leg.



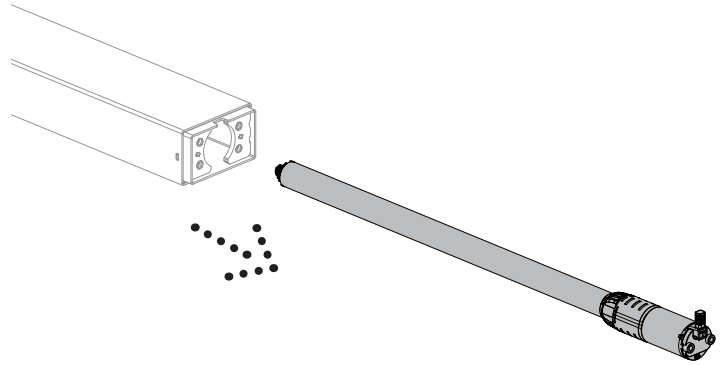
Step 3

3.1 Turn around the leg and take off the bottom screws using Torx-10.



Step 4

4.1 Turn around the leg and remove the DMD-Inline drive from the leg.



HermanMiller

Motia™ Sit-to-Stand Table Extended Electric (Dual Stage) Leg Disassembly Instructions



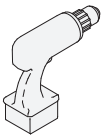
⚠ WARNING

DO NOT PULL FROM CORD. DAMAGE OR INJURY CAN OCCUR.

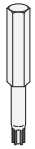
NO JALE DEL CABLE. PUEDE CAUSAR DAÑOS O LESIONES.

How to disassemble your table leg.

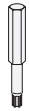
Tools Required



Power Driver



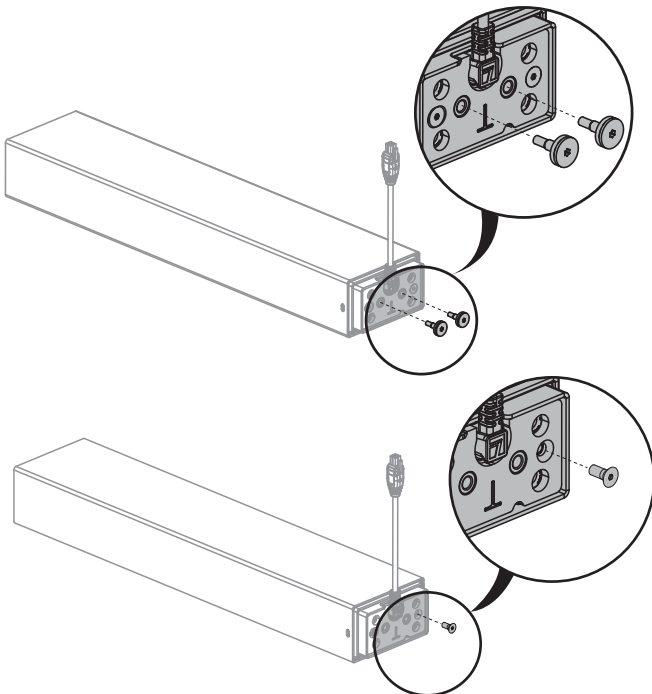
T-20 Bit



T-10 Bit

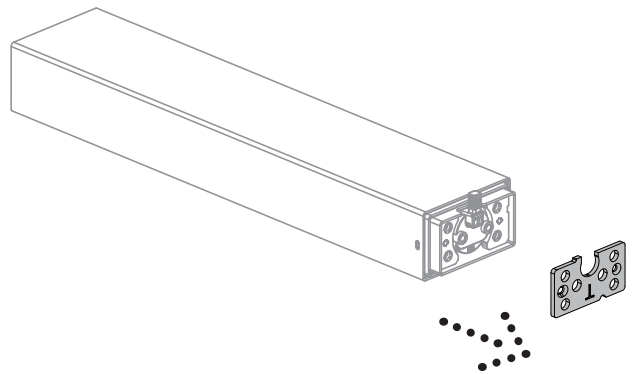
Step 1

1.1 Remove the screws using power driver and T-20 bit.



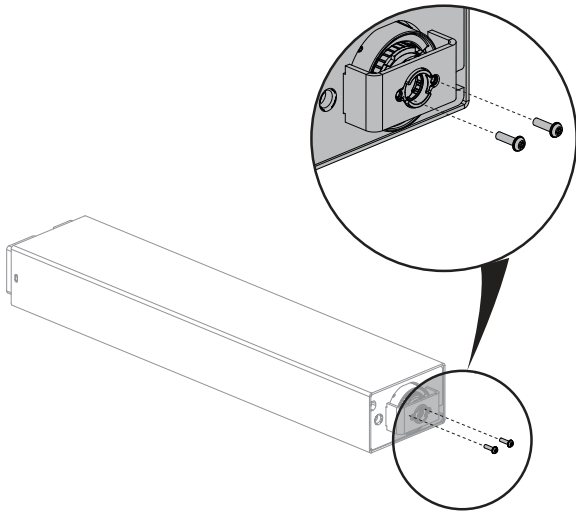
Step 2

2.1 Remove the actuator plate from the leg.



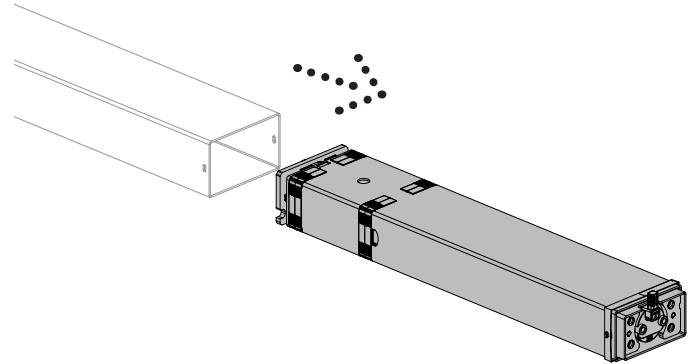
Step 3

3.1 Turn around the leg and take off the bottom screws using T-10 bit.



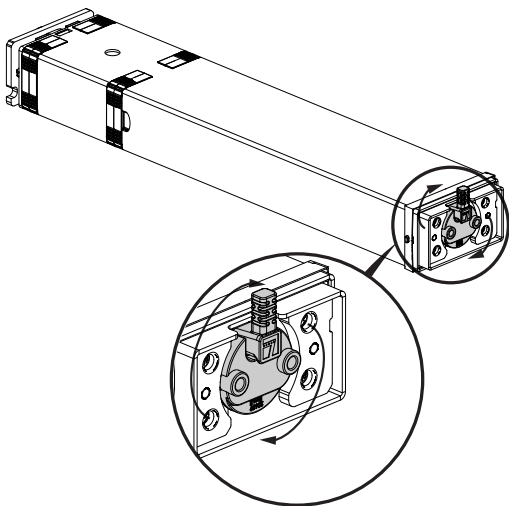
Step 4

4.1 Remove lower leg.



Step 5

5.1 Rotate DMD-Inline drive 90deg either direction.



Step 6

6.1 With the actuator rotated 90deg, remove the DMD-Inline drive from the leg column.

