

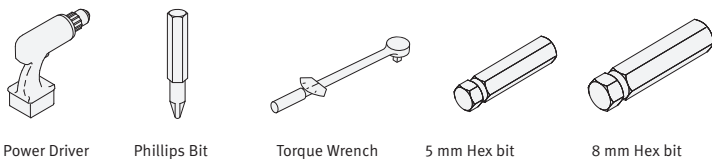
# HermanMiller

## Motia™ Sit-to-Stand Table Installation



### How to assemble your table.

#### Tools Required



Power Driver    Phillips Bit    Torque Wrench    5 mm Hex bit    8 mm Hex bit

#### IMPORTANT SAFETY INSTRUCTIONS

When using an electrical furnishing, basic precautions should always be followed, including the following:

Read all instructions before using this furnishing.

**DANGER** - To reduce the risk of electric shock always unplug this furnishing from the electrical outlet before cleaning.

**WARNING** - To reduce the risk of burns, fire, electric shock, or injury to persons: Close supervision is necessary when this furnishing is used by, or near children, invalids, or disabled persons.

Sitting or standing on product may cause risk of personal injury (use for chairs, tables consider obvious misuse of product).

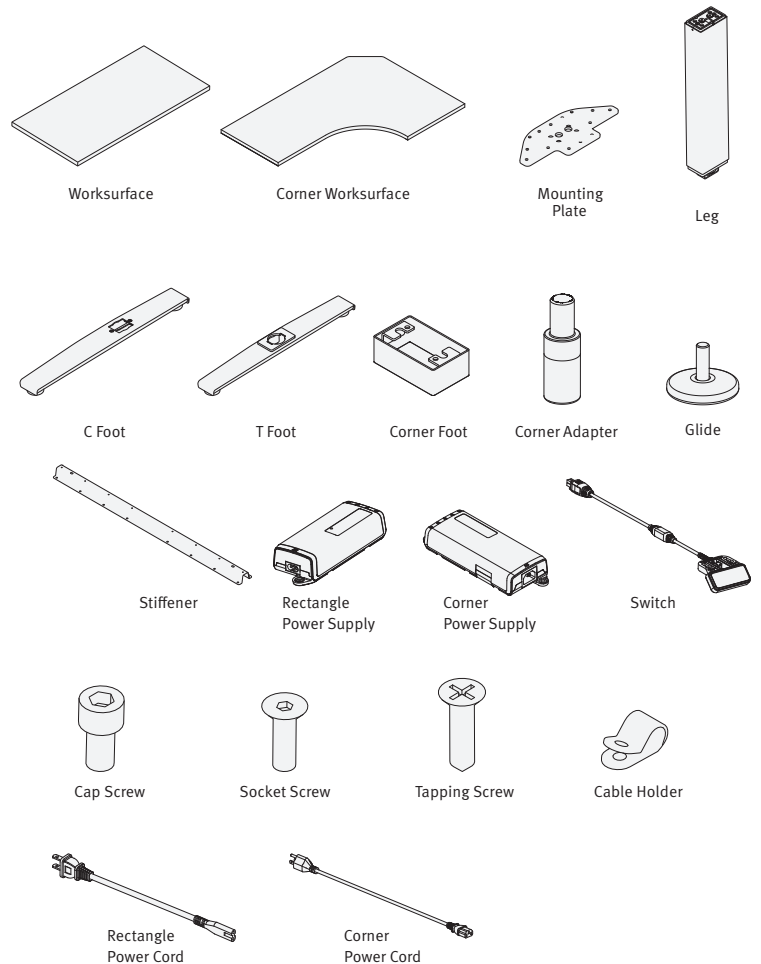
Use this furnishing only for its intended use as described in these instructions. Do not use attachments not recommended by the manufacturer.

Never operate this furnishing if it has a damaged cord or plug, if it is not working properly, if it has been dropped or damaged, or dropped into water. Return the furnishing to a service center for examination and repair.

Failure to fully tighten screws (bolts) may cause injury by causing Motia tables to collapse. Tighten screws (bolts) until they stop plus a quarter turn.

Periodically check to make sure legs are properly aligned. Failure to do so may cause risk of personal injury.

#### Parts Included



If using power drive set on low torque.

Keep the cord away from heated surfaces.

Never drop or insert any object into any opening.

Do not use outdoors.

Do not operate where aerosol (spray) products are being used or where oxygen is being administered.

This furnishing is intended for commercial use  
power supply rating: 4.0 - 6.0A, 120V  
Duty cycle: 2 min on, 18 min off

**WARNING** - Risk of Electric Shock – Connect this furnishing to a properly grounded outlet only. See Grounding Instructions.

For loading always put heavier items in the center and distribute the load.

Risk of Injury - Maximum Load 250 lbs (113 kg).

#### GROUNDING INSTRUCTIONS

This product must be grounded. If it should malfunction or breakdown, grounding provides a path of least resistance for electric current to reduce the risk of electric shock. This product is equipped with a cord having an equipment-grounding conductor and a grounding plug. The plug must be plugged into an appropriate outlet that is properly installed and grounded in accordance with all local codes and ordinances.

**DANGER** – Improper connection of the equipment-grounding conductor can result in a risk of electric shock. Check with a qualified electrician or serviceman if you are in doubt as to whether the product is properly grounded. Do not modify the plug provided with the product. If it will not fit the outlet, have a proper outlet installed by a qualified electrician. This product is for use on a nominal 120-volt circuit and has a grounding plug that looks like the plug illustrated in Sketch A. Make sure that the product is connected to an outlet having the same configuration as the plug. No adapter should be used with this product.

## INSTRUCTIONS IMPORTANTES CONCERNANT LA SÉCURITÉ

Lorsque vous utilisez des meubles électriques, il est important de respecter quelques précautions de base, notamment :

Lire l'ensemble des instructions avant d'utiliser le meuble.

**DANGER** - Afin de réduire le risque d'électrocution, veillez à toujours débrancher le meuble de la source d'alimentation avant de le nettoyer.

**ATTENTION** - Afin de réduire le risque de brûlure, d'incendie, d'électrocution ou de blessure, l'utilisation de ces meubles doit être étroitement supervisée lorsque des enfants ou des personnes handicapées sont à proximité.

S'asseoir ou se tenir debout sur le produit peut entraîner un risque de blessure (l'utilisation de tables comme siège est considérée comme un mauvais usage flagrant du produit).

N'utilisez ce meuble que conformément aux usages décrits dans les présentes instructions. Veillez à ne pas utiliser d'accessoires autres que ceux recommandés par le fabricant.

N'utilisez jamais un meuble dont le câble ou la fiche d'alimentation est endommagé(e), s'il ne fonctionne pas correctement, s'il a été endommagé, ou s'il est tombé au sol ou dans l'eau. Le cas échéant, retournez le meuble à un centre de service après-vente pour examen et réparation.

Lorsque les vis (et les boulons) ne sont pas assez serrées, les tables Motia peuvent s'effondrer et risquent de causer de blessures. Serrez les vis (et les boulons) jusqu'au bout, puis ajoutez un quart de tour.

Assurez-vous ponctuellement que les pieds sont correctement alignés. Dans le cas contraire, des blessures sont possibles.

Si vous utilisez des outils électriques, veillez à les régler sur le paramètre le plus faible.

Assurez-vous d'écarter le câble d'alimentation de toute source de chaleur.

Assurez-vous de ne pas laisser tomber ou insérer d'objet dans les ouvertures.

Veillez à ne pas l'utiliser à l'extérieur.

Veillez à ne pas activer le mécanisme électrique lorsque des aérosols sont utilisés ou lorsque de l'oxygène est administré.

Ce meuble est conçu pour un usage commercial.

**ATTENTION** - Risque d'électrocution. Veillez à brancher ce meuble à une prise murale correctement mise à la terre. Consultez les instructions de mise à la terre.

Lorsque vous posez des objets sur la table, assurez-vous de mettre les objets les plus lourds au centre et de distribuer le poids

Risque de blessure – Charge maximale : 113 kg.

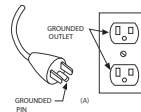
## INSTRUCTIONS DE MISE À LA TERRE

Ce produit doit être mis à la terre. En cas de dysfonctionnement ou de panne, la mise à la terre offre un chemin de moindre résistance pour le courant électrique afin de réduire le risque d'électrocution. Ce produit

est équipé d'un câble d'alimentation doté d'un conducteur et d'une fiche d'alimentation électrique pour la mise à la terre. La fiche doit être branchée dans une prise de courant adéquate installée et mise à la terre conformément aux normes et aux règlements locaux.

**DANGER** - Le mauvais raccordement d'un conducteur de mise à la terre peut occasionner un risque d'électrocution. Vérifiez auprès d'un électricien ou d'un technicien compétent en cas de doute sur la mise à la terre de l'appareil. Ne modifiez pas la fiche d'alimentation électrique accompagnant ce produit. Si elle n'est pas compatible avec la prise murale, faites installer la prise murale appropriée par un électricien qualifié.

Ce produit a été conçu pour être utilisé sur un circuit nominal à 120 volts et dispose d'une fiche électrique semblable à celle illustrée dans le schéma A. Assurez-vous que le produit est relié à une prise murale disposant de la même configuration que la fiche électrique. L'utilisation d'adaptateurs électriques est proscrite.



## ⚠ WARNING

Keep area between underside of table and credenza clear of any objects.  
Interference with table's vertical travel can cause misalignment of table legs resulting in table instability and potential personal injury.

## ⚠ WARNING RISK OF INJURY

When furnishing is combined with FFH Credenza, it is not to be used in a location where children or people with cognitive disabilities are anticipated to be present.

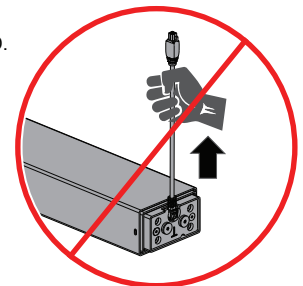
## ⚠ AVERTISSEMENT RISQUE DE BLESSURE

La crédence FFH ne doit pas être installée dans des endroits où des enfants ou des personnes souffrant de déficiences cognitives seront présentes.

## ⚠ WARNING

DO NOT PULL FROM CORD.  
DAMAGE OR INJURY CAN OCCUR.

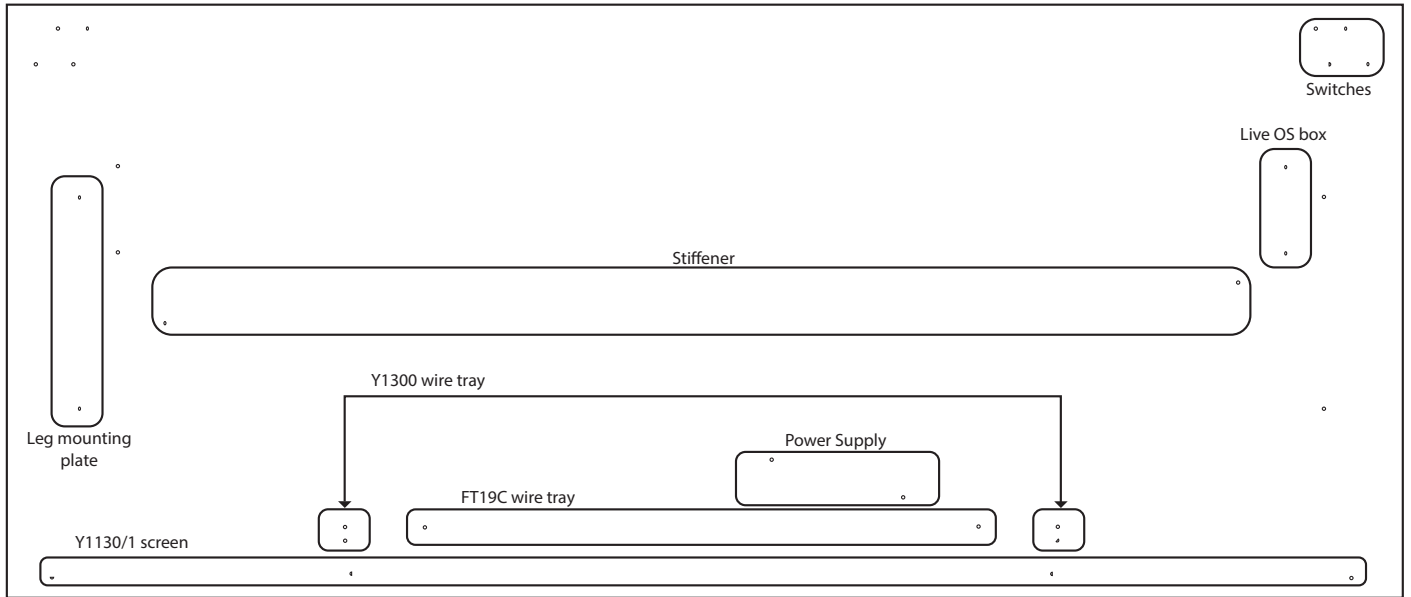
NO JALE DEL CABLE.  
PUEDE CAUSAR DAÑOS O LESIONES.



# Worksurface Attachment Hole Identification

Worksurface: 30x72 T - Foot

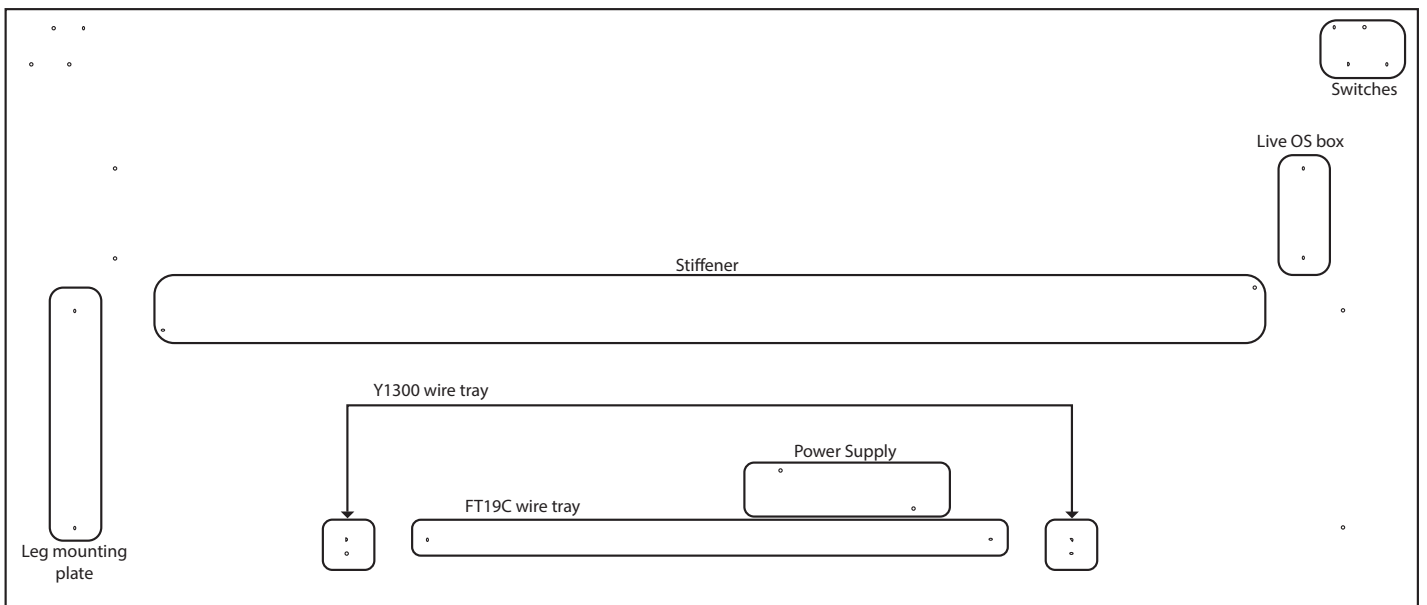
Front



\* Screen and wire tray holes may not be present on all sizes

Worksurface: 30x72 C- Foot

Front

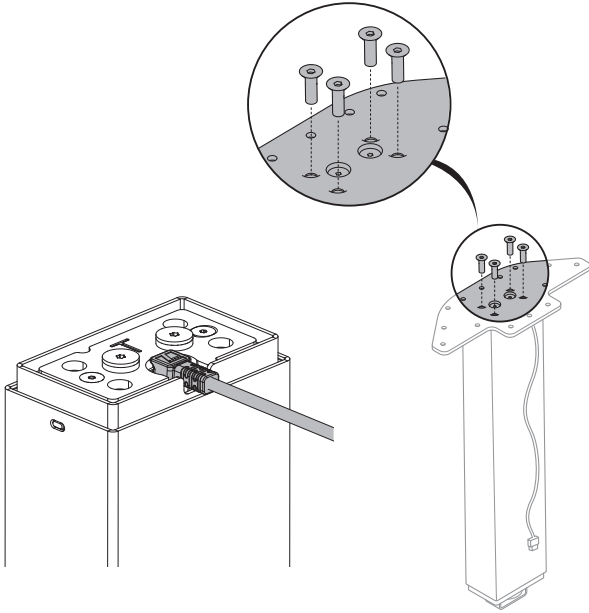


\* Wire tray holes may not be present on all sizes

## Step 1

### Mounting Plate Installation

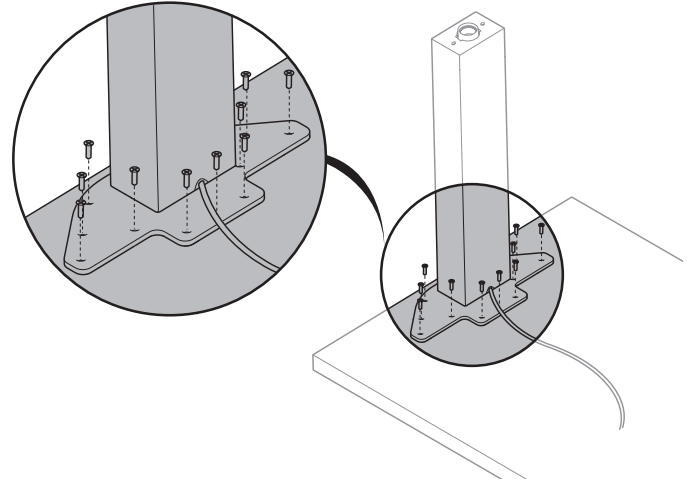
- 1.1 Pick the side on the leg where the power cable runs, face the cable towards the center of the table.
- 1.2 Ensure the cable is routed in the cutout.
- 1.3 Install the Stamping Plate to the leg using 4 socket screws.
- 1.4 When torque wrench is available, tighten fasteners to 20 Ft-Lbs. If you do not have access to a torque wrench, then tighten fasteners to snug, plus a 1/4 turn.
- 1.5 Do the same for other leg.



## Step 2

### Leg Installation

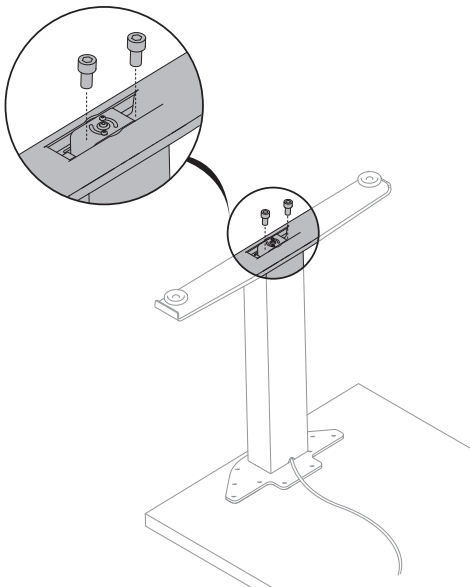
- 2.1 Lay the Surface upside down.
- 2.2 Using the 2 predrilled holes to locate, install the leg using 14 tapping screws.
- 2.3 Do the same for other leg.



## Step 3

### T Foot or C Foot Installation

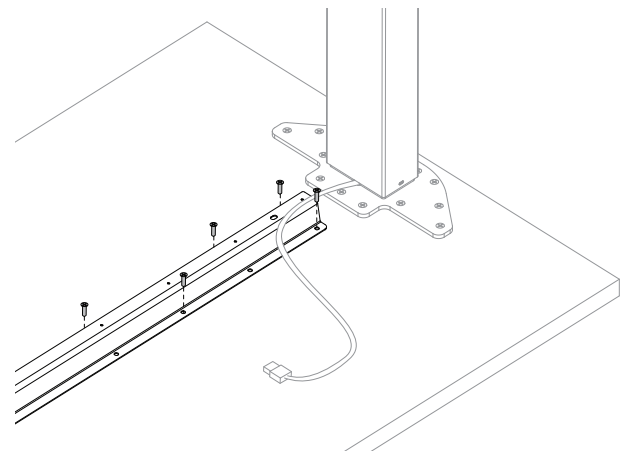
- 3.1 Install the T Foot or C Foot to the leg using 2 cap screws.
- 3.2 When torque wrench is available, tighten fasteners to 20 Ft-Lbs. If you do not have access to a torque wrench, then tighten fasteners to snug, plus a 1/4 turn.
- 3.3 Do the same for other leg.



## Step 4

### Stiffener Installation

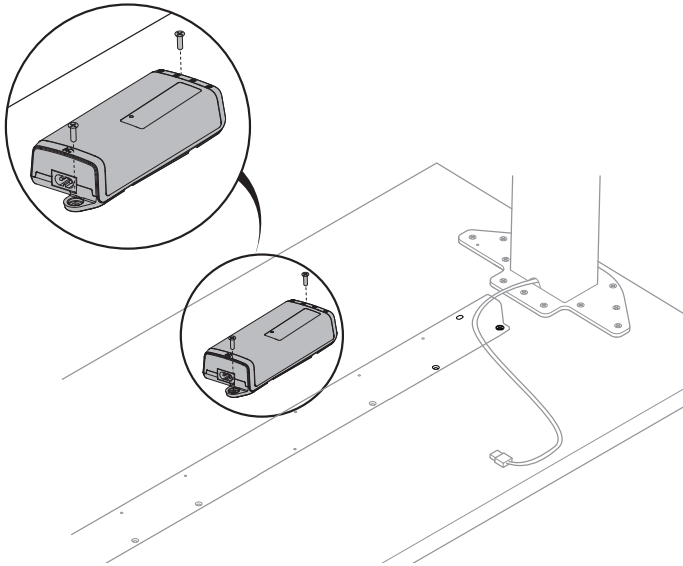
- 4.1 Find the predrilled holes located near legs.
  - 4.2 Attach the Stiffener to the underside of work surface using Tapping Screws.
  - 4.3 Install Tapping Screws in every other hole. Alternate back and forth on each flange.
- Note: If worksurface other than Herman Miller's is being installed. Center legs front to back.
- Distance between legs to be determined by length of stiffener.
- On sizes that do not require a stiffener, there will be additional screws left over in the hardware pack.



## Step 5

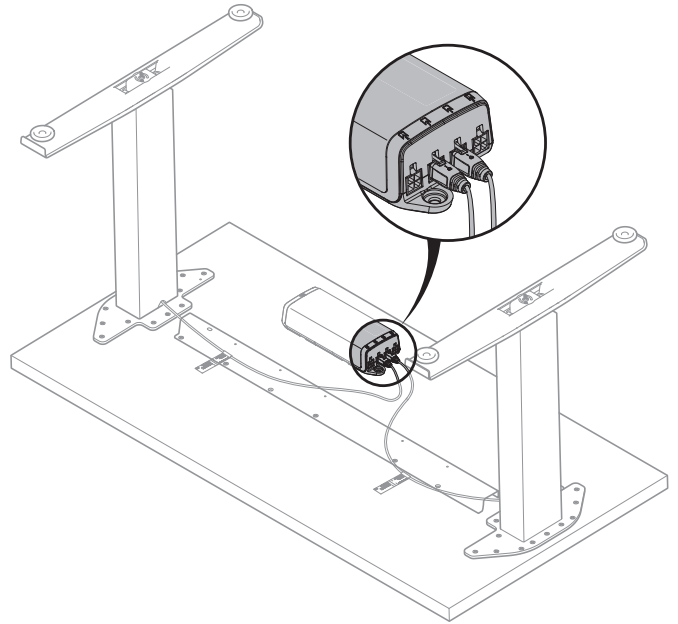
### Power Supply Installation

- 5.1 Find the predrilled holes which are centered at the rear worksurface.
- 5.2 Install the Power Supply using 2 Tapping Screws.



## Step 6

- 6.1 Plug the cables to Power Supply.



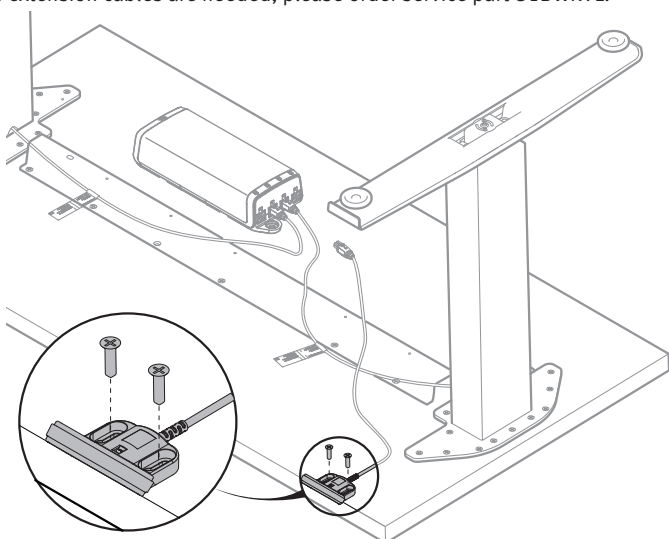
## Step 7

### Switch Installation

Note: If table is using the LO100 smart paddle kit, see instruction sheet 1BHGK1 for switch installation details.

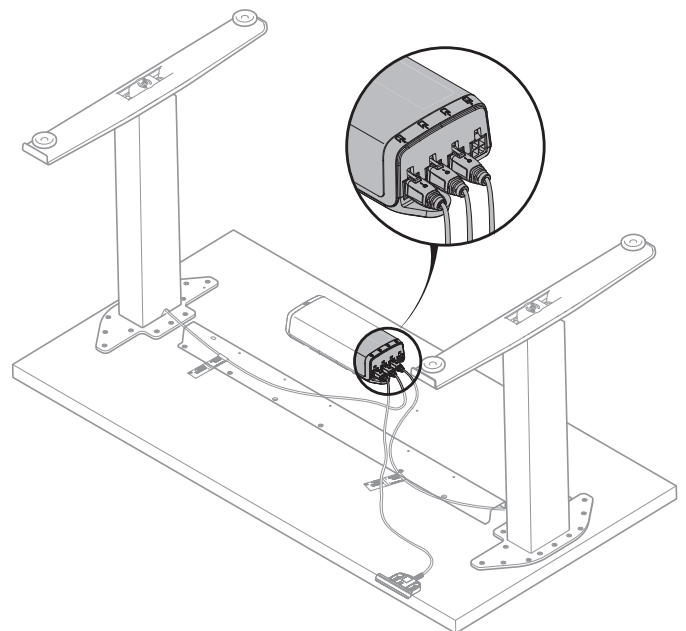
- 7.1 Install the Switch using 2 Tapping Screws in the predrilled corner holes in the worksurface.

Note: Switch can be installed either right or left side of table.  
Switch will be on opposite side from Power Supply.  
Cables will be fastened to surface in step 10.  
If extension cables are needed, please order service part U1BWKVL.



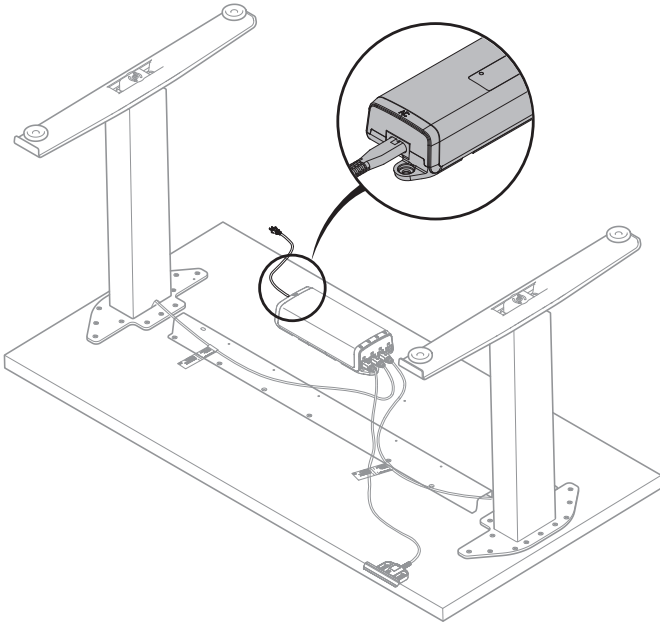
## Step 8

- 8.1 Plug the switch cable into Power Supply.



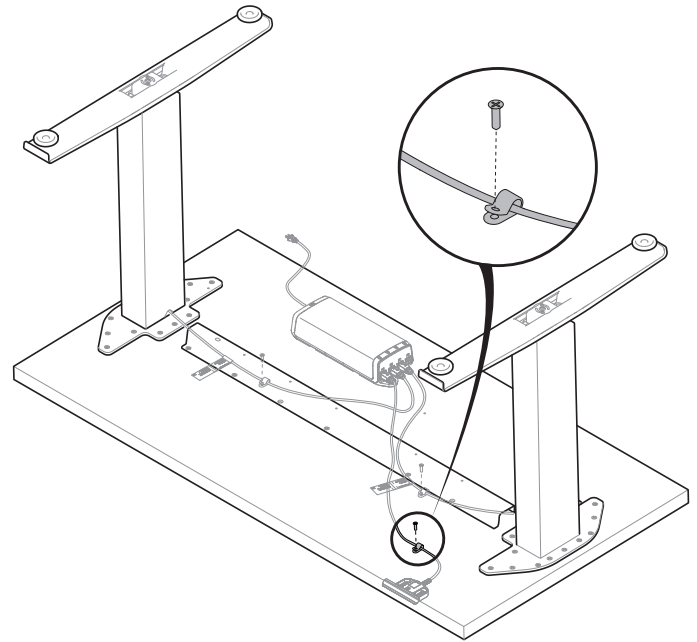
## Step 9

9.1 Plug the Power Cord into Power Supply.



## Step 10

10.1 Fasten the Cable Holders to the work surface with the switch and leg cables in the Cable Holders.

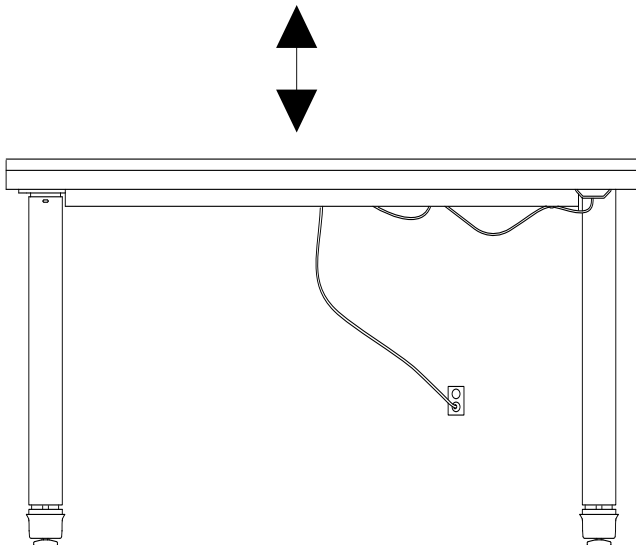


## Step 11

11.1 Turn Table upright and plug in power cord to receptacle.

11.2 Cycle worksurface all the way up and down to verify legs are synchronized.

Note: If legs are not synchronized, synchronize them by running the legs all the way down and holding for 5 seconds and then repeat Step 11.



## Step 12

### Corner Table

#### Mounting Plate Installation

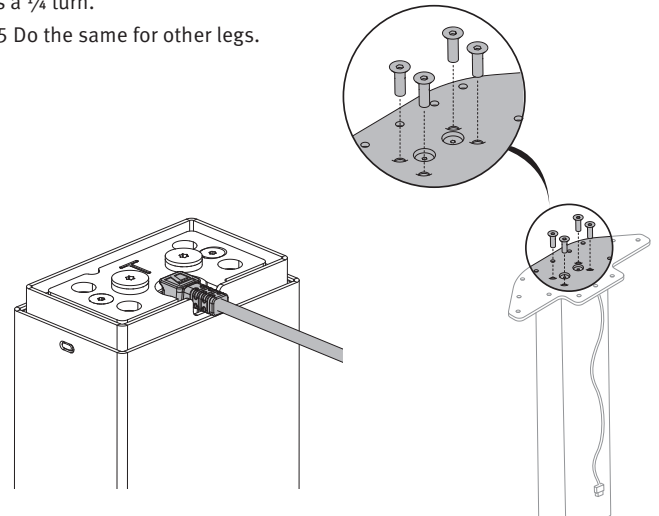
12.1 Identify on the surface which side the control box will be mounted and face the cable in this direction.

12.2 Ensure the cable is routed in the cutout.

12.3 Install the Stamping Plate to the leg using 4 socket screws.

12.4 When torque wrench is available, tighten fasteners to 20 Ft-Lbs. If you do not have access to a torque wrench, then tighten fasteners to snug, plus a 1/4 turn.

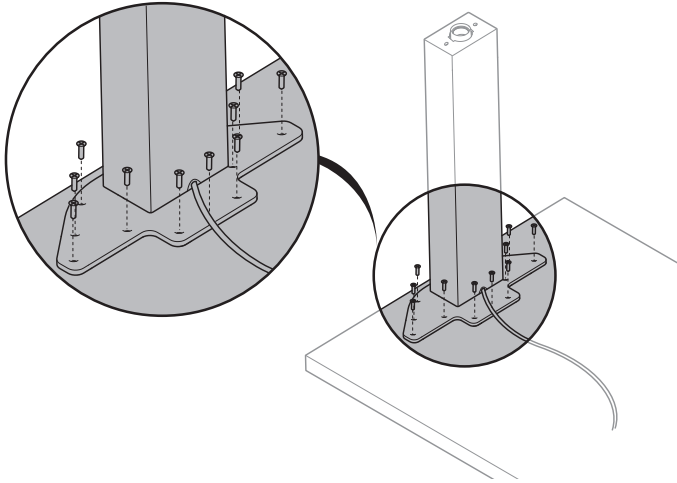
12.5 Do the same for other legs.



## Step 13

### Leg Installation

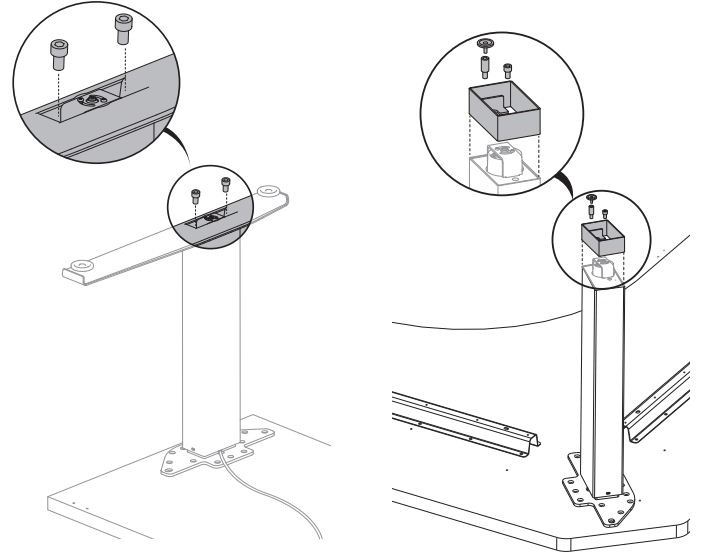
- 13.1 Lay the Surface upside down.
- 13.2 Using the 2 predrilled holes to locate, install the leg using 14 tapping screws.
- 13.3 Do the same for other legs.



## Step 14

### C Foot Installation

- 14.1 Install the C Foot to the leg using 2 cap screws. Do the same for other leg.
- 14.2 Install the Corner Foot to the leg using 1 Cap Screw, 1 Corner Adapter and 1 Glide.
- 14.3 When torque wrench is available, tighten fasteners to 20 Ft-Lbs. If you do not have access to a torque wrench, then tighten fasteners to snug, plus a 1/4 turn.



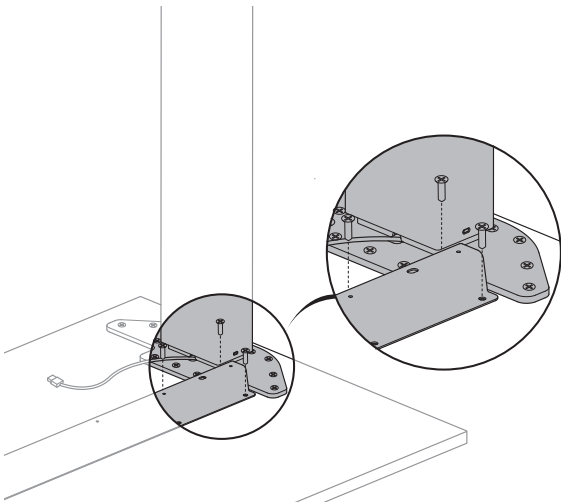
## Step 15

### Stiffener Installation

- 15.1 Find the predrilled holes located near legs.
- 15.2 Attach the Stiffeners to the rear side of worksurface using Tapping Screws.

Note: If worksurface other than Herman Miller's is being installed. Center legs front to back.

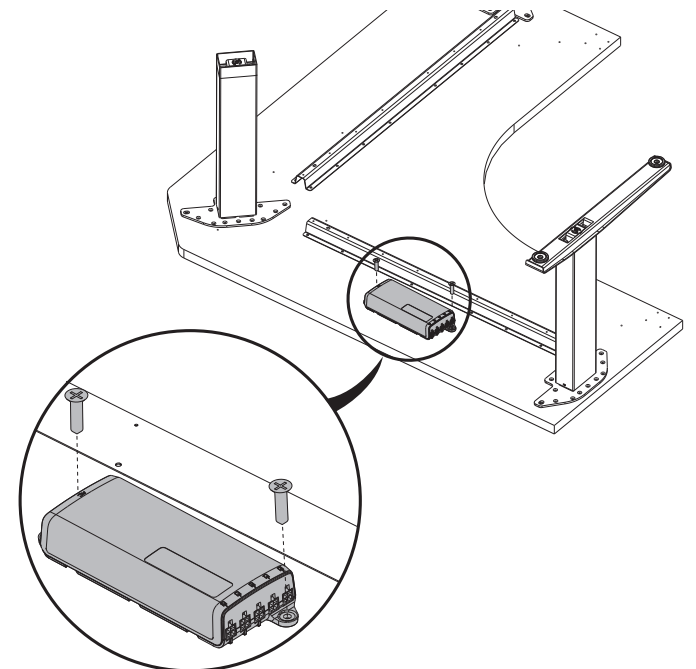
Distance between legs to be determined by length of stiffener.



## Step 16

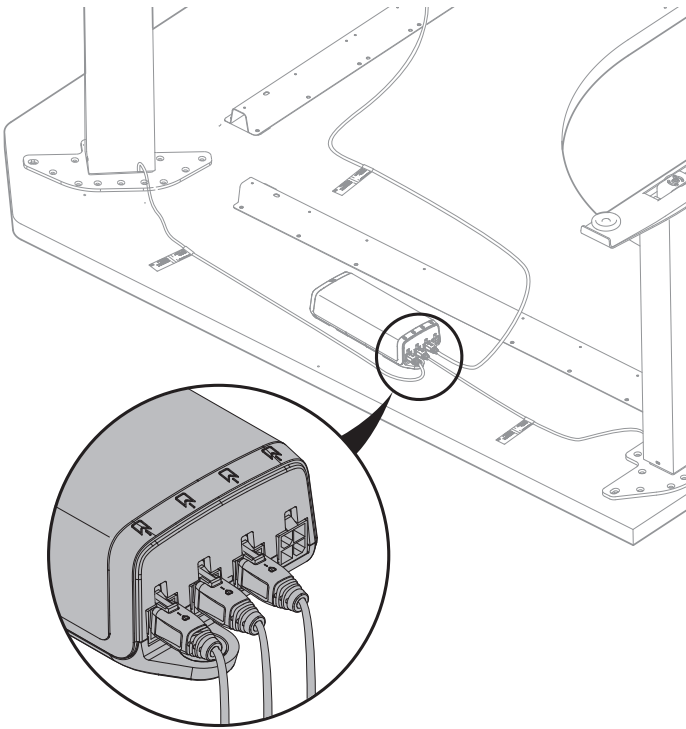
### Power Supply Installation

- 16.1 Find the predrilled holes which are centered at the rear worksurface.
- 16.2 Install the Corner Power Supply using 2 Tapping Screws.



## Step 17

17.1 Plug the cables to Power Supply.



## Step 18

Switch Installation

Note: If table is using the LO100 smart paddle kit, see instruction sheet 1BHGK1 for switch installation details.

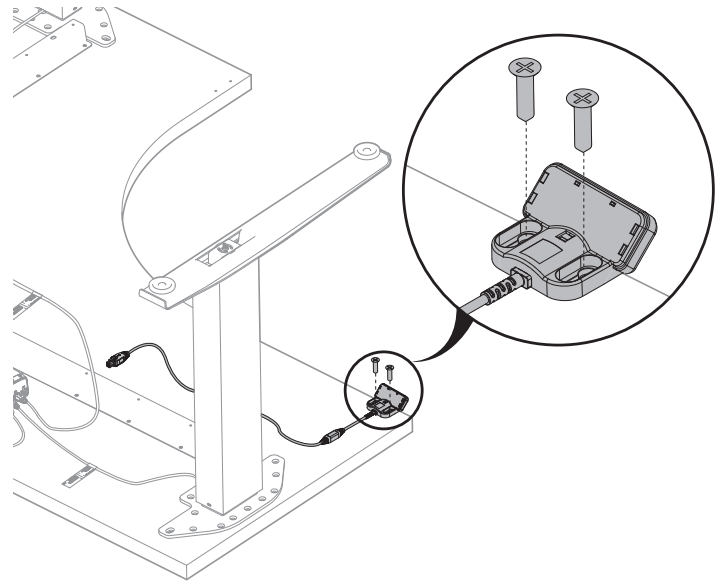
18.1 Install the Switch using 2 Tapping Screws in the predrilled corner holes in the worksurface.

Note: Switch can be installed either right or left side of table.

Switch will be on opposite side from Power Supply.

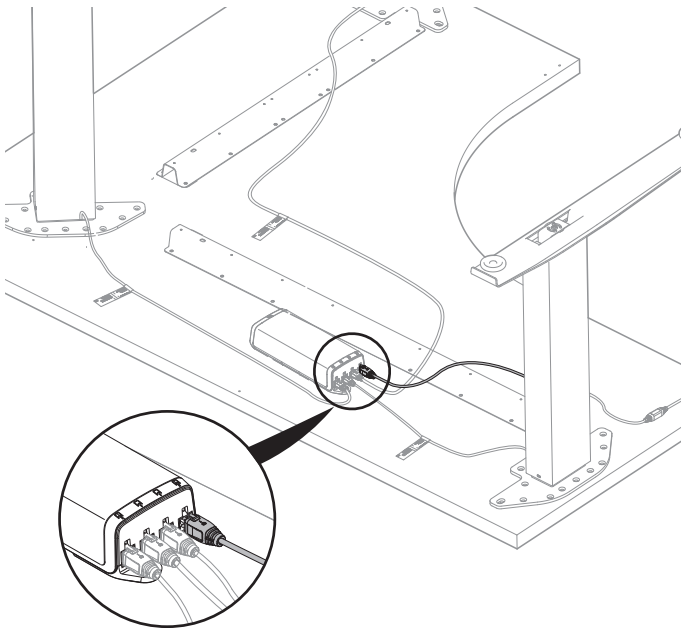
Cables will be fastened to surface in step 10.

If extension cables are needed, please order service part U1BWKVL



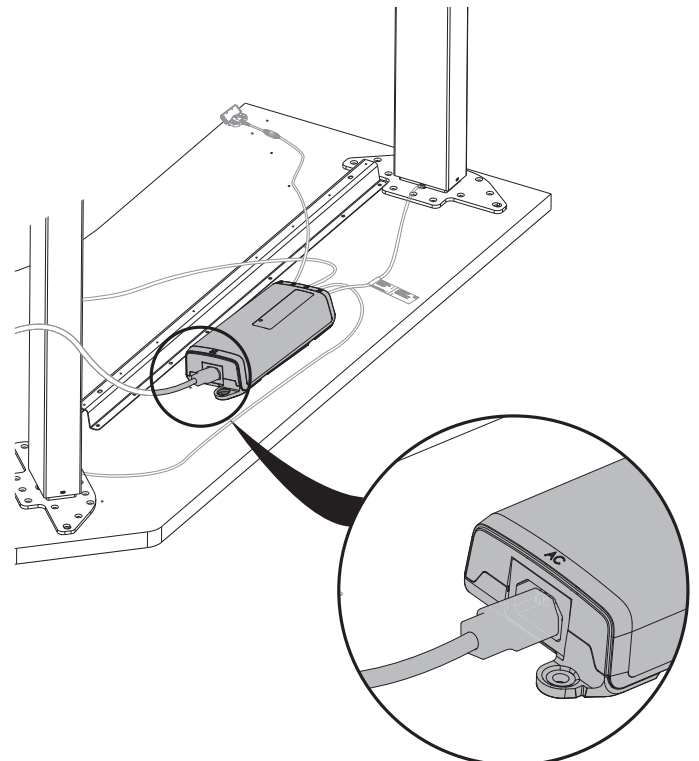
## Step 19

19.1 Plug the switch cable to Power Supply.



## Step 20

20.1 Plug the Power Cord to Power Supply.





## Disassembly for Recycling:

### Materials Identification and Segregation:

Where possible, plastic components are marked with ASTM recycling codes. Use these codes to identify material type for recycling. Non-marked components should be treated as mixed plastic. Ferrous metals can be identified using a small magnet for recycling. Non-ferrous metals should be separated and recycled separately.

For instructions on how to disassemble legs, see environmental information section of Renew product page at hermanmiller.com

### WARNING

Risk of fire and shock, use only SJT type 18 AWG cord.

### ATTENTION

Risque d'incendie ou d'électrocution. Le câble doit être de type SJT, taille 18 AWG

## Disassembly for Reconfiguration:

- Clear full range of motion of the table.
- Clear any shelf stops.
- Lower table completely to minimum height.
- Dissemble table.
- Do not interchange Power supplies between leg sets/tables when reassembling.

### WARNING

Lower legs completely to minimum height before disassembling table. Failure to do so can result in leg stage separation causing table to fall, resulting in possible injury. See instructions for details.

### WARNING

Avant de démonter la table, abaissez complètement le piètement jusqu'à la hauteur minimale. Dans le cas contraire, les pieds de la table pourraient se séparer, entraînant sa chute et d'éventuelles blessures. Consultez les instructions pour plus de détails.