



New Aeron® Tension Knob and Tilt lever Replacement

Parts Included:



Tension Knob



Tilt lever

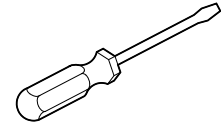
Tools Required:



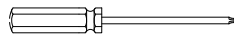
Wrench 10 mm



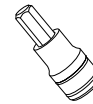
6mm Drill Bit



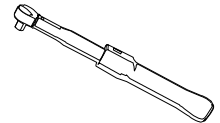
Small Flat Head Screw Driver



T27, T25 Torx Driver

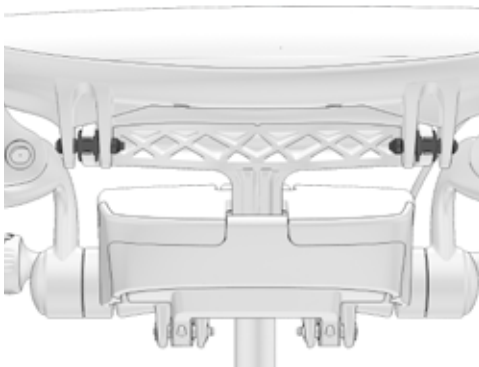


M6 Hex Bit



Torque Wrench

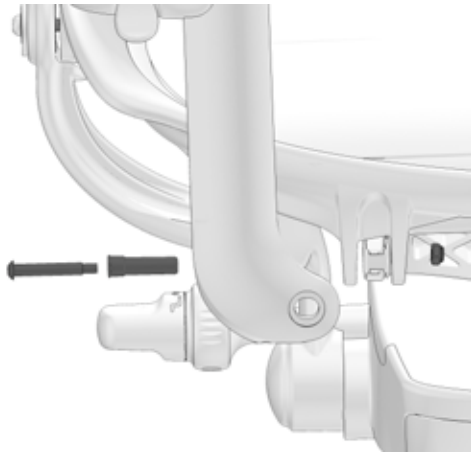
Steps:



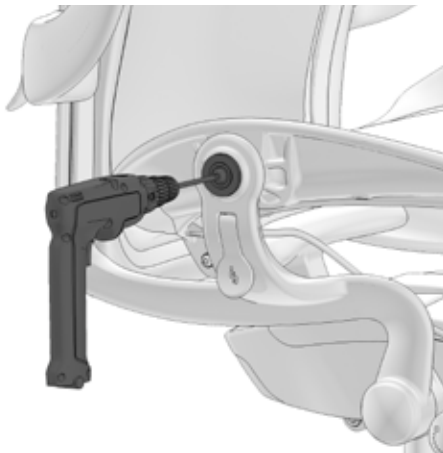
1. Remove shoulder bolt and nut.



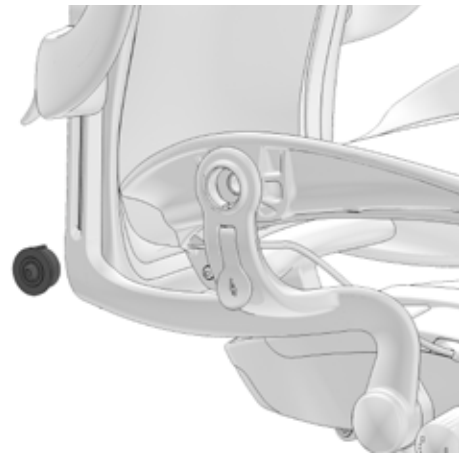
2. Use torx driver and 10mm wrench.



3. Follow previous steps to remove other side shoulder bolt and nut.

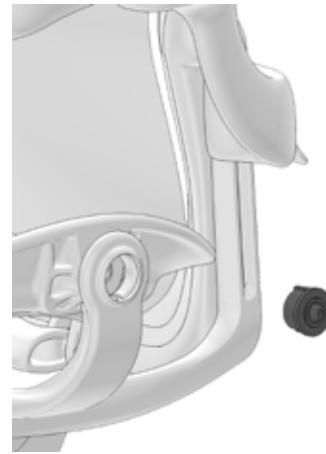


4. Use 6mm drill to remove the bolt from the swing arm.





5. Remove the other side bolt to detach the seat



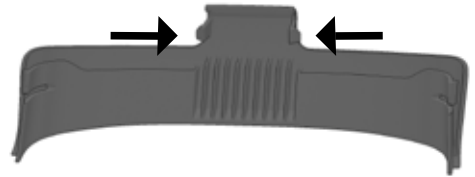
6. Detach the seat.



7. Insert a small flat head screw driver into each side of the cover in the hook locations shown.



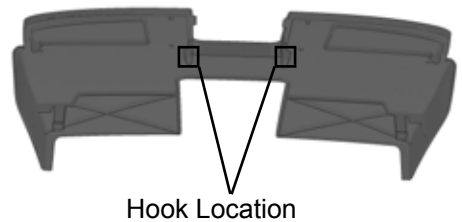
8. Using a small flat head screw driver depress the two snaps on both sides of the cover and pull cover away from the tilt.



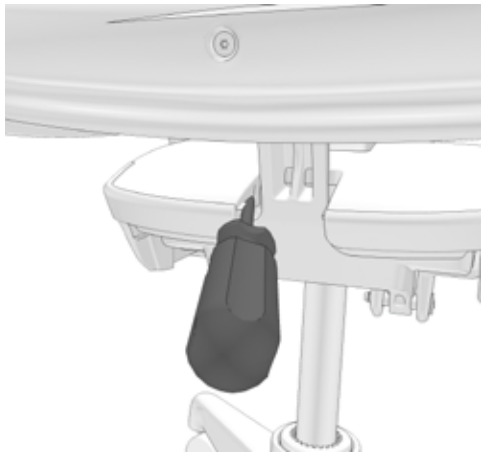
9. Release two center snaps by squeezing together two snaps.



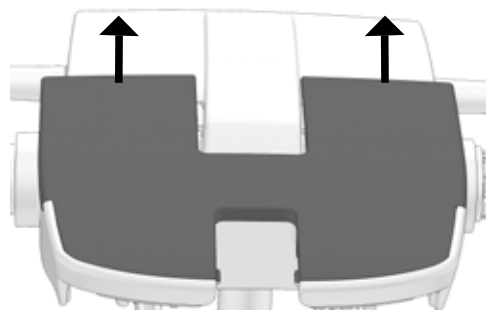
10. Remove the rear top cover after removing the rear bottom cover.



11. Insert a small flat head screw driver into each side of the cover in the hook locations shown. Release two snaps by squeezing it.



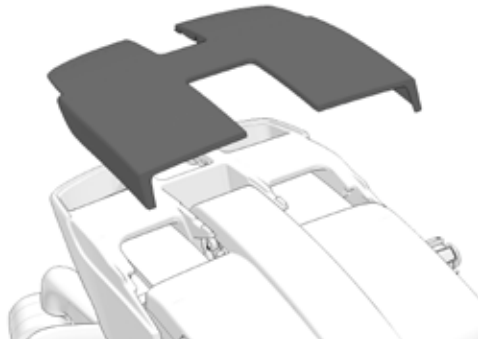
12. Using a small flat head screw driver depress the two snaps on both sides of the cover and pull cover away from the tilt.



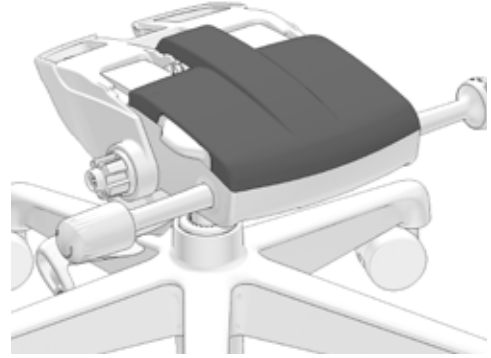
13. Slide the top cover forward to release the snap hook.



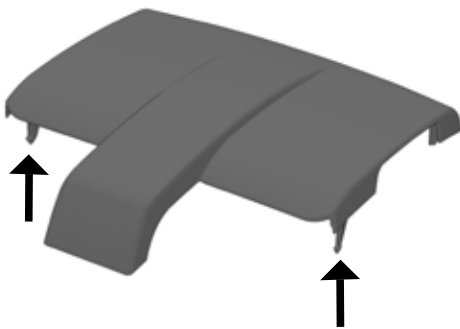
14. This picture shows the location of the two snap hook position.



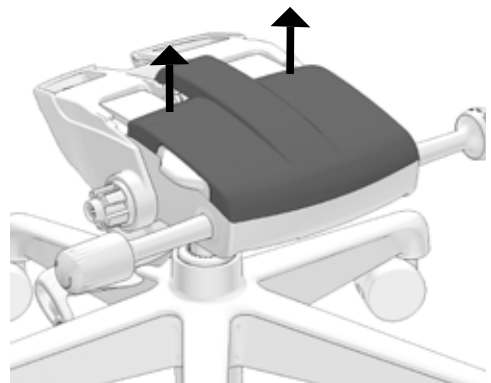
15. Detach the top cover.



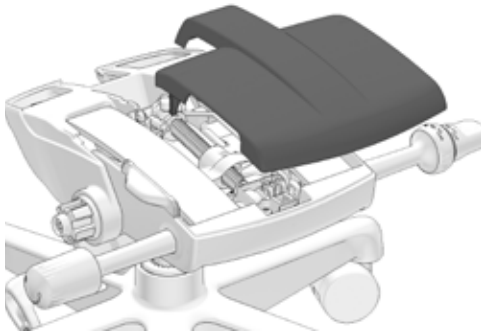
16. Remove the front cover after removing both rear top and bottom cover.



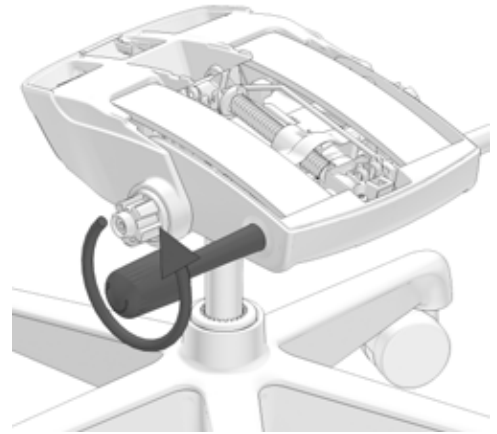
17. The above picture shows the snap locks location.



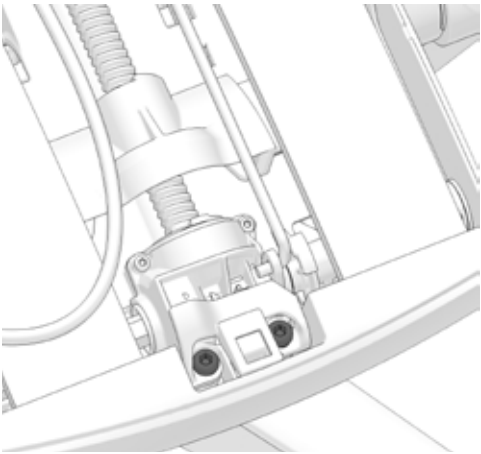
18. Gently lift the rear edge of the cover to release snaps.



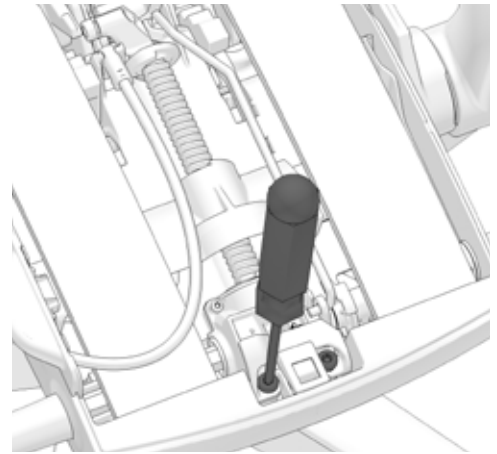
19. Detach the front cover from the tilt housing.



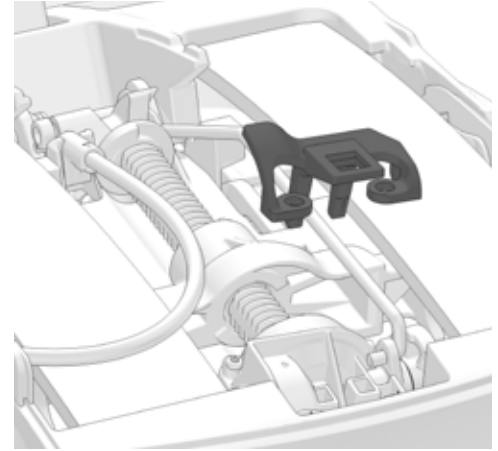
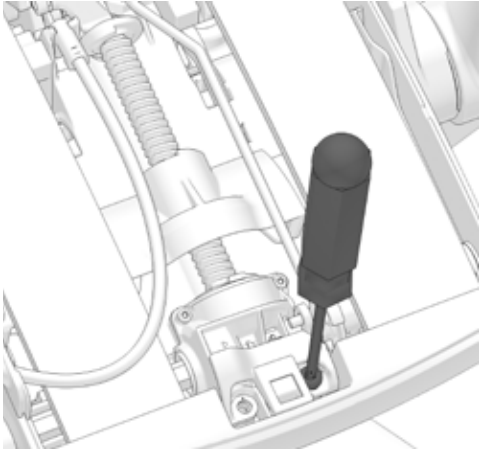
20. Rotate the tension knob counter clockwise to release tension.



21. Remove the cassette screws.



22. Use T25 Drive to remove the screws.



23. Detach the retainer clips from the assembly.



24. Detach the tension knob and the Tilt lever.

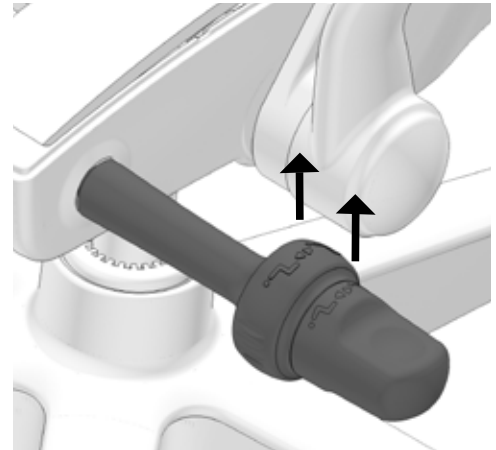


25. The Tilt lever can be detached.

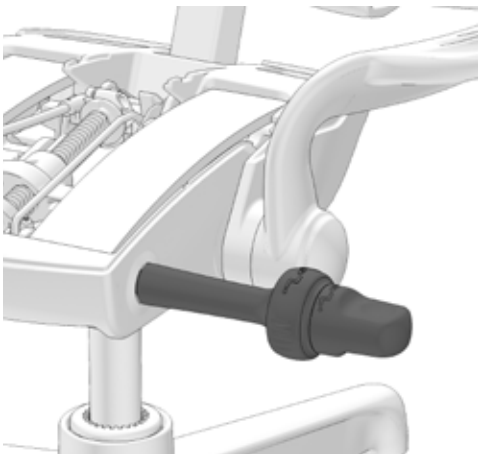
Re-Assembly Steps:



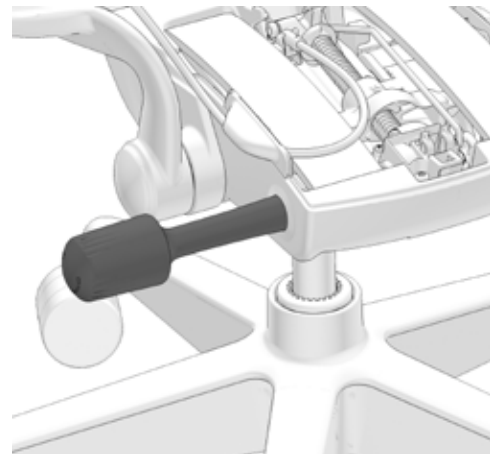
26. Insert forward shaft through recline handle opening.



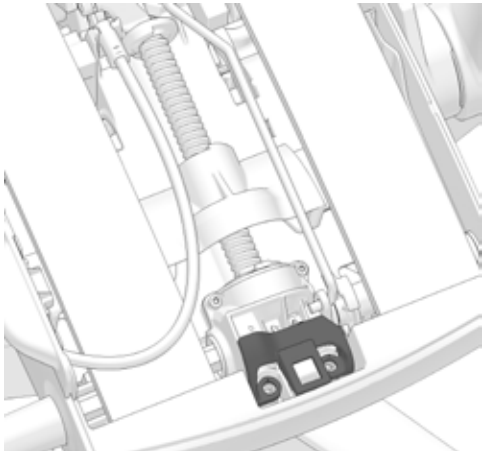
27. Orient icons on both controls up.



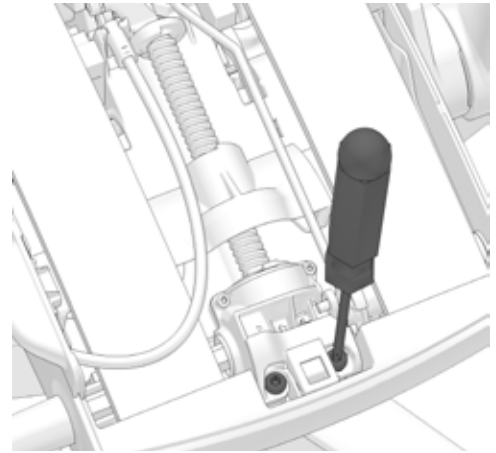
28. Insert the knob handle into front tilt housing.



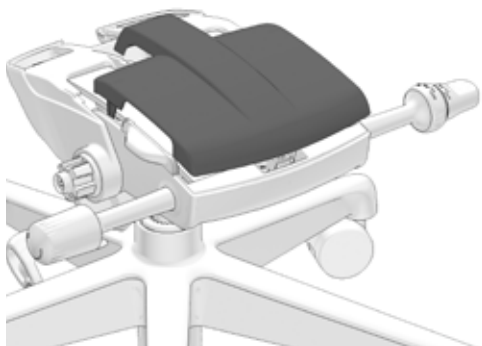
29. Insert the tension handle into front tilt housing.



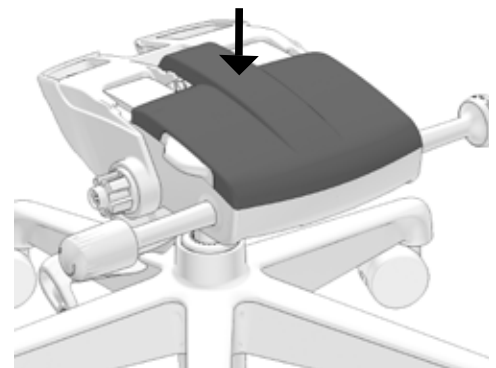
30. Replace retainer clip in place. Apply pressure to forward control to compress foam washer. Install retainer clip.



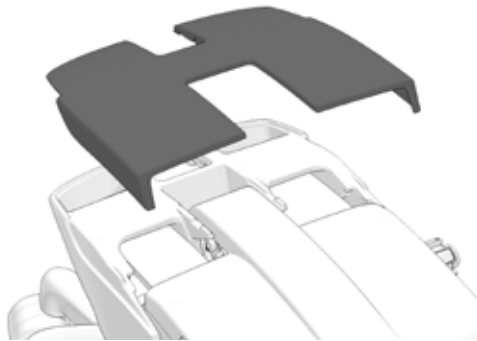
31. Tighten the screws with T25 bit.



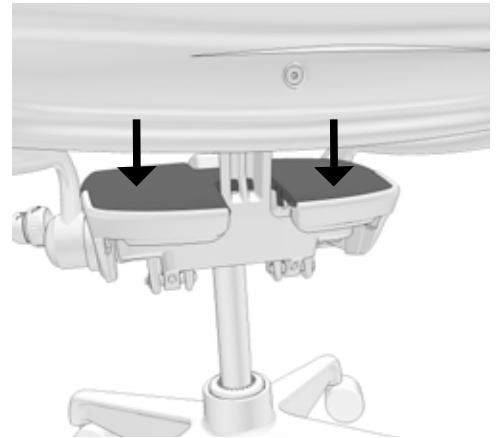
32. Replace the front top cover in place.



33. Gently press the cover to lock the snaps with the tilt housing.



34. Replace the rear top cover in place.



35. Gently press the cover to lock the snaps with the tilt housing.



36. Position cover aligning four snaps to rear tilt housing.



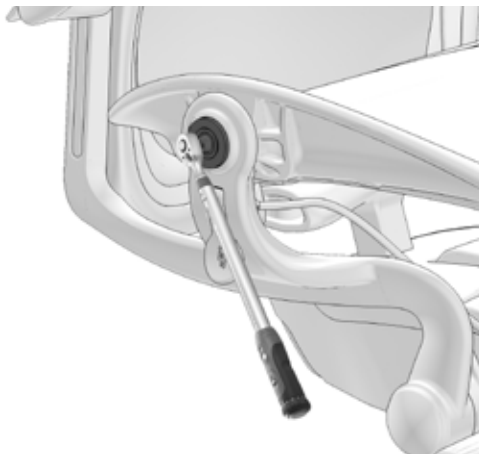
37. Snap cover in place.



38. Replace the new seat in place.



39. Install bolts on both side.



40. Use torque wrench and 6mm hex bit. Torque each bolt to 250 in-lbs.



41. Install shoulder bolt and nut.



42. Use T27 torx driver and 10mm wrench to install shoulder bolt and nut.



43. Install shoulder bolt and nut on both side.