



Prices effective July 1, 2024

Published October 2024

# OE1 Workspace Collection™

<b>Introduction</b>	<b>page 2</b>
<b>OE1 Workspace Collection™</b>	<b>3</b>
OE1 Boundary	5
OE1 Height Adjustable Micro Packs	26
OE1 Communal Tables	49
OE1 Fixed Height Tables	75
OE1 Screens	119
OE1 Storage	128
OE1 Community Elements	145
Accessories	152
<b>Indices</b>	<b>155</b>
By Name	155
By Number	157
<b>Appendices</b>	
20-Day or Less/Assigned Lead-Time Order Information	
Keyed-Alike Information	
Customer's Own Material Order Information-Workspaces	
Textiles Application Chart-Workspaces	
Textiles Application Chart-Seating	
Textile Colors	
<b>For the latest materials information, refer to the Materials pages on HermanMiller.com.</b>	

# Introduction

## A Note on the Organization of This Book

There are a few signals that will help you understand the organization of this book. Once you know them, you should be able to find your way around easily.

### Like a newspaper, this book is formatted with columns of text and illustrations that run vertically.

Information wraps from one column to the next and continues for as many pages as it needs to.

### Black bars are clues.

A black bar at the top of a page signals the start of information about a product.

This information is divided into two sections, each signaled by a black bar. Product Information includes a description, additional notes, and dimensional drawings. Specification Information, which always begins at the top of a column, includes a series of steps. Each step represents a decision you need to make in order to complete your product number. Steps must be followed sequentially. The number of pages needed to complete information on a product varies; some will be complete in one page; others may fill three or four pages. Just continue going through the steps until you run into the next product, signaled by the black bar at the top of the page.

Black tabs running along the outside edge of the page help you locate what section you are in or what section you want to go to. You can thumb forwards or backwards to find a section; tabs and text appear on both sides of the page.

The additional pages in the back of the book include the appendices and indices. They are signaled by a long black bar running along the outside edge of the page.

### The index is presented two ways.

The first index is in alphabetical order by product name. It can be helpful if you are new to the products and numbering scheme or if you are looking for a type of product, such as work chair or round table.

The second index is by product number. It lists, in alphanumeric order, the base product number, typically a five-digit number.

## General Information

This book is effective July 1, 2024, subject to change without notice. Products may be purchased from authorized Herman Miller dealers who will quote prices upon request. For more information about our products and services or to see a list of dealers, visit [www.HermanMiller.com](http://www.HermanMiller.com).


All prices are list prices. Additional services, such as planning services, design, storage, and installation, are not included and must be added to these prices when the additional services are requested.


Illustrations, specifications, and prices are based on the latest information at the time of publication. The right is reserved to make changes at any time without notice in prices, fabrics, finishes, materials, specifications, and models, and also to discontinue models and finishes.

Dimensions shown in the drawings are engineering drawing dimensions rounded up to the nearest  $\frac{1}{8}$ ". Product is shipped set up or knocked down. Products that include "Shipped knocked down" in the description require some assembly. If this statement does not appear in the description, the product is shipped assembled.

Service problems are normally handled by a Herman Miller authorized dealer. Where this cannot be accomplished on a local level, service problems should be referred to the Customer Care Representative for your region, Herman Miller, Inc., Zeeland, Michigan 49464.

### 20-Day or Less/Assigned Lead-Time Shipments

All products and options in this price book not designated by an Assigned Program icon  will ship in **20 business days or less** after being acknowledged by Herman Miller.

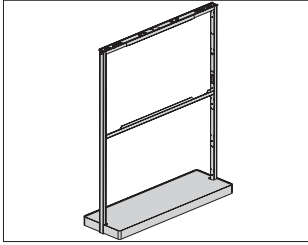
Products and options designated by an  are on the assigned lead-time program and may ship in 20 days, less than 20 days, or more than 20 days from order acknowledgement.

- OE1 Boundary
- OE1 Height Adjustable Micro Packs
- OE1 Communal Tables
- OE1 Fixed Height Tables
- OE1 Screens
- OE1 Storage
- OE1 Community Elements
- OE1 Accessories



# OE1 Agile Wall, Frame with Casters

HZ100.



## Product Information

### Description

This frame holds individual tiles on both sides and accommodates lower shelving and comes on casters. Frame can adjoin to an adjacent OE1 Workspace Collection™ Agile Wall frame.

### Notes

Order the following products separately:

- Upper tile (HZ130.) and lower tile (HZ140.)
- Bottom shelves (HZ150.)
- Monitor mount (HZ170.)

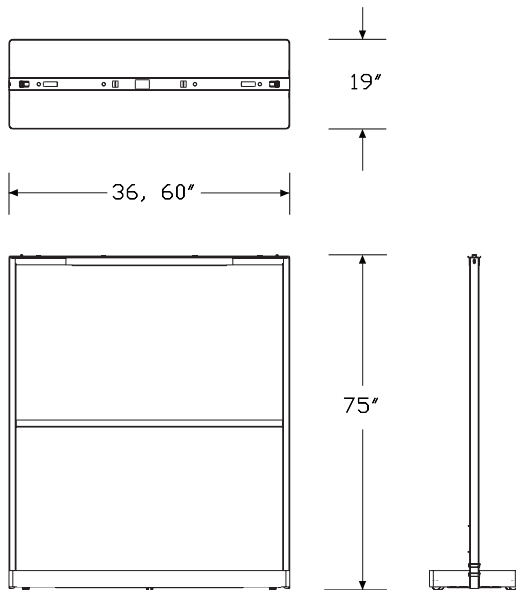
OE1 agile wall base finish matches frame finish.

Casters are non-locking and are concealed beneath the base.

Top alignment clip to adjoin multiple OE1 agile wall frames is included.

See planning guide for additional information.

## Dimensions



## Specification Information

### Step 1.

**HZ100.**

### Step 2. Height

**75** 75" high

### Step 3. Width

**36** 36" wide

**60** 60" wide

### Step 4. Frame Type

**1** frame for tiles only

**2** frame for tiles on top and shelving on bottom

### Prices for Steps 1-4.

	<b>1</b>	<b>2</b>
<b>HZ100. 75 36</b>	\$3070	3070
<b>60</b>	\$3935	3935

### Step 5. Frame/Base Finish

#### Metallic Paint

*For 36" wide (36)*

**SNA** satin aluminum +\$80

#### Sand Texture Paint

*For 36" wide (36)*

**8Q** folkstone grey (CP) +\$0

**91** white (CP) +\$0

**98** studio white (CP) +\$0

**BK** black +\$0

**DB3** glacier +\$60

**DN2** nightfall +\$60

**DR1** canyon +\$60

**OLF** olive +\$60

**UBK** ultra black (CP) +\$0

#### Metallic Paint

*For 60" wide (60)*

**SNA** satin aluminum +\$120

OE1 Agile Wall, Frame with  
Casters *continued*

OE1 Boundary

---

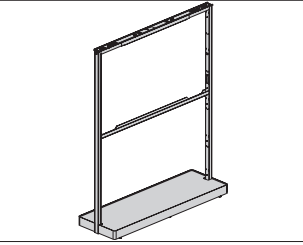
Sand Texture Paint  
For 60" wide (60)

---

<b>8Q</b>	folkstone grey (CP)	+\$0
<b>91</b>	white (CP)	+\$0
<b>98</b>	studio white (CP)	+\$0
<b>BK</b>	black	+\$0
<b>DB3</b>	glacier	+\$100
<b>DN2</b>	nightfall	+\$100
<b>DR1</b>	canyon	+\$100
<b>OLF</b>	olive	+\$100
<b>UBK</b>	ultra black (CP)	+\$0

# OE1 Agile Wall, Frame with Glides

HZ110.



## Product Information

### Description

This frame holds individual tiles on both sides and accommodates lower shelving and comes on glides. Frame can adjoin to an adjacent OE1 Workspace Collection™ Agile Wall frame.

### Notes

Glides provide 1½" of leveling adjustment.

Order the following products separately:

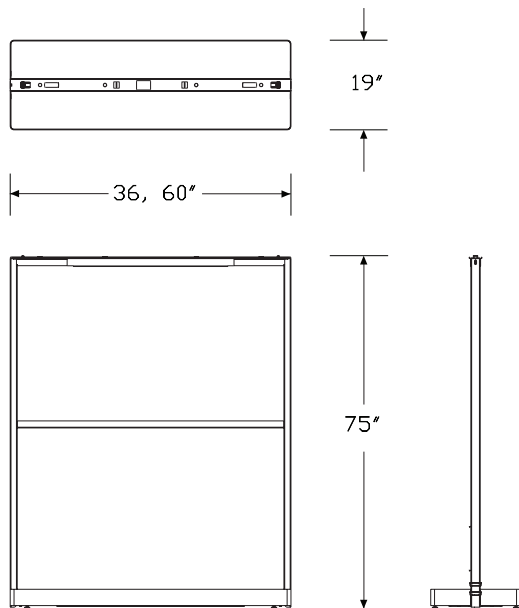
- Upper tile (HZ130.) and lower tile (HZ140.)
- Bottom shelves (HZ150.)
- Monitor mount (HZ170.)

OE1 agile wall base finish matches frame finish.

Top alignment clip to adjoin multiple OE1 agile wall frames is included.

See planning guide for additional information.

### Dimensions



## Specification Information

### Step 1.

**HZ110.**

### Step 2. Height

**75** 75" high

### Step 3. Width

**36** 36" wide

**60** 60" wide

### Step 4. Frame Type

**1** frame for tiles only

**2** frame for tiles on top and shelving on bottom

### Prices for Steps 1-4.

	<b>1</b>	<b>2</b>
<b>HZ110. 75 36</b>	\$2930	2930
<b>60</b>	\$3755	3755

### Step 5. Frame/Base Finish

#### Metallic Paint

*For 36" wide (36)*

**SNA** satin aluminum +\$80

#### Sand Texture Paint

*For 36" wide (36)*

**8Q** folkstone grey (CP) +\$0

**91** white (CP) +\$0

**98** studio white (CP) +\$0

**BK** black +\$0

**DB3** glacier +\$60

**DN2** nightfall +\$60

**DR1** canyon +\$60

**OLF** olive +\$60

**UBK** ultra black (CP) +\$0

#### Metallic Paint

*For 60" wide (60)*

**SNA** satin aluminum +\$120

OE1 Agile Wall, Frame with  
Glides *continued*

OE1 Boundary

---

Sand Texture Paint  
For 60" wide (60)

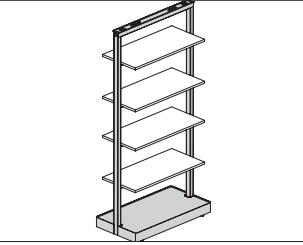
---

<b>8Q</b>	folkstone grey (CP)	+\$0
<b>91</b>	white (CP)	+\$0
<b>98</b>	studio white (CP)	+\$0
<b>BK</b>	black	+\$0
<b>DB3</b>	glacier	+\$100
<b>DN2</b>	nightfall	+\$100
<b>DR1</b>	canyon	+\$100
<b>OLF</b>	olive	+\$100
<b>UBK</b>	ultra black (CP)	+\$0



OE1 Agile Wall, Frame with  
Glides, for Full Height Shelves

HZ120.



**Product Information**

**Description**

This frame accommodates full height shelving and comes on glides. Frame can adjoin to an adjacent OE1 Workspace Collection™ Agile Wall frame.

**Notes**

Glides provide 1½" of leveling adjustment.

Order the following products separately:

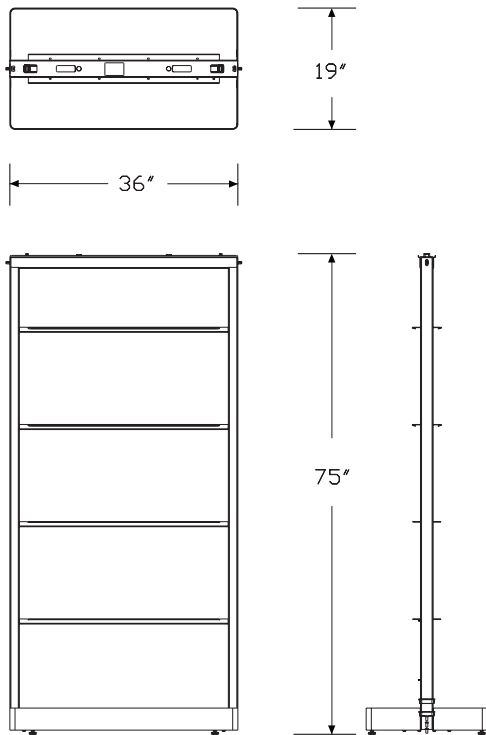
- Full height shelves (HZ160.)

OE1 agile wall base finish matches frame finish.

Top alignment clip to adjoin multiple OE1 agile wall frames is included.

See planning guide for additional information.

**Dimensions**



**Specification Information**

**Step 1.**

**HZ120.**

**Step 2. Height**

**75** 75" high

**Step 3. Width**

**36** 36" wide

**Step 4. Frame Type**

**1** frame for full shelving

**Prices for Steps 1-4.**

	<b>1</b>
<b>HZ120. 75 36</b>	<b>\$2930</b>

**Step 5. Frame/Base Finish**

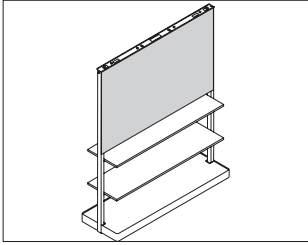
**Metallic Paint**

<b>SNA</b> satin aluminum	<b>+\$80</b>
---------------------------	--------------

**Sand Texture Paint**

<b>8Q</b> folkstone grey (CP)	<b>+\$0</b>
<b>91</b> white (CP)	<b>+\$0</b>
<b>98</b> studio white (CP)	<b>+\$0</b>
<b>BK</b> black	<b>+\$0</b>
<b>DB3</b> glacier	<b>+\$60</b>
<b>DN2</b> nightfall	<b>+\$60</b>
<b>DR1</b> canyon	<b>+\$60</b>
<b>OLF</b> olive	<b>+\$60</b>
<b>UBK</b> ultra black (CP)	<b>+\$0</b>

OE1 Boundary



OE1 Boundary

**Product Information**

**Description**

This upper tile attaches to 1 side of a frame and is available in a tackable fabric, markerboard, laminate or veneer surface.

**Notes**

Specify width of tile to match width of frame.

Pair with OE1 frame with casters (HZ100.) or OE1 frame with glides (HZ110.), ordered separately.

Fabric version contains knockout for optional monitor mount. Order OE1 agile wall, monitor mount (HZ170.) separately.

When specifying tackable fabric, horizontal option (R), fabric direction is horizontal (railroaded).

Fabric-covered tile accepts Customer's Own Material (COM).

**Width (Surface Material)—Yardage**

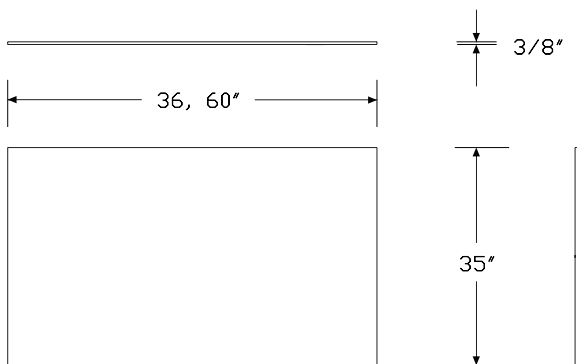
36 (R)—1.23

36 (T)—1.23

60 (R)—1.95

For information on multiple quantities or nondirectional fabrics, contact COM Department. See Order Information in appendices. See planning guide for additional information.

**Dimensions**



**Specification Information**

**Step 1.**

**HZ130.**

**Step 2. Height**

**35** 35" high

**Step 3. Width**

**36** 36" wide

**60** 60" wide

**Step 4. Surface Material**

*For 36" wide (36)*

**T** tackable fabric

**R** tackable fabric, horizontal

**M** marker board

**L** high-pressure laminate / thermoplastic edge

**W** veneer/veneer edge

*For 60" wide (60)*

**R** tackable fabric, horizontal

**M** marker board

**L** high-pressure laminate / thermoplastic edge

**W** veneer/veneer edge

**Prices for Steps 1-4.**

	T	R	M	L	W
<b>HZ130. 35 36</b>	\$561	571	1006	686	1233
<b>60</b>	—	\$856	1453	1202	2162

**Step 5. Grain Direction**

*For high-pressure laminate / thermoplastic edge (L) or veneer/veneer edge (W)*

**HRG** horizontal grain +\$0

**VTG** vertical grain +\$0

**Step 6. Fabric**

*For 36" wide (36) with tackable fabric (T), or tackable fabric, horizontal (R)*

Price Category 1 +\$0

Price Category 2 +\$20

Price Category 3 +\$46

Price Category 4 +\$78

Price Category 5 +\$130

Price Category C +\$110

<i>For 60" wide (60) with tackable fabric, horizontal (R)</i>	
Price Category 1	+\$0
Price Category 2	+\$31
Price Category 3	+\$72
Price Category 4	+\$122
Price Category 5	+\$204
Price Category C	+\$174

**Step 7. Tile Finish**

<i>For high-pressure laminate / thermoplastic edge (L)</i>	
<b>125</b> natural maple (CP) <span style="border: 1px solid black; padding: 0 2px;">A</span>	+\$0
<b>126</b> natural cherry (CP) <span style="border: 1px solid black; padding: 0 2px;">A</span>	+\$0
<b>127</b> walnut (CP) <span style="border: 1px solid black; padding: 0 2px;">A</span>	+\$0
<b>139</b> light ash (CP) <span style="border: 1px solid black; padding: 0 2px;">A</span>	+\$0
<b>140</b> warm ash (CP) <span style="border: 1px solid black; padding: 0 2px;">A</span>	+\$0
<b>76</b> light brown walnut	+\$0
<b>8Q</b> folkstone grey (CP)	+\$0
<b>91</b> white (CP)	+\$0
<b>98</b> studio white (CP)	+\$0
<b>CL</b> cool grey neutral	+\$0
<b>HF</b> inner tone light	+\$0
<b>HP</b> light anigre	+\$0
<b>LBA</b> clear on ash (CP)	+\$0
<b>LBB</b> oak on ash (CP)	+\$0
<b>LBC</b> walnut on ash (CP)	+\$0
<b>LBF</b> neutral twill	+\$0
<b>LBJ</b> graphite twill	+\$0
<b>LBQ</b> white twill	+\$0
<b>LBR</b> phantom ecru <span style="border: 1px solid black; padding: 0 2px;">A</span>	+\$0
<b>LBS</b> phantom cocoa <span style="border: 1px solid black; padding: 0 2px;">A</span>	+\$0
<b>LBU</b> medium matte walnut (CP) <span style="border: 1px solid black; padding: 0 2px;">A</span>	+\$0
<b>LBV</b> warm grey teak <span style="border: 1px solid black; padding: 0 2px;">A</span>	+\$0
<b>LT</b> light tone	+\$0
<b>LU</b> soft white	+\$0
<b>WL</b> warm stone (CP)	+\$0
<b>WN</b> warm grey neutral	+\$0
<b>ZZ</b> open line high-pressure laminate (nonstandard) <span style="border: 1px solid black; padding: 0 2px;">A</span>	+\$100

<i>For 36" wide (36) with veneer/veneer edge (W)</i>	
<b>2U</b> light brown walnut <span style="border: 1px solid black; padding: 0 2px;">A</span>	+\$85
<b>40</b> dark brown walnut <span style="border: 1px solid black; padding: 0 2px;">A</span>	+\$85
<b>CHD</b> noble cherry <span style="border: 1px solid black; padding: 0 2px;">A</span>	+\$85
<b>ET</b> clear on ash <span style="border: 1px solid black; padding: 0 2px;">A</span>	+\$85
<b>EU</b> oak on ash <span style="border: 1px solid black; padding: 0 2px;">A</span>	+\$85
<b>EV</b> walnut on ash <span style="border: 1px solid black; padding: 0 2px;">A</span>	+\$85
<b>EW</b> medium matte walnut <span style="border: 1px solid black; padding: 0 2px;">A</span>	+\$85
<b>OK</b> white oak <span style="border: 1px solid black; padding: 0 2px;">A</span>	+\$85
<b>OU</b> walnut <span style="border: 1px solid black; padding: 0 2px;">A</span>	+\$85
<b>UL</b> natural maple <span style="border: 1px solid black; padding: 0 2px;">A</span>	+\$85
<b>WHN</b> natural white oak <span style="border: 1px solid black; padding: 0 2px;">A</span>	+\$85

<i>For 60" wide (60) with veneer/veneer edge (W)</i>	
<b>2U</b> light brown walnut <span style="border: 1px solid black; padding: 0 2px;">A</span>	+\$85
<b>40</b> dark brown walnut <span style="border: 1px solid black; padding: 0 2px;">A</span>	+\$85
<b>CHD</b> noble cherry <span style="border: 1px solid black; padding: 0 2px;">A</span>	+\$85
<b>ET</b> clear on ash <span style="border: 1px solid black; padding: 0 2px;">A</span>	+\$85
<b>EU</b> oak on ash <span style="border: 1px solid black; padding: 0 2px;">A</span>	+\$85
<b>EV</b> walnut on ash <span style="border: 1px solid black; padding: 0 2px;">A</span>	+\$85
<b>EW</b> medium matte walnut <span style="border: 1px solid black; padding: 0 2px;">A</span>	+\$85
<b>OK</b> white oak <span style="border: 1px solid black; padding: 0 2px;">A</span>	+\$85
<b>OU</b> walnut <span style="border: 1px solid black; padding: 0 2px;">A</span>	+\$85
<b>UL</b> natural maple <span style="border: 1px solid black; padding: 0 2px;">A</span>	+\$85
<b>WHN</b> natural white oak <span style="border: 1px solid black; padding: 0 2px;">A</span>	+\$85

Step 8. Edge Finish

*For high-pressure laminate / thermoplastic edge (L)*

<b>125</b>	natural maple (CP)	+\$0
<b>126</b>	natural cherry (CP)	+\$0
<b>127</b>	walnut (CP)	+\$0
<b>139</b>	light ash (CP)	+\$0
<b>140</b>	warm ash (CP)	+\$0
<b>76</b>	light brown walnut	+\$0
<b>8Q</b>	folkstone grey (CP)	+\$0
<b>91</b>	white (CP)	+\$0
<b>98</b>	studio white (CP)	+\$0
<b>CL</b>	cool grey neutral	+\$0
<b>HF</b>	inner tone light	+\$0
<b>HP</b>	light anigre	+\$0
<b>LBA</b>	clear on ash (CP)	+\$0
<b>LBB</b>	oak on ash (CP)	+\$0
<b>LBC</b>	walnut on ash (CP)	+\$0
<b>LBF</b>	neutral twill	+\$0
<b>LBJ</b>	graphite twill	+\$0
<b>LBQ</b>	white twill	+\$0
<b>LBR</b>	phantom ecru	+\$0
<b>LBS</b>	phantom cocoa	+\$0
<b>LBU</b>	medium matte walnut (CP)	+\$0
<b>LBV</b>	warm grey teak	+\$0
<b>LU</b>	soft white	+\$0
<b>WL</b>	warm stone (CP)	+\$0
<b>WN</b>	warm grey neutral	+\$0

Step 9. Markerboard Tray Finish

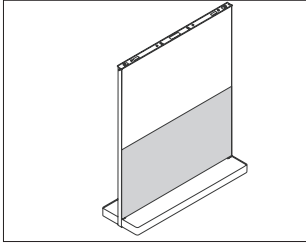
*For marker board (M)*

Metallic Paint

<b>SNA</b>	satin aluminum	+\$10
------------	----------------	-------

Smooth Paint

<b>8Q</b>	folkstone grey (CP)	+\$0
<b>DB3</b>	glacier	+\$8
<b>DN2</b>	nightfall	+\$8
<b>DR1</b>	canyon	+\$8
<b>OLF</b>	olive	+\$8
<b>BK</b>	black	+\$0
<b>UBK</b>	ultra black (CP)	+\$0



**Product Information**

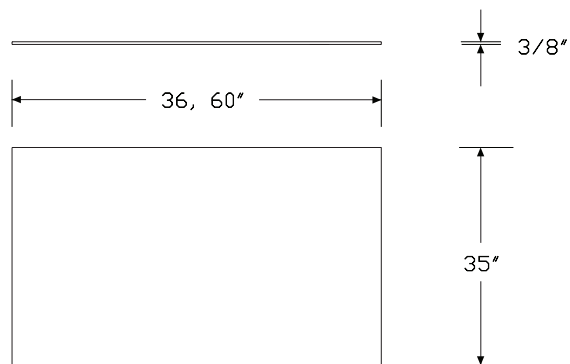
**Description**

This lower tile attaches to 1 side of a frame and is available in a tackable fabric, laminate or veneer surface.

**Notes**

Specify width of tile to match width of frame.  
 Pair with OE1 frame with casters (HZ100.) or OE1 frame with glides (HZ110.), ordered separately.  
 For user power access, specify tackable fabric, horizontal, with power (RP) option. Order OE1 agile wall, monitor mount (HZ170.) separately. The user power module option is only available as part of the monitor mount specification.  
 When specifying tackable fabric, horizontal option (R), fabric direction is horizontal (railroaded).  
 Fabric-covered tile accepts Customer's Own Material (COM).  
 Width (Surface Material)—Yardage  
 36 (R)—1.23  
 36 (T)—1.23  
 60 (R)—1.95  
 For information on multiple quantities or nondirectional fabrics, contact COM Department. See Order Information in appendices. See planning guide for additional information.

**Dimensions**



**Specification Information**

**Step 1.**

**HZ140.**

**Step 2. Height**

**35** 35" high

**Step 3. Width**

**36** 36" wide

**60** 60" wide

**Step 4. Surface Material**

*For 36" wide (36)*

**TN** tackable fabric without power

**RN** tackable fabric, horizontal, without power

**LN** high-pressure laminate/thermoplastic edge without power

**WN** veneer/veneer edge without power

*For 60" wide (60)*

**RN** tackable fabric, horizontal, without power

**RP** tackable fabric, horizontal, with power

**LN** high-pressure laminate/thermoplastic edge without power

**WN** veneer/veneer edge without power

**Prices for Steps 1-4.**

	<b>TN</b>	<b>RN</b>	<b>RP</b>	<b>LN</b>	<b>WN</b>
<b>HZ140. 35 36</b>	\$561	571	—	686	1233
<b>60</b>	—	\$856	856	1202	2162

**Step 5. Grain Direction**

*For high-pressure laminate/thermoplastic edge without power (LN) or veneer/veneer edge without power (WN)*

**HRG** horizontal grain +\$0

**VTG** vertical grain +\$0

**Step 6. Fabric**

*For 36" wide (36) with tackable fabric without power (TN), or tackable fabric, horizontal, without power (RN)*

Price Category 1 +\$0

Price Category 2 +\$20

Price Category 3 +\$46

Price Category 4 +\$78

Price Category 5 +\$130

Price Category C +\$110

*For 60" wide (60) with tackable fabric, horizontal, without power (RN), or tackable fabric, horizontal, with power (RP)*

Price Category 1	+\$0
Price Category 2	+\$31
Price Category 3	+\$72
Price Category 4	+\$122
Price Category 5	+\$204
Price Category C	+\$174

Step 7. Tile Finish

*For high-pressure laminate/thermoplastic edge without power (LN)*

<b>125</b>	natural maple (CP) <input type="checkbox"/>	+\$0
<b>126</b>	natural cherry (CP) <input type="checkbox"/>	+\$0
<b>127</b>	walnut (CP) <input type="checkbox"/>	+\$0
<b>139</b>	light ash (CP) <input type="checkbox"/>	+\$0
<b>140</b>	warm ash (CP) <input type="checkbox"/>	+\$0
<b>76</b>	light brown walnut	+\$0
<b>8Q</b>	folkstone grey (CP)	+\$0
<b>91</b>	white (CP)	+\$0
<b>98</b>	studio white (CP)	+\$0
<b>CL</b>	cool grey neutral	+\$0
<b>HF</b>	inner tone light	+\$0
<b>HP</b>	light anigre	+\$0
<b>LBA</b>	clear on ash (CP)	+\$0
<b>LBB</b>	oak on ash (CP)	+\$0
<b>LBC</b>	walnut on ash (CP)	+\$0
<b>LBF</b>	neutral twill	+\$0
<b>LBJ</b>	graphite twill	+\$0
<b>LBQ</b>	white twill	+\$0
<b>LBR</b>	phantom ecru <input type="checkbox"/>	+\$0
<b>LBS</b>	phantom cocoa <input type="checkbox"/>	+\$0
<b>LBU</b>	medium matte walnut (CP) <input type="checkbox"/>	+\$0
<b>LBV</b>	warm grey teak <input type="checkbox"/>	+\$0
<b>LT</b>	light tone	+\$0
<b>LU</b>	soft white	+\$0
<b>WL</b>	warm stone (CP)	+\$0
<b>WN</b>	warm grey neutral	+\$0
<b>ZZ</b>	open line high-pressure laminate (nonstandard) <input type="checkbox"/>	+\$100

*For 36" wide (36) with veneer/veneer edge without power (WN)*

<b>2U</b>	light brown walnut <input type="checkbox"/>	+\$85
<b>40</b>	dark brown walnut <input type="checkbox"/>	+\$85
<b>CHD</b>	noble cherry <input type="checkbox"/>	+\$85
<b>ET</b>	clear on ash <input type="checkbox"/>	+\$85
<b>EU</b>	oak on ash <input type="checkbox"/>	+\$85
<b>EV</b>	walnut on ash <input type="checkbox"/>	+\$85
<b>EW</b>	medium matte walnut <input type="checkbox"/>	+\$85
<b>OK</b>	white oak <input type="checkbox"/>	+\$85
<b>OU</b>	walnut <input type="checkbox"/>	+\$85
<b>UL</b>	natural maple <input type="checkbox"/>	+\$85
<b>WHN</b>	natural white oak <input type="checkbox"/>	+\$85

*For 60" wide (60) with veneer/veneer edge without power (WN)*

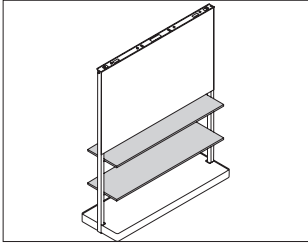
<b>2U</b>	light brown walnut <input type="checkbox"/>	+\$85
<b>40</b>	dark brown walnut <input type="checkbox"/>	+\$85
<b>CHD</b>	noble cherry <input type="checkbox"/>	+\$85
<b>ET</b>	clear on ash <input type="checkbox"/>	+\$85
<b>EU</b>	oak on ash <input type="checkbox"/>	+\$85
<b>EV</b>	walnut on ash <input type="checkbox"/>	+\$85
<b>EW</b>	medium matte walnut <input type="checkbox"/>	+\$85
<b>OK</b>	white oak <input type="checkbox"/>	+\$85
<b>OU</b>	walnut <input type="checkbox"/>	+\$85
<b>UL</b>	natural maple <input type="checkbox"/>	+\$85
<b>WHN</b>	natural white oak <input type="checkbox"/>	+\$85

Step 8. Edge Finish

*For high-pressure laminate/thermoplastic edge without power (LN)*

<b>125</b>	natural maple (CP)	+\$0
<b>126</b>	natural cherry (CP)	+\$0
<b>127</b>	walnut (CP)	+\$0
<b>139</b>	light ash (CP)	+\$0
<b>140</b>	warm ash (CP)	+\$0
<b>76</b>	light brown walnut	+\$0
<b>8Q</b>	folkstone grey (CP)	+\$0
<b>91</b>	white (CP)	+\$0
<b>98</b>	studio white (CP)	+\$0
<b>CL</b>	cool grey neutral	+\$0
<b>HF</b>	inner tone light	+\$0
<b>HP</b>	light anigre	+\$0
<b>LBA</b>	clear on ash (CP)	+\$0
<b>LBB</b>	oak on ash (CP)	+\$0
<b>LBC</b>	walnut on ash (CP)	+\$0
<b>LBF</b>	neutral twill	+\$0
<b>LBJ</b>	graphite twill	+\$0
<b>LBQ</b>	white twill	+\$0
<b>LBR</b>	phantom ecru	+\$0
<b>LBS</b>	phantom cocoa	+\$0
<b>LBU</b>	medium matte walnut (CP)	+\$0
<b>LBV</b>	warm grey teak	+\$0
<b>LU</b>	soft white	+\$0
<b>WL</b>	warm stone (CP)	+\$0
<b>WN</b>	warm grey neutral	+\$0

OE1 Agile Wall, Bottom Shelves HZ150.



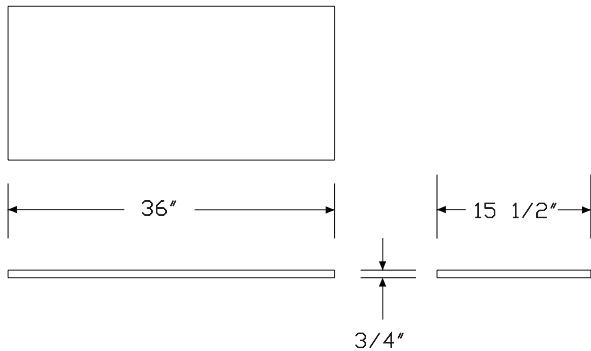
OE1 Boundary

**Product Information**

**Description**  
 These lower shelves pair with an OE1 Workspace Collection™ Agile Wall frame and are available in laminate or veneer. Package quantity is 2 shelves.

**Notes**  
 Pair with OE1 frame with casters (HZ100.) or OE1 frame with glides (HZ110.), ordered separately.  
 2 shelves are included.  
 Grain direction runs horizontally on the shelf.  
 See planning guide for additional information.

**Dimensions**



**Specification Information**

**Step 1.**  
**HZ150.**

**Step 2. Width**  
**36** 36" wide  
**60** 60" wide

**Step 3. Shelf Material**  
**L** high-pressure laminate/thermoplastic edge  
**W** veneer/veneer edge

**Prices for Steps 1-3.**

	L	W
<b>HZ150. 36</b>	\$519	1295
<b>60</b>	\$664	1654

**Step 4. Shelf Finish**

*For high-pressure laminate/thermoplastic edge (L)*

<b>125</b>	natural maple (CP)	+\$0
<b>126</b>	natural cherry (CP)	+\$0
<b>127</b>	walnut (CP)	+\$0
<b>139</b>	light ash (CP)	+\$0
<b>140</b>	warm ash (CP)	+\$0
<b>76</b>	light brown walnut	+\$0
<b>8Q</b>	folkstone grey (CP)	+\$0
<b>91</b>	white (CP)	+\$0
<b>98</b>	studio white (CP)	+\$0
<b>CL</b>	cool grey neutral	+\$0
<b>G1</b>	graphite (CP)	+\$0
<b>HP</b>	light anigre	+\$0
<b>LBA</b>	clear on ash (CP)	+\$0
<b>LBB</b>	oak on ash (CP)	+\$0
<b>LBC</b>	walnut on ash (CP)	+\$0
<b>LBF</b>	neutral twill	+\$0
<b>LBJ</b>	graphite twill	+\$0
<b>LBQ</b>	white twill	+\$0
<b>LBR</b>	phantom ecru	+\$0
<b>LBS</b>	phantom cocoa	+\$0
<b>LBU</b>	medium matte walnut (CP)	+\$0
<b>LBV</b>	warm grey teak	+\$0
<b>LU</b>	soft white	+\$0
<b>WL</b>	warm stone (CP)	+\$0
<b>WN</b>	warm grey neutral	+\$0



# OE1 Agile Wall, Bottom Shelves

continued

## For 36" wide (36) with veneer/veneer edge (W)

<b>2U</b>	light brown walnut <input type="checkbox"/>	+\$85
<b>40</b>	dark brown walnut <input type="checkbox"/>	+\$85
<b>CHD</b>	noble cherry	+\$85
<b>ET</b>	clear on ash <input type="checkbox"/>	+\$85
<b>EU</b>	oak on ash <input type="checkbox"/>	+\$85
<b>EV</b>	walnut on ash <input type="checkbox"/>	+\$85
<b>EW</b>	medium matte walnut <input type="checkbox"/>	+\$85
<b>OK</b>	white oak	+\$85
<b>OU</b>	walnut <input type="checkbox"/>	+\$85
<b>UL</b>	natural maple <input type="checkbox"/>	+\$85
<b>WHN</b>	natural white oak	+\$85

## For 60" wide (60) with veneer/veneer edge (W)

<b>2U</b>	light brown walnut <input type="checkbox"/>	+\$85
<b>40</b>	dark brown walnut <input type="checkbox"/>	+\$85
<b>CHD</b>	noble cherry	+\$85
<b>ET</b>	clear on ash <input type="checkbox"/>	+\$85
<b>EU</b>	oak on ash <input type="checkbox"/>	+\$85
<b>EV</b>	walnut on ash <input type="checkbox"/>	+\$85
<b>EW</b>	medium matte walnut <input type="checkbox"/>	+\$85
<b>OK</b>	white oak	+\$85
<b>OU</b>	walnut <input type="checkbox"/>	+\$85
<b>UL</b>	natural maple <input type="checkbox"/>	+\$85
<b>WHN</b>	natural white oak	+\$85

## Step 5. Edge Finish

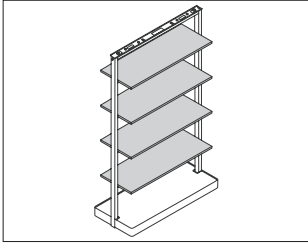
### For high-pressure laminate/thermoplastic edge (L)

<b>125</b>	natural maple (CP)	+\$0
<b>126</b>	natural cherry (CP)	+\$0
<b>127</b>	walnut (CP)	+\$0
<b>139</b>	light ash (CP)	+\$0
<b>140</b>	warm ash (CP)	+\$0
<b>76</b>	light brown walnut	+\$0
<b>8Q</b>	folkstone grey (CP)	+\$0
<b>91</b>	white (CP)	+\$0
<b>98</b>	studio white (CP)	+\$0
<b>CL</b>	cool grey neutral	+\$0
<b>G1</b>	graphite (CP)	+\$0
<b>HF</b>	inner tone light	+\$0
<b>HP</b>	light anigre	+\$0
<b>LBA</b>	clear on ash (CP)	+\$0
<b>LBB</b>	oak on ash (CP)	+\$0
<b>LBC</b>	walnut on ash (CP)	+\$0
<b>LBF</b>	neutral twill	+\$0
<b>LBJ</b>	graphite twill	+\$0
<b>LBQ</b>	white twill	+\$0
<b>LBR</b>	phantom ecru	+\$0
<b>LBS</b>	phantom cocoa	+\$0
<b>LBU</b>	medium matte walnut (CP)	+\$0
<b>LBV</b>	warm grey teak	+\$0
<b>LU</b>	soft white	+\$0
<b>WL</b>	warm stone (CP)	+\$0
<b>WN</b>	warm grey neutral	+\$0

OE1 Boundary

# OE1 Agile Wall, Full Height Shelves

HZ160.



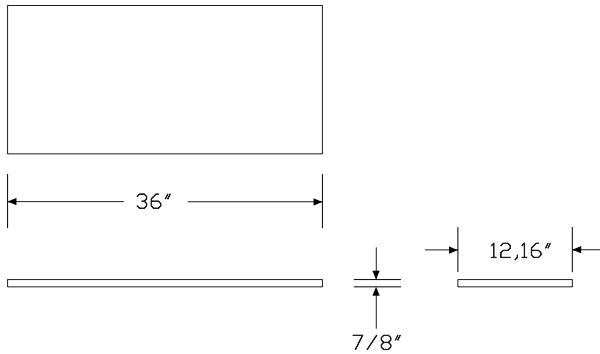
OE1 Boundary

## Product Information

**Description**  
 These full height shelves pair with the OE1 Workspace Collection™ Agile Wall frame for full height shelves and are available in laminate or veneer. Package quantity is 4 shelves.

**Notes**  
 Pair with OE1 frame for full height shelves (HZ120.), ordered separately.  
 4 shelves are included.  
 Grain direction runs horizontally on the shelf.  
 See planning guide for additional information.

## Dimensions



## Specification Information

### Step 1.

**HZ160.**

### Step 2. Width

**36** 36" wide

### Step 3. Shelf Material

**L** high-pressure laminate/thermoplastic edge

**W** veneer/veneer edge

### Prices for Steps 1-3.

	L	W
<b>HZ160. 36</b>	\$1151	2873

### Step 4. Shelf Finish

#### For high-pressure laminate/thermoplastic edge (L)

<b>125</b>	natural maple (CP)	+\$0
<b>126</b>	natural cherry (CP)	+\$0
<b>127</b>	walnut (CP)	+\$0
<b>139</b>	light ash (CP)	+\$0
<b>140</b>	warm ash (CP)	+\$0
<b>76</b>	light brown walnut	+\$0
<b>8Q</b>	folkstone grey (CP)	+\$0
<b>91</b>	white (CP)	+\$0
<b>98</b>	studio white (CP)	+\$0
<b>CL</b>	cool grey neutral	+\$0
<b>G1</b>	graphite (CP)	+\$0
<b>HP</b>	light anigre	+\$0
<b>LBA</b>	clear on ash (CP)	+\$0
<b>LBB</b>	oak on ash (CP)	+\$0
<b>LBC</b>	walnut on ash (CP)	+\$0
<b>LBF</b>	neutral twill	+\$0
<b>LBJ</b>	graphite twill	+\$0
<b>LBQ</b>	white twill	+\$0
<b>LBR</b>	phantom ecru	+\$0
<b>LBS</b>	phantom cocoa	+\$0
<b>LBU</b>	medium matte walnut (CP)	+\$0
<b>LBV</b>	warm grey teak	+\$0
<b>LU</b>	soft white	+\$0
<b>WL</b>	warm stone (CP)	+\$0
<b>WN</b>	warm grey neutral	+\$0

# OE1 Agile Wall, Full Height Shelves *continued*

*For 36" wide (36) with veneer/veneer edge (W)*

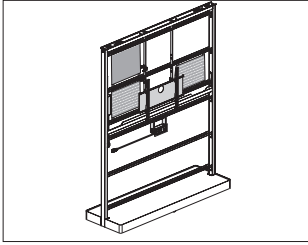
<b>2U</b>	light brown walnut <input type="checkbox"/> A	+\$85
<b>40</b>	dark brown walnut <input type="checkbox"/> A	+\$85
<b>CHD</b>	noble cherry	+\$85
<b>ET</b>	clear on ash <input type="checkbox"/> A	+\$85
<b>EU</b>	oak on ash <input type="checkbox"/> A	+\$85
<b>EV</b>	walnut on ash <input type="checkbox"/> A	+\$85
<b>EW</b>	medium matte walnut <input type="checkbox"/> A	+\$85
<b>OK</b>	white oak	+\$85
<b>OU</b>	walnut <input type="checkbox"/> A	+\$85
<b>UL</b>	natural maple <input type="checkbox"/> A	+\$85
<b>WHN</b>	natural white oak	+\$85

Step 5. Edge Finish

*For high-pressure laminate/thermoplastic edge (L)*

<b>125</b>	natural maple (CP)	+\$0
<b>126</b>	natural cherry (CP)	+\$0
<b>127</b>	walnut (CP)	+\$0
<b>139</b>	light ash (CP)	+\$0
<b>140</b>	warm ash (CP)	+\$0
<b>76</b>	light brown walnut	+\$0
<b>8Q</b>	folkstone grey (CP)	+\$0
<b>91</b>	white (CP)	+\$0
<b>98</b>	studio white (CP)	+\$0
<b>CL</b>	cool grey neutral	+\$0
<b>G1</b>	graphite (CP)	+\$0
<b>HF</b>	inner tone light	+\$0
<b>HP</b>	light anigre	+\$0
<b>LBA</b>	clear on ash (CP)	+\$0
<b>LBB</b>	oak on ash (CP)	+\$0
<b>LBC</b>	walnut on ash (CP)	+\$0
<b>LBF</b>	neutral twill	+\$0
<b>LBJ</b>	graphite twill	+\$0
<b>LBQ</b>	white twill	+\$0
<b>LBR</b>	phantom ecru	+\$0
<b>LBS</b>	phantom cocoa	+\$0
<b>LBU</b>	medium matte walnut (CP)	+\$0
<b>LBV</b>	warm grey teak	+\$0
<b>LU</b>	soft white	+\$0
<b>WL</b>	warm stone (CP)	+\$0
<b>WN</b>	warm grey neutral	+\$0

# OE1 Agile Wall, Monitor Mount HZ170.



OE1 Boundary

## Product Information

### Description

This monitor mount pairs with the OE1 Workspace Collection™ fabric upper tile and provides 3 mounting configurations with the option for a user accessible power strip. Mount can be placed to accommodate a seated or standing posture.

### Notes

Order the following products separately:

- OE1 fabric upper tile (HZ130.3560R)-for use with monitor mount
- OE1 fabric lower tile (HZ140.3560RP)-for use with user power on single side
- OE1 frame with casters (HZ100.) or OE1 frame with glides (HZ110.)

Monitor mount works on OE1 fabric upper tile (HZ130.) only.

Monitor mount color is always black.

When specifying user power (1P, 2P, 3P) options, order OE1 fabric lower tile (HZ140.3560RP) separately.

When applicable option is specified, interior power strip and user power module will be included.

2 interior technology panels ship with configurations 1N and 1P.

3 interior technology panels ship with configurations 2N, 2P, 3N, and 3P.

Monitor and user power for 60"-wide frames only.

To mount 1 monitor on 1 side of an OE1 agile wall, specify monitor configuration (1).

To mount 2 monitors, 1 on each side of an OE1 agile wall at the same height, specify monitor configuration (2).

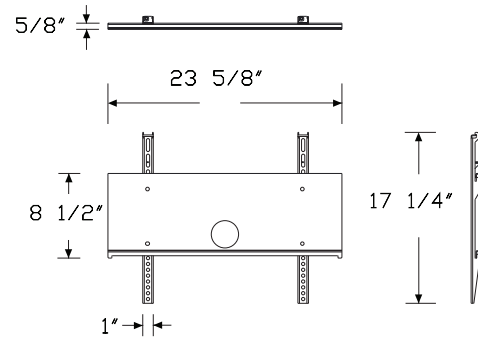
To mount 2 monitors, 1 on each side of an OE1 agile wall at different heights, specify monitor configuration (3).

Bracket comes with counterweights. The same number of counterweights are required for 1 or 2 monitors.

Center septum of bracket is the same for 1 or 2 monitors. Specifying 1 or 2 will give the outside mounting bracket.

See OE1 Agile Wall Tech Guide and OE1 planning guide for additional information.

## Dimensions



# OE1 Agile Wall, Monitor Mount

continued

## Specification Information

### Step 1.

**HZ170.**

### Step 2. Monitor Configuration

- 1** mounting one monitor at any height on upper tile
- 2** mounting two monitors at the same height, opposite sides on upper tile
- 3** mounting two monitors at different heights, opposite sides on upper tile

### Step 3. User Power

- N** no user power
- P** user power on single side

### Step 4. Interior Technology Support

- N** no interior technology
- T** interior power strip + technology panels

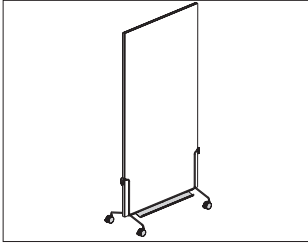
### Prices for Steps 1-4.

		N	T
<b>HZ170. 1</b>	<b>N</b>	\$1006	1603
	<b>P</b>	\$2206	2801
<b>2</b>	<b>N</b>	\$1258	2062
	<b>P</b>	\$2536	3341
<b>3</b>	<b>N</b>	\$1508	2312
	<b>P</b>	\$2790	3594

### Step 5. Power Strip Finish

*For user power on single side (P)*

<b>OH</b>	black	+\$0
<b>OJ</b>	white	+\$0



OE1 Boundary

**Product Information**

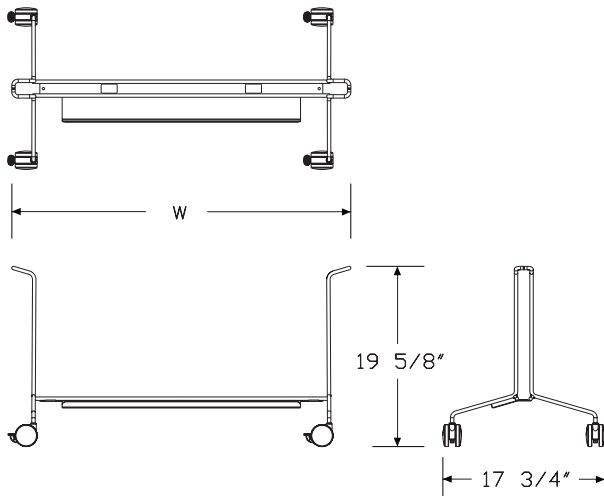
**Description**

This Mobile Easel Base accepts an OE1 Workspace Collection™ Project Board and comes with an integrated accessory tray. Base is on casters that are lockable.

**Notes**

- Use with OE1 Project Board (HZ210.), ordered separately.
- OE1 Project Board secures into mobile base via a board latch.
- Multiple Mobile Easel Bases can nest together for ease of storage.
- Accessory tray finish matches specified base finish.
- Metallic and satin paints are smooth.

**Dimensions**



**Specification Information**

**Step 1.**

**HZ200.**

**Step 2. Width**

- 36** 36" wide
- 48** 48" wide

**Prices for Steps 1-2.**

<b>HZ200. 36</b>	\$1184
<b>48</b>	\$1515

**Step 3. Board Latch Finish**

**Sand Texture Paint**

<b>UBK</b> ultra black (CP)	+\$0
<b>98</b> studio white (CP)	+\$0
<b>8Q</b> folkstone grey (CP)	+\$0
<b>BK</b> black	+\$0

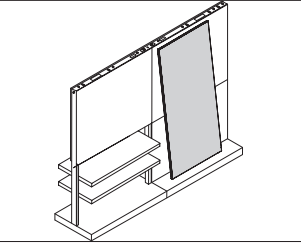
**Step 4. Base Frame Finish**

**Metallic Paint**

<b>SNA</b> satin aluminum <span style="border: 1px solid black; padding: 0 2px;">A</span>	+\$10
---	-------

**Sand Texture Paint**

<b>8Q</b> folkstone grey (CP)	+\$0
<b>91</b> white (CP)	+\$0
<b>98</b> studio white (CP)	+\$0
<b>BK</b> black	+\$0
<b>DB3</b> glacier <span style="border: 1px solid black; padding: 0 2px;">A</span>	+\$8
<b>DN2</b> nightfall <span style="border: 1px solid black; padding: 0 2px;">A</span>	+\$8
<b>DR1</b> canyon <span style="border: 1px solid black; padding: 0 2px;">A</span>	+\$8
<b>OLF</b> olive <span style="border: 1px solid black; padding: 0 2px;">A</span>	+\$8
<b>UBK</b> ultra black (CP)	+\$0



**Product Information**

**Description**

This user-movable project board pairs with multiple products within the OE1 Workspace Collection™. It can connect into the OE1 Mobile Easel Base or OE1 Wall Rail Kit or rest against an OE1 Agile Wall frame. Board is available in markerboard or tackable fabric with an option for MicrobeCare™.

**Notes**

When specifying fabric project board (F) or fabric project board, with MicrobeCare™ (E), fabric direction is vertical.

Fabric is tackable.

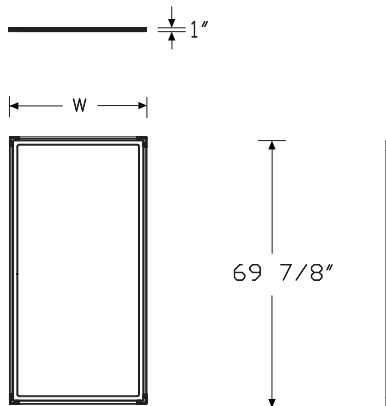
Project board is compatible with the following products:

- OE1 mobile easel base (HZ200.)
- OE1 wall rail kit (HZ220.)
- OE1 agile wall frames (HZ100., HZ110.)
- OE1 flip chart hook, pair (HZ920.)
- OE1 marker cup (Y7235.)

Project board accepts Customer's Own Material (COM). COM requires 4.79 yards.

See planning guide for additional information.

**Dimensions**



**Specification Information**

**Step 1.**

**HZ210.**

**Step 2. Height**

**70** 70" high

**Step 3. Width**

**36** 36" wide

**48** 48" wide

**Step 4. Project Board Type**

- E** fabric project board, with MicrobeCare™
- F** fabric project board
- M** markerboard project board

**Prices for Steps 1-4.**

	<b>E</b>	<b>F</b>	<b>M</b>
<b>HZ210. 70 36</b>	\$2252	2168	1508
<b>48</b>	\$2644	2540	1673

**Step 5. Edge Finish**

*For markerboard project board (M)*

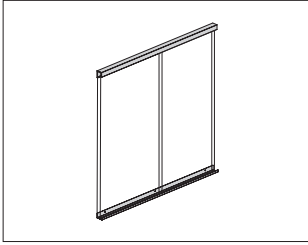
- WMB** markerboard white +\$0
- 8Q** folkstone grey (CP) +\$0
- BK** black +\$0

**Step 6. Fabric**

*For fabric project board, with MicrobeCare™ (E) or fabric project board (F)*

Price Category 1	+\$0
Price Category 2	+\$73
Price Category 3	+\$167
Price Category 4	+\$287
Price Category 5	+\$475
Price Category B	+\$296
Price Category C	+\$404
Price Category E	+\$614

OE1 Boundary



OE1 Boundary

**Product Information**

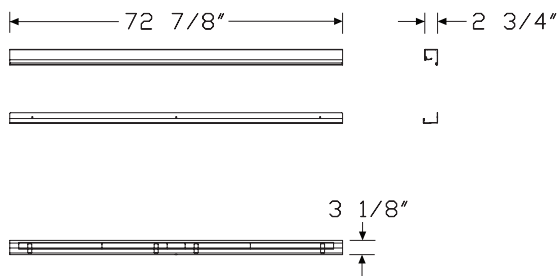
**Description**

This set of top and bottom rails attaches to an architectural wall to accommodate OE1 Workspace Collection™ Project Boards. Screws to attach to wall are included; wall anchor must be sourced according to the installation guidelines for a given wall type.

**Notes**

- 36" wide rails accommodate 1 project board vertically.
- 72" wide rails accommodate 2 project boards vertically or 1 project board horizontally.
- Metallic and satin paints are smooth.
- Use with OE1 Project Board (HZ210.), ordered separately.
- See planning guide for additional information.

**Dimensions**



**Specification Information**

**Step 1.**

**HZ220.**

**Step 2. Width**

- 36** 36" wide for one vertical board
- 72** 72" wide for two vertical boards or one horizontal board

**Prices for Steps 1-2.**

<b>HZ220. 36</b>	\$453
<b>72</b>	\$701

**Step 3. Rail Finish**

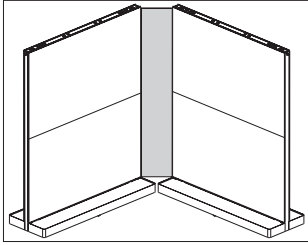
**Metallic Paint**

<b>611</b>	beige mist metallic (CP)	+\$0
<b>613</b>	silver (CP)	+\$0
<b>SNA</b>	satin aluminum	+\$30
<b>SNB</b>	satin bronze	+\$30
<b>SNC</b>	satin carbon	+\$30

**Sand Texture Paint**

<b>UBK</b>	ultra black (CP)	+\$0
<b>8Q</b>	folkstone grey (CP)	+\$0
<b>91</b>	white (CP)	+\$0
<b>98</b>	studio white (CP)	+\$0
<b>BK</b>	black	+\$0
<b>G1</b>	graphite (CP)	+\$0
<b>WL</b>	warm stone (CP)	+\$0
<b>DB3</b>	glacier	+\$20
<b>DN2</b>	nightfall	+\$20
<b>DR1</b>	canyon	+\$20
<b>OLF</b>	olive	+\$20





**Product Information**

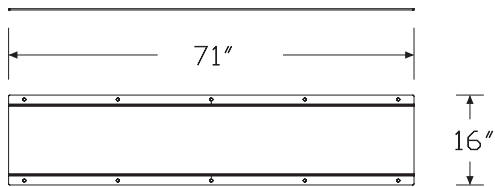
**Description**

This user-movable corner cover fills the gap between 2 perpendicular agile wall structures. Attachment is magnetic.

**Notes**

See planning guide for additional information.

**Dimensions**



**Specification Information**

**Step 1.**

**HZ230.**

**Step 2. Height**

**72** 71" high

**Step 3. Width**

**16** 16" wide

**Prices for Steps 1-3.**

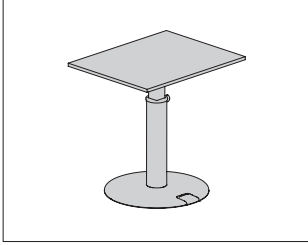
	<b>16</b>
<b>HZ230. 72</b>	<b>\$375</b>

**Step 4. Finish**

<b>PHA</b>	heathered alpine	+\$0
<b>PHL</b>	heathered charcoal	+\$0

# OE1 Sit-to-Stand Table, Rectangular Square Corner

HZ270S



OE1 Height Adjustable Micro Packs

## Product Information

### Description

This height-adjustable table has a single-column electric lift mechanism and a rectangular worksurface with square corners. Worksurface comes in laminate or veneer. A foot-operated rocker switch mounted on the base activates the table lift mechanism. Shipped knocked down. Product is UL Listed.

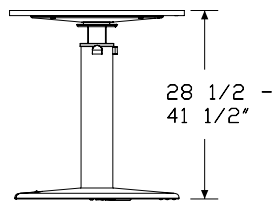
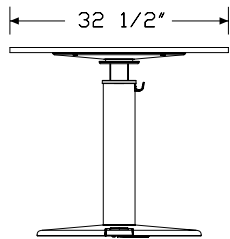
### Notes

Floor to top-of-surface height adjustment range is 28.35" to 46.32".

Multi-ply edge available with laminate worksurfaces only.

Height adjustment is located on table base and is foot activated.

### Dimensions



## Specification Information

### Step 1.

**HZ270**

### Step 2. Edge

**S.** squared-edge

### Step 3. Depth

**26** 26" deep

### Step 4. Width

**32** 32.5" wide

### Step 5. Surface Material

**M** thermally fused laminate top/thermoplastic edge

**T** thermally fused laminate top/universal edge

**W** veneer top/veneer edge

### Prices for Steps 1-5.

	<b>M</b>	<b>T</b>	<b>W</b>
<b>HZ270S. 26 32</b>	\$2683	2683	3232

### Step 6. Top Finish

#### For thermally fused laminate top/thermoplastic edge (M)

<b>125</b>	natural maple (CP)	+\$0
<b>126</b>	natural cherry (CP)	+\$0
<b>127</b>	walnut (CP)	+\$0
<b>139</b>	light ash (CP)	+\$0
<b>140</b>	warm ash (CP)	+\$0
<b>8Q</b>	folkstone grey (CP)	+\$0
<b>91</b>	white (CP)	+\$0
<b>98</b>	studio white (CP)	+\$0
<b>LBA</b>	clear on ash (CP)	+\$0
<b>LBB</b>	oak on ash (CP)	+\$0
<b>LBC</b>	walnut on ash (CP)	+\$0
<b>LBF</b>	neutral twill	+\$0
<b>LBQ</b>	white twill	+\$0
<b>LBU</b>	medium matte walnut (CP)	+\$0

#### For thermally fused laminate top/universal edge (T)

<b>8Q</b>	folkstone grey (CP)	+\$0
<b>91</b>	white (CP)	+\$0
<b>98</b>	studio white (CP)	+\$0

# OE1 Sit-to-Stand Table, Rectangular Square Corner

continued

## Step 7. Top/Edge Finish

*For veneer top/veneer edge (W)*

<b>OU</b>	walnut <input type="checkbox"/> A	+\$85
<b>WHN</b>	natural white oak <input type="checkbox"/> A	+\$85

## Step 8. Edge Finish

*For thermally fused laminate top/thermoplastic edge (M)*

<b>125</b>	natural maple (CP)	+\$0
<b>126</b>	natural cherry (CP)	+\$0
<b>127</b>	walnut (CP)	+\$0
<b>139</b>	light ash (CP)	+\$0
<b>140</b>	warm ash (CP)	+\$0
<b>8Q</b>	folkstone grey (CP)	+\$0
<b>91</b>	white (CP)	+\$0
<b>98</b>	studio white (CP)	+\$0
<b>LBA</b>	clear on ash (CP)	+\$0
<b>LBB</b>	oak on ash (CP)	+\$0
<b>LBC</b>	walnut on ash (CP)	+\$0
<b>LBF</b>	neutral twill	+\$0
<b>LBQ</b>	white twill	+\$0
<b>LBU</b>	medium matte walnut (CP)	+\$0

*For thermally fused laminate top/universal edge (T)*

<b>PLY</b>	plywood edge	+\$75
------------	--------------	-------

## Step 9. Leg/Foot Finish

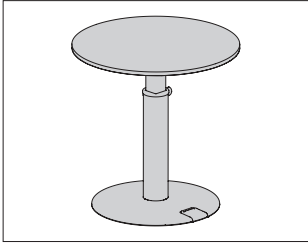
*Sand Texture Paint*

<b>8Q</b>	folkstone grey (CP)	+\$0
<b>98</b>	studio white (CP)	+\$0
<b>BK</b>	black	+\$0
<b>CC1</b>	cocoa	+\$175
<b>DB3</b>	glacier	+\$175
<b>DN2</b>	nightfall	+\$175
<b>OLF</b>	olive	+\$175
<b>UBK</b>	ultra black (CP)	+\$0

## Step 10. Glides

<b>G</b>	glides	+\$0
----------	--------	------

OE1 Sit-to-Stand Table, Round HZ275S



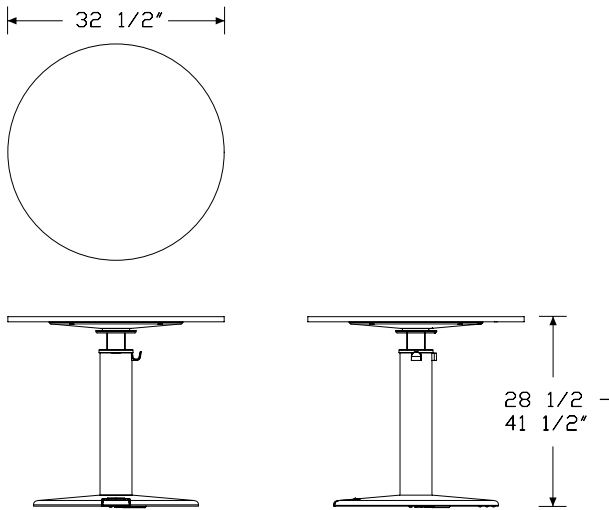
OE1 Height Adjustable Micro Packs

**Product Information**

**Description**  
 This height-adjustable table has a single-column electric lift mechanism and a round worksurface available in laminate or veneer. A foot-operated rocker switch mounted on the base activates the table lift mechanism. Shipped knocked down. Product is UL Listed.

**Notes**  
 Floor to top-of-surface height adjustment range is 28.35" to 46.32".  
 Multi-ply edge available with laminate worksurfaces only.  
 Height adjustment is located on table base and is foot activated.

**Dimensions**



**Specification Information**

**Step 1.**  
**HZ275**

**Step 2. Edge**  
**S.** squared-edge

**Step 3. Diameter**  
**32** 32" diameter

**Step 4. Surface Material**  
**M** thermally fused laminate top/thermoplastic edge  
**W** veneer top/veneer edge  
**Y** thermally fused laminate top/multi ply edge

Prices for Steps 1-4.

	M	W	Y
<b>HZ275S. 32</b>	\$3019	3568	3019

**Step 5. Top Finish**

*For thermally fused laminate top/thermoplastic edge (M)*

<b>125</b>	natural maple (CP)	+\$0
<b>126</b>	natural cherry (CP)	+\$0
<b>127</b>	walnut (CP)	+\$0
<b>139</b>	light ash (CP)	+\$0
<b>140</b>	warm ash (CP)	+\$0
<b>8Q</b>	folkstone grey (CP)	+\$0
<b>91</b>	white (CP)	+\$0
<b>98</b>	studio white (CP)	+\$0
<b>LBA</b>	clear on ash (CP)	+\$0
<b>LBB</b>	oak on ash (CP)	+\$0
<b>LBC</b>	walnut on ash (CP)	+\$0
<b>LBF</b>	neutral twill	+\$0
<b>LBQ</b>	white twill	+\$0
<b>LBU</b>	medium matte walnut (CP)	+\$0

*For thermally fused laminate top/multi ply edge (Y)*

<b>8Q</b>	folkstone grey (CP)	+\$0
<b>91</b>	white (CP)	+\$0
<b>98</b>	studio white (CP)	+\$0

**Step 6. Top/Edge Finish**

*For veneer top/veneer edge (W)*

<b>OU</b>	walnut <input type="checkbox"/> A	+\$85
<b>WHN</b>	natural white oak <input type="checkbox"/> A	+\$85

# OE1 Sit-to-Stand Table, Round

continued

## Step 7. Edge Finish

### For thermally fused laminate top/thermoplastic edge (M)

<b>125</b>	natural maple (CP)	+\$0
<b>126</b>	natural cherry (CP)	+\$0
<b>127</b>	walnut (CP)	+\$0
<b>139</b>	light ash (CP)	+\$0
<b>140</b>	warm ash (CP)	+\$0
<b>8Q</b>	folkstone grey (CP)	+\$0
<b>91</b>	white (CP)	+\$0
<b>98</b>	studio white (CP)	+\$0
<b>LBA</b>	clear on ash (CP)	+\$0
<b>LBB</b>	oak on ash (CP)	+\$0
<b>LBC</b>	walnut on ash (CP)	+\$0
<b>LBF</b>	neutral twill	+\$0
<b>LBQ</b>	white twill	+\$0
<b>LBU</b>	medium matte walnut (CP)	+\$0

### For thermally fused laminate top/multi ply edge (Y)

<b>PDG</b>	multi ply edge	+\$75
------------	----------------	-------

## Step 8. Leg/Foot Finish

### Sand Texture Paint

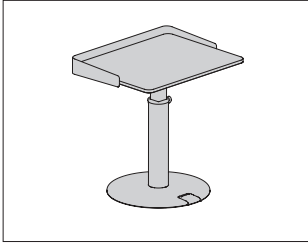
<b>8Q</b>	folkstone grey (CP)	+\$0
<b>98</b>	studio white (CP)	+\$0
<b>BK</b>	black	+\$0
<b>CC1</b>	cocoa	+\$175
<b>DB3</b>	glacier	+\$175
<b>DN2</b>	nightfall	+\$175
<b>OLF</b>	olive	+\$175
<b>UBK</b>	ultra black (CP)	+\$0

## Step 9. Glides

<b>G</b>	glides	+\$0
----------	--------	------

# OE1 Sit-to-Stand Table, Rectangular Round Corner

HZ280S



OE1 Height Adjustable Micro Packs

## Product Information

### Description

This height-adjustable table has a single-column electric lift mechanism and a rectangular worksurface with radius corners. Worksurface comes in laminate or veneer. Optional metal surface surround mounts to underside of worksurface via brackets. A foot-operated rocker switch mounted on the base activates the table lift mechanism. Shipped knocked down. Product is UL Listed.

### Notes

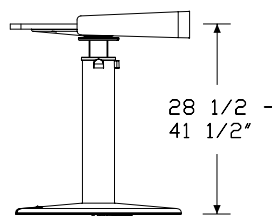
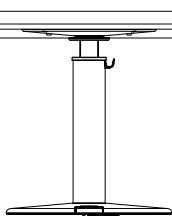
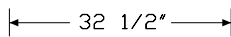
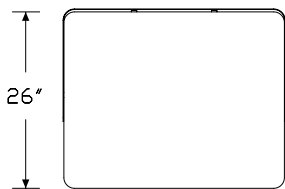
Table surface has predrilled holes on underside for metal surround attachment.

Floor to top-of-surface height adjustment range is 28.35" to 46.32".

Multi-ply edge available with laminate worksurfaces only.

Height adjustment is located on table base and is foot activated.

### Dimensions



## Specification Information

### Step 1.

**HZ280**

### Step 2. Edge

**S.** squared-edge

### Step 3. Depth

**26** 26" deep

### Step 4. Width

**32** 32.5" wide

### Step 5. Surface Material

**M** thermally fused laminate top/thermoplastic edge

**W** veneer top/veneer edge

**Y** thermally fused laminate top/multi ply edge

### Step 6. Surround

**NN** no metal surface surround

**SS** metal surface surround

### Prices for Steps 1-6.

	MNN	MSS	WNN	WSS	YNN	YSS
<b>HZ280S. 26 32</b>	\$2928	3163	3477	3712	2928	3163

### Step 7. Top Finish

#### For thermally fused laminate top/thermoplastic edge (M)

<b>125</b>	natural maple (CP)	+\$0
<b>126</b>	natural cherry (CP)	+\$0
<b>127</b>	walnut (CP)	+\$0
<b>139</b>	light ash (CP)	+\$0
<b>140</b>	warm ash (CP)	+\$0
<b>8Q</b>	folkstone grey (CP)	+\$0
<b>91</b>	white (CP)	+\$0
<b>98</b>	studio white (CP)	+\$0
<b>LBA</b>	clear on ash (CP)	+\$0
<b>LBB</b>	oak on ash (CP)	+\$0
<b>LBC</b>	walnut on ash (CP)	+\$0
<b>LBF</b>	neutral twill	+\$0
<b>LBQ</b>	white twill	+\$0
<b>LBU</b>	medium matte walnut (CP)	+\$0

# OE1 Sit-to-Stand Table, Rectangular Round Corner *continued*

## For thermally fused laminate top/multi ply edge (Y)

<b>8Q</b>	folkstone grey (CP)	+\$0
<b>91</b>	white (CP)	+\$0
<b>98</b>	studio white (CP)	+\$0

## Step 8. Top/Edge Finish

### For veneer top/veneer edge (W)

<b>OU</b>	walnut <span style="border: 1px solid black; padding: 0 2px;">A</span>	+\$85
<b>WHN</b>	natural white oak <span style="border: 1px solid black; padding: 0 2px;">A</span>	+\$85

## Step 9. Edge Finish

### For thermally fused laminate top/thermoplastic edge (M)

<b>125</b>	natural maple (CP)	+\$0
<b>126</b>	natural cherry (CP)	+\$0
<b>127</b>	walnut (CP)	+\$0
<b>139</b>	light ash (CP)	+\$0
<b>140</b>	warm ash (CP)	+\$0
<b>8Q</b>	folkstone grey (CP)	+\$0
<b>91</b>	white (CP)	+\$0
<b>98</b>	studio white (CP)	+\$0
<b>LBA</b>	clear on ash (CP)	+\$0
<b>LBB</b>	oak on ash (CP)	+\$0
<b>LBC</b>	walnut on ash (CP)	+\$0
<b>LBF</b>	neutral twill	+\$0
<b>LBQ</b>	white twill	+\$0
<b>LBU</b>	medium matte walnut (CP)	+\$0

### For thermally fused laminate top/multi ply edge (Y)

<b>PDG</b>	multi ply edge	+\$75
------------	----------------	-------

## Step 10. Surround Finish

### For metal surface surround (SS)

<b>8Q</b>	folkstone grey (CP)	+\$0
<b>98</b>	studio white (CP)	+\$0
<b>BK</b>	black	+\$0
<b>CC1</b>	cocoa	+\$0
<b>DB3</b>	glacier	+\$0
<b>DN2</b>	nightfall	+\$0
<b>OLF</b>	olive	+\$0
<b>UBK</b>	ultra black (CP)	+\$0

## Step 11. Leg/Foot Finish

### Sand Texture Paint

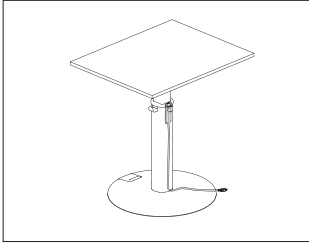
<b>8Q</b>	folkstone grey (CP)	+\$0
<b>98</b>	studio white (CP)	+\$0
<b>BK</b>	black	+\$0
<b>CC1</b>	cocoa	+\$175
<b>DB3</b>	glacier	+\$175
<b>DN2</b>	nightfall	+\$175
<b>OLF</b>	olive	+\$175
<b>UBK</b>	ultra black (CP)	+\$0

## Step 12. Glides

<b>G</b>	glides	+\$0
----------	--------	------

OE1 Height Adjustable Micro Packs

OE1 Sit-to-Stand Table USB C Power Module HZ285.

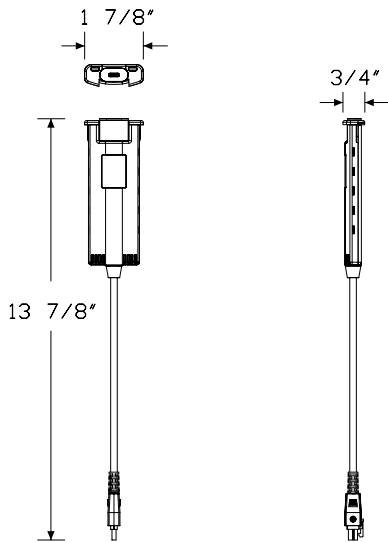


**Product Information**

Description

This power module provides 1 30W USB C port that mounts inside the lower column trim ring and plugs into the table control box. This configuration provides full table functionality with a single external power cord plugged into an outlet.

Dimensions



**Specification Information**

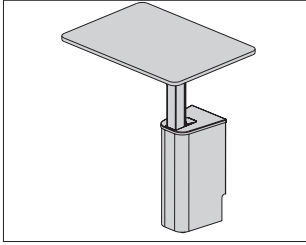
Step 1.

**HZ285.**

\$403

OE1 Height Adjustable Micro Packs





**Product Information**

**Description**

This unit is a height-adjustable surface mounted to an architectural wall. It comes with a cable management sleeve and 1 bag hook. Optional screen can be ordered separately. Available with several power options or without power.

**Notes**

Single Micro Pack is always wall mounted. Wall mounting hardware not included.

Electric height adjustment range is 27"-42".

Actual depth is 23.5". Actual width is 32.5".

Cable management sleeve mounts to the back of leg.

Included bag hook mounts in front of leg on the base.

Order optional screen and screen liner separately:

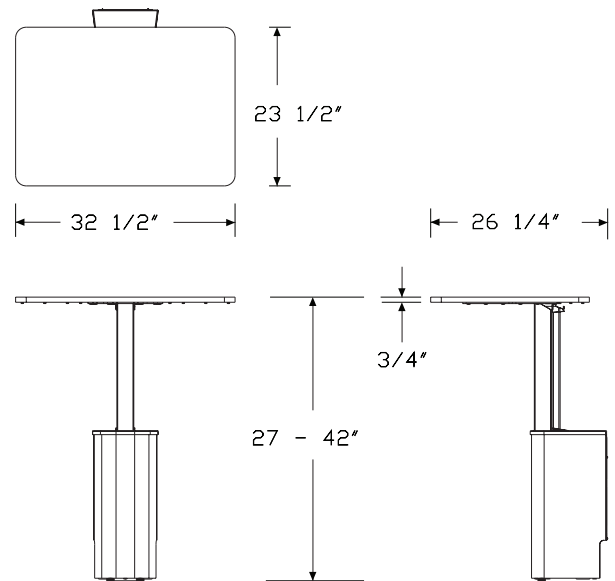
- OE1 micro pack privacy screen, single/4-pack (HZ330.)
- OE1 micro pack screen liner (HZ350.)

When power is specified, the Logic Mini unit is included with the product. It does not need to be ordered separately.

When power is specified, an AC splitter is included. It allows the Logic Mini and the Micro Pack to plug into it, and a single cord exits the Micro Pack base to plug into a wall outlet.

The single Micro Pack unit cannot be mounted directly over a floor core/outlet.

**Dimensions**



OE1 Height Adjustable Micro Packs

OE1 Micro Pack, Single *continued*

OE1 Height Adjustable Micro Packs

**Specification Information**

Step 1.

**HZ300**

Step 2. Edge

**S.** squared-edge

Step 3. Depth

**23** 23" deep

Step 4. Width

**32** 32" wide

Step 5. Surface Material

**L** high-pressure laminate top/thermoplastic edge

**W** veneer top/veneer edge **A**

**A** high-pressure laminate top/thermoplastic edge with MicrobeCare™ **A**

**B** veneer top/veneer edge with MicrobeCare™ **A**

Step 6. Top Thickness

**04** 3/4" thick

Step 7. Mechanism

**E** electric

Step 8. User Power Type

**N** no power

**G** grommet mount

**S** surface clamp

**B** below surface attachment

**M** grommet mount/below surface mount

**C** surface clamp/below surface mount

Prices for Steps 1-8.

	L04EN	L04EG	L04ES	L04EB	L04EM	L04EC
<b>HZ300S. 23 32</b>	\$3318	3876	3759	3759	4466	4350

	W04EN	W04EG	W04ES	W04EB	W04EM	W04EC
<b>HZ300S. 23 32</b>	\$4310	4870	4752	4752	5459	5344

	A04EN	A04EG	A04ES	A04EB	A04EM	A04EC
<b>HZ300S. 23 32</b>	\$3408	3966	3850	3850	4556	4440

	B04EN	B04EG	B04ES	B04EB	B04EM	B04EC
<b>HZ300S. 23 32</b>	\$4402	4958	4843	4843	5550	5434

Step 9. Switch Option

**SKS** rounded simple switch +\$0

Step 10. Grommet Power Access Cutout

*For grommet mount (G) or grommet mount/below surface mount (M)*

**LC** left cutout for grommet mount Logic Mini for Micro Packs +\$0

Step 11. Power Configuration

*For grommet mount (G), surface clamp (S), or below surface attachment (B)*

**J** 1 simplex receptacle, 1 powered USB-A/USB-C combo +\$215

**K** 2 simplex receptacles +\$0

*For grommet mount/below surface mount (M) or surface clamp/below surface mount (C)*

**L** 1 simplex receptacle, 1 powered USB-A/USB-C combo on top/ 2 simplex receptacles on bottom +\$0

Step 12. Power Attachment Finish

*For grommet mount (G), surface clamp (S), below surface attachment (B), grommet mount/below surface mount (M), or surface clamp/below surface mount (C)*

**91** white (CP) +\$0

**98** studio white (CP) +\$0

**BK** black +\$0

**G1** graphite (CP) +\$0

**UBK** ultra black (CP) +\$0

Step 13.

Top Finish

*For high-pressure laminate top/thermoplastic edge (L) or high-pressure laminate top/thermoplastic edge with MicrobeCare™ (A)*

<b>125</b>	natural maple (CP)	+\$0
<b>126</b>	natural cherry (CP)	+\$0
<b>127</b>	walnut (CP)	+\$0
<b>139</b>	light ash (CP)	+\$0
<b>140</b>	warm ash (CP)	+\$0
<b>76</b>	light brown walnut	+\$0
<b>8Q</b>	folkstone grey (CP)	+\$0
<b>91</b>	white (CP)	+\$0
<b>98</b>	studio white (CP)	+\$0
<b>CL</b>	cool grey neutral	+\$0
<b>G1</b>	graphite (CP)	+\$0
<b>HP</b>	light anigre	+\$0
<b>LBA</b>	clear on ash (CP)	+\$0
<b>LBB</b>	oak on ash (CP)	+\$0
<b>LBC</b>	walnut on ash (CP)	+\$0
<b>LBF</b>	neutral twill	+\$0
<b>LBJ</b>	graphite twill	+\$0
<b>LBQ</b>	white twill	+\$0
<b>LBR</b>	phantom ecru	+\$0
<b>LBS</b>	phantom cocoa	+\$0
<b>LBU</b>	medium matte walnut (CP)	+\$0
<b>LBV</b>	warm grey teak	+\$0
<b>LU</b>	soft white	+\$0
<b>WL</b>	warm stone (CP)	+\$0
<b>WN</b>	warm grey neutral	+\$0

Top/Edge Finish

*For veneer top/veneer edge (W) or veneer top/veneer edge with MicrobeCare™ (B)*

<b>2U</b>	light brown walnut <span style="border: 1px solid black; padding: 0 2px;">A</span>	+\$85
<b>40</b>	dark brown walnut <span style="border: 1px solid black; padding: 0 2px;">A</span>	+\$85
<b>CHD</b>	noble cherry	+\$85
<b>ET</b>	clear on ash <span style="border: 1px solid black; padding: 0 2px;">A</span>	+\$85
<b>EU</b>	oak on ash <span style="border: 1px solid black; padding: 0 2px;">A</span>	+\$85
<b>EV</b>	walnut on ash <span style="border: 1px solid black; padding: 0 2px;">A</span>	+\$85
<b>EW</b>	medium matte walnut <span style="border: 1px solid black; padding: 0 2px;">A</span>	+\$85
<b>OK</b>	white oak (nonstandard) <span style="border: 1px solid black; padding: 0 2px;">A</span>	+\$85
<b>UL</b>	natural maple <span style="border: 1px solid black; padding: 0 2px;">A</span>	+\$85
<b>WHN</b>	natural white oak	+\$85

Step 14. Edge Finish

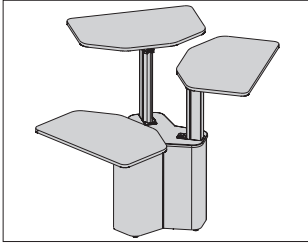
*For high-pressure laminate top/thermoplastic edge (L) or high-pressure laminate top/thermoplastic edge with MicrobeCare™ (A)*

<b>125</b>	natural maple (CP)	+\$0
<b>126</b>	natural cherry (CP)	+\$0
<b>127</b>	walnut (CP)	+\$0
<b>139</b>	light ash (CP)	+\$0
<b>140</b>	warm ash (CP)	+\$0
<b>76</b>	light brown walnut	+\$0
<b>8Q</b>	folkstone grey (CP)	+\$0
<b>91</b>	white (CP)	+\$0
<b>98</b>	studio white (CP)	+\$0
<b>CL</b>	cool grey neutral	+\$0
<b>G1</b>	graphite (CP)	+\$0
<b>HF</b>	inner tone light	+\$0
<b>HP</b>	light anigre	+\$0
<b>LBA</b>	clear on ash (CP)	+\$0
<b>LBB</b>	oak on ash (CP)	+\$0
<b>LBC</b>	walnut on ash (CP)	+\$0
<b>LBF</b>	neutral twill	+\$0
<b>LBJ</b>	graphite twill	+\$0
<b>LBQ</b>	white twill	+\$0
<b>LBR</b>	phantom ecru	+\$0
<b>LBS</b>	phantom cocoa	+\$0
<b>LBU</b>	medium matte walnut (CP)	+\$0
<b>LBV</b>	warm grey teak	+\$0
<b>LU</b>	soft white	+\$0
<b>WL</b>	warm stone (CP)	+\$0
<b>WN</b>	warm grey neutral	+\$0

Step 15. Base Finish

Sand Texture Paint

<b>8Q</b>	folkstone grey (CP)	+\$0
<b>91</b>	white (CP)	+\$0
<b>98</b>	studio white (CP)	+\$0
<b>BK</b>	black	+\$0
<b>DB3</b>	glacier	+\$175
<b>DN2</b>	nightfall	+\$175
<b>DR1</b>	canyon	+\$175
<b>OLF</b>	olive	+\$175
<b>UBK</b>	ultra black (CP)	+\$0



OE1 Height Adjustable Micro Packs

**Product Information**

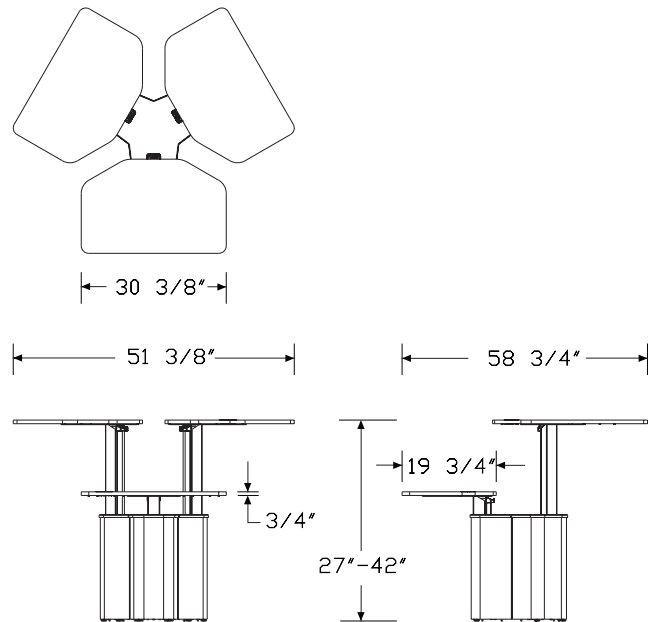
**Description**

This freestanding unit is a pack of 3 height-adjustable surfaces. It comes with a cable management sleeve and 3 bag hooks. Optional screens can be ordered separately. Available with several power options or without power.

**Notes**

- Electric height adjustment range is 27"-42" above the floor.
- Actual depth is 19.68". Actual width is 30.3".
- Cable management sleeve mounts to the back of leg.
- Included bag hooks can be mounted in front of each leg on the base.
- Order optional screen and screen liner separately:
  - OE1 micro pack privacy screen, 3-pack (HZ340.)
  - OE1 micro pack screen liner (HZ350.)
- When power is specified, the Logic Mini unit is included with the product. It does not need to be ordered separately.
- When power is specified, an AC splitter is included. It allows the Logic Mini and the Micro Pack to plug into it, and a single cord exits the Micro Pack base to plug into a floor core, wall outlet, or Logic Reach unit.
- The Micro Pack, 3-pack unit cannot be mounted directly over a floor core/outlet.

**Dimensions**



**Specification Information**

Step 1.

**HZ310**

Step 2. Edge

**S.** squared-edge

Step 3. Depth

**20** 20" deep

Step 4. Width

**31** 31" wide

Step 5. Surface Material

- L** high-pressure laminate top/thermoplastic edge
- W** veneer top/veneer edge A
- A** high-pressure laminate top/thermoplastic edge with MicrobeCare™ A
- B** veneer top/veneer edge with MicrobeCare™ A

Step 6. Top Thickness

**04** 3/4" thick

Step 7. Mechanism

**E** electric

Step 8. User Power Type

- N** no power
- G** grommet mount
- S** surface clamp
- B** below surface attachment
- M** grommet mount/below surface mount
- C** surface clamp/below surface mount

Prices for Steps 1-8.

	<b>L04EN</b>	<b>L04EG</b>	<b>L04ES</b>	<b>L04EB</b>	<b>L04EM</b>	<b>L04EC</b>
<b>HZ310S. 20 31</b>	\$8890	10563	10210	10210	12341	11989
	<b>W04EN</b>	<b>W04EG</b>	<b>W04ES</b>	<b>W04EB</b>	<b>W04EM</b>	<b>W04EC</b>
<b>HZ310S. 20 31</b>	\$11557	13228	12877	12877	15008	14655
	<b>A04EN</b>	<b>A04EG</b>	<b>A04ES</b>	<b>A04EB</b>	<b>A04EM</b>	<b>A04EC</b>
<b>HZ310S. 20 31</b>	\$9162	10835	10481	10481	12614	12260
	<b>B04EN</b>	<b>B04EG</b>	<b>B04ES</b>	<b>B04EB</b>	<b>B04EM</b>	<b>B04EC</b>
<b>HZ310S. 20 31</b>	\$11828	13500	13146	13146	15278	14923

Step 9. Switch Option

**SKS** rounded simple switch +\$0

Step 10. Grommet Power Access Cutout

*For grommet mount (G) or grommet mount/below surface mount (M)*

**LC** left cutout for grommet mount Logic Mini for Micro Packs +\$0

Step 11. Power Configuration

*For grommet mount (G), surface clamp (S), or below surface attachment (B)*

- J** 1 simplex receptacle, 1 powered USB-A/USB-C combo +\$645
- K** 2 simplex receptacles +\$0

*For grommet mount/below surface mount (M) or surface clamp/below surface mount (C)*

**L** 1 simplex receptacle, 1 powered USB-A/USB-C combo on top/ 2 simplex receptacles on bottom +\$0

Step 12. Power Attachment Finish

*For grommet mount (G), surface clamp (S), below surface attachment (B), grommet mount/below surface mount (M), or surface clamp/below surface mount (C)*

- 91** white (CP) +\$0
- 98** studio white (CP) +\$0
- BK** black +\$0
- G1** graphite (CP) +\$0
- UBK** ultra black (CP) +\$0

Step 13.

Top Finish

*For high-pressure laminate top/thermoplastic edge (L) or high-pressure laminate top/thermoplastic edge with MicrobeCare™ (A)*

<b>125</b>	natural maple (CP)	+\$0
<b>126</b>	natural cherry (CP)	+\$0
<b>127</b>	walnut (CP)	+\$0
<b>139</b>	light ash (CP)	+\$0
<b>140</b>	warm ash (CP)	+\$0
<b>76</b>	light brown walnut	+\$0
<b>8Q</b>	folkstone grey (CP)	+\$0
<b>91</b>	white (CP)	+\$0
<b>98</b>	studio white (CP)	+\$0
<b>CL</b>	cool grey neutral	+\$0
<b>G1</b>	graphite (CP)	+\$0
<b>HP</b>	light anigre	+\$0
<b>LBA</b>	clear on ash (CP)	+\$0
<b>LBB</b>	oak on ash (CP)	+\$0
<b>LBC</b>	walnut on ash (CP)	+\$0
<b>LBF</b>	neutral twill	+\$0
<b>LBJ</b>	graphite twill	+\$0
<b>LBQ</b>	white twill	+\$0
<b>LBR</b>	phantom ecru	+\$0
<b>LBS</b>	phantom cocoa	+\$0
<b>LBU</b>	medium matte walnut (CP)	+\$0
<b>LBV</b>	warm grey teak	+\$0
<b>LU</b>	soft white	+\$0
<b>WL</b>	warm stone (CP)	+\$0
<b>WN</b>	warm grey neutral	+\$0

Top/Edge Finish

*For veneer top/veneer edge (W) or veneer top/veneer edge with MicrobeCare™ (B)*

<b>2U</b>	light brown walnut <span style="border: 1px solid black; padding: 0 2px;">A</span>	+\$85
<b>40</b>	dark brown walnut <span style="border: 1px solid black; padding: 0 2px;">A</span>	+\$85
<b>CHD</b>	noble cherry	+\$85
<b>ET</b>	clear on ash <span style="border: 1px solid black; padding: 0 2px;">A</span>	+\$85
<b>EU</b>	oak on ash <span style="border: 1px solid black; padding: 0 2px;">A</span>	+\$85
<b>EV</b>	walnut on ash <span style="border: 1px solid black; padding: 0 2px;">A</span>	+\$85
<b>EW</b>	medium matte walnut <span style="border: 1px solid black; padding: 0 2px;">A</span>	+\$85
<b>OK</b>	white oak (nonstandard) <span style="border: 1px solid black; padding: 0 2px;">A</span>	+\$85
<b>UL</b>	natural maple <span style="border: 1px solid black; padding: 0 2px;">A</span>	+\$85
<b>WHN</b>	natural white oak	+\$85

Step 14. Edge Finish

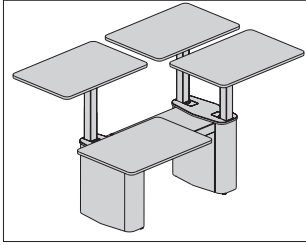
*For high-pressure laminate top/thermoplastic edge (L) or high-pressure laminate top/thermoplastic edge with MicrobeCare™ (A)*

<b>125</b>	natural maple (CP)	+\$0
<b>126</b>	natural cherry (CP)	+\$0
<b>127</b>	walnut (CP)	+\$0
<b>139</b>	light ash (CP)	+\$0
<b>140</b>	warm ash (CP)	+\$0
<b>76</b>	light brown walnut	+\$0
<b>8Q</b>	folkstone grey (CP)	+\$0
<b>91</b>	white (CP)	+\$0
<b>98</b>	studio white (CP)	+\$0
<b>CL</b>	cool grey neutral	+\$0
<b>G1</b>	graphite (CP)	+\$0
<b>HF</b>	inner tone light	+\$0
<b>HP</b>	light anigre	+\$0
<b>LBA</b>	clear on ash (CP)	+\$0
<b>LBB</b>	oak on ash (CP)	+\$0
<b>LBC</b>	walnut on ash (CP)	+\$0
<b>LBF</b>	neutral twill	+\$0
<b>LBJ</b>	graphite twill	+\$0
<b>LBQ</b>	white twill	+\$0
<b>LBR</b>	phantom ecru	+\$0
<b>LBS</b>	phantom cocoa	+\$0
<b>LBU</b>	medium matte walnut (CP)	+\$0
<b>LBV</b>	warm grey teak	+\$0
<b>LU</b>	soft white	+\$0
<b>WL</b>	warm stone (CP)	+\$0
<b>WN</b>	warm grey neutral	+\$0

Step 15. Base Finish

Sand Texture Paint

<b>8Q</b>	folkstone grey (CP)	+\$0
<b>91</b>	white (CP)	+\$0
<b>98</b>	studio white (CP)	+\$0
<b>BK</b>	black	+\$0
<b>DB3</b>	glacier	+\$420
<b>DN2</b>	nightfall	+\$420
<b>DR1</b>	canyon	+\$420
<b>OLF</b>	olive	+\$420
<b>UBK</b>	ultra black (CP)	+\$0



**Product Information**

**Description**

This freestanding unit is a pack of 4 height-adjustable surfaces. It comes with a cable management sleeve and 4 bag hooks. Optional screens can be ordered separately. Available with several power options or without power.

**Notes**

Electric height adjustment range is 27"-42" above the floor.

Actual depth is 22.5". Actual width is 32.5".

Overall width of 4-pack is 70". Width aligns with 70"-wide center screen.

Cable management sleeve mounts to the back of leg.

Included bag hooks can be mounted in front of each leg on the base or on the side of the left and right bases.

Order optional screens and screen liner separately:

- OE1 micro pack privacy screen, single/4-pack (HZ330.)
- OE1 micro pack screen liner (HZ350.)
- OE1 micro pack center screen, 4-pack, flat edge (HZ360.)
- OE1 micro pack center screen, 4-pack, Pari (HZ370.)
- OE1 micro pack center screen, 4-pack, laminate (HZ380.)

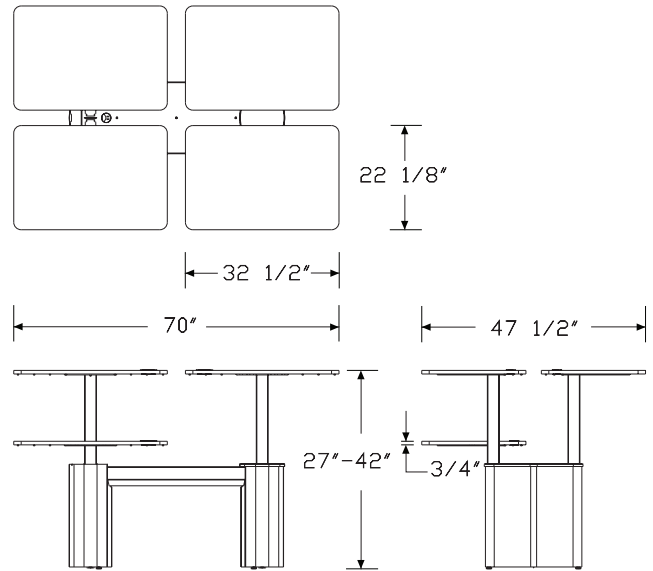
When power is specified, the Logic Mini unit is included with the product. It does not need to be ordered separately.

When power is specified, an AC splitter is included. It allows the Logic Mini and the Micro Pack to plug into it, and a single cord exits the Micro Pack base to plug into a floor core, wall outlet, or Logic Reach unit.

The Micro Pack, 4-pack unit cannot be mounted directly over a floor core/outlet.

When specifying grommet power access cutout (LR) option, 2 of the 4 surfaces will have a left-hand cutout and the other 2 surfaces will have a right-hand cutout. At time of installation, the choice can be made to have cutouts inbound or outbound.

**Dimensions**



OE1 Height Adjustable Micro Packs

**Specification Information**

Step 1.

**HZ320**

Step 2. Edge

**S.** squared-edge

Step 3. Depth

**23** 23" deep

Step 4. Width

**33** 33" wide

Step 5. Surface Material

**L** high-pressure laminate top/thermoplastic edge

**W** veneer top/veneer edge **A**

**A** high-pressure laminate top/thermoplastic edge with MicrobeCare™ **A**

**B** veneer top/veneer edge with MicrobeCare™ **A**

Step 6. Top Thickness

**04** 3/4" thick

Step 7. Mechanism

**E** electric

Step 8. User Power Type

**N** no power

**G** grommet mount

**S** surface clamp

**B** below surface attachment

**M** grommet mount/below surface mount

**C** surface clamp/below surface mount

Prices for Steps 1-8.

	L04EN	L04EG	L04ES	L04EB	L04EM	L04EC
<b>HZ320S. 23 33</b>	\$12629	13907	13438	13438	18089	17620

	W04EN	W04EG	W04ES	W04EB	W04EM	W04EC
<b>HZ320S. 23 33</b>	\$16604	17883	17414	17414	22064	21595

	A04EN	A04EG	A04ES	A04EB	A04EM	A04EC
<b>HZ320S. 23 33</b>	\$12990	14269	13799	13799	18450	17981

	B04EN	B04EG	B04ES	B04EB	B04EM	B04EC
<b>HZ320S. 23 33</b>	\$16966	18244	17775	17775	22427	21957

Step 9. Switch Option

**SKS** rounded simple switch +\$0

Step 10. Grommet Power Access Cutout

*For grommet mount (G) or grommet mount/below surface mount (M)*

**LR** left and right cutout for logic mini for micro packs +\$0

Step 11. Power Configuration

*For grommet mount (G), surface clamp (S), or below surface attachment (B)*

**J** 1 simplex receptacle, 1 powered USB-A/USB-C combo +\$860

**K** 2 simplex receptacles +\$0

*For grommet mount/below surface mount (M) or surface clamp/below surface mount (C)*

**L** 1 simplex receptacle, 1 powered USB-A/USB-C combo on top/ 2 simplex receptacles on bottom +\$0

Step 12. Power Attachment Finish

*For grommet mount (G), surface clamp (S), below surface attachment (B), grommet mount/below surface mount (M), or surface clamp/below surface mount (C)*

**91** white (CP) +\$0

**98** studio white (CP) +\$0

**BK** black +\$0

**G1** graphite (CP) +\$0

**UBK** ultra black (CP) +\$0



Step 13.

Top Finish

*For high-pressure laminate top/thermoplastic edge (L) or high-pressure laminate top/thermoplastic edge with MicrobeCare™ (A)*

<b>125</b>	natural maple (CP)	+\$0
<b>126</b>	natural cherry (CP)	+\$0
<b>127</b>	walnut (CP)	+\$0
<b>139</b>	light ash (CP)	+\$0
<b>140</b>	warm ash (CP)	+\$0
<b>76</b>	light brown walnut	+\$0
<b>8Q</b>	folkstone grey (CP)	+\$0
<b>91</b>	white (CP)	+\$0
<b>98</b>	studio white (CP)	+\$0
<b>CL</b>	cool grey neutral	+\$0
<b>G1</b>	graphite (CP)	+\$0
<b>HP</b>	light anigre	+\$0
<b>LBA</b>	clear on ash (CP)	+\$0
<b>LBB</b>	oak on ash (CP)	+\$0
<b>LBC</b>	walnut on ash (CP)	+\$0
<b>LBF</b>	neutral twill	+\$0
<b>LBJ</b>	graphite twill	+\$0
<b>LBQ</b>	white twill	+\$0
<b>LBR</b>	phantom ecru	+\$0
<b>LBS</b>	phantom cocoa	+\$0
<b>LBU</b>	medium matte walnut (CP)	+\$0
<b>LBV</b>	warm grey teak	+\$0
<b>LU</b>	soft white	+\$0
<b>WL</b>	warm stone (CP)	+\$0
<b>WN</b>	warm grey neutral	+\$0

Top/Edge Finish

*For veneer top/veneer edge (W) or veneer top/veneer edge with MicrobeCare™ (B)*

<b>2U</b>	light brown walnut <span style="border: 1px solid black; padding: 0 2px;">A</span>	+\$85
<b>40</b>	dark brown walnut <span style="border: 1px solid black; padding: 0 2px;">A</span>	+\$85
<b>CHD</b>	noble cherry	+\$85
<b>ET</b>	clear on ash <span style="border: 1px solid black; padding: 0 2px;">A</span>	+\$85
<b>EU</b>	oak on ash <span style="border: 1px solid black; padding: 0 2px;">A</span>	+\$85
<b>EV</b>	walnut on ash <span style="border: 1px solid black; padding: 0 2px;">A</span>	+\$85
<b>EW</b>	medium matte walnut <span style="border: 1px solid black; padding: 0 2px;">A</span>	+\$85
<b>OK</b>	white oak (nonstandard) <span style="border: 1px solid black; padding: 0 2px;">A</span>	+\$85
<b>UL</b>	natural maple <span style="border: 1px solid black; padding: 0 2px;">A</span>	+\$85
<b>WHN</b>	natural white oak	+\$85

Step 14. Edge Finish

*For high-pressure laminate top/thermoplastic edge (L) or high-pressure laminate top/thermoplastic edge with MicrobeCare™ (A)*

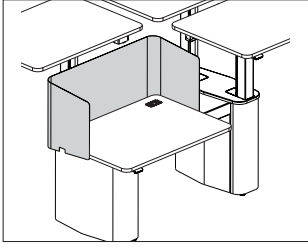
<b>125</b>	natural maple (CP)	+\$0
<b>126</b>	natural cherry (CP)	+\$0
<b>127</b>	walnut (CP)	+\$0
<b>139</b>	light ash (CP)	+\$0
<b>140</b>	warm ash (CP)	+\$0
<b>76</b>	light brown walnut	+\$0
<b>8Q</b>	folkstone grey (CP)	+\$0
<b>91</b>	white (CP)	+\$0
<b>98</b>	studio white (CP)	+\$0
<b>CL</b>	cool grey neutral	+\$0
<b>G1</b>	graphite (CP)	+\$0
<b>HF</b>	inner tone light	+\$0
<b>HP</b>	light anigre	+\$0
<b>LBA</b>	clear on ash (CP)	+\$0
<b>LBB</b>	oak on ash (CP)	+\$0
<b>LBC</b>	walnut on ash (CP)	+\$0
<b>LBF</b>	neutral twill	+\$0
<b>LBJ</b>	graphite twill	+\$0
<b>LBQ</b>	white twill	+\$0
<b>LBR</b>	phantom ecru	+\$0
<b>LBS</b>	phantom cocoa	+\$0
<b>LBU</b>	medium matte walnut (CP)	+\$0
<b>LBV</b>	warm grey teak	+\$0
<b>LU</b>	soft white	+\$0
<b>WL</b>	warm stone (CP)	+\$0
<b>WN</b>	warm grey neutral	+\$0

Step 15. Base Finish

Sand Texture Paint

<b>8Q</b>	folkstone grey (CP)	+\$0
<b>91</b>	white (CP)	+\$0
<b>98</b>	studio white (CP)	+\$0
<b>BK</b>	black	+\$0
<b>DB3</b>	glacier	+\$590
<b>DN2</b>	nightfall	+\$590
<b>DR1</b>	canyon	+\$590
<b>OLF</b>	olive	+\$590
<b>UBK</b>	ultra black (CP)	+\$0

# OE1 Micro Pack Privacy Screen, HZ330. Single/4-Pack



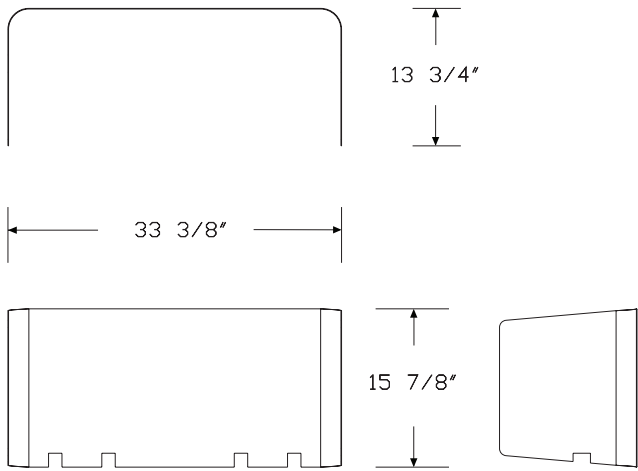
OE1 Height Adjustable Micro Packs

### Product Information

**Description**  
This metal screen attaches to the surface of the OE1 Workspace Collection™ Micro Pack, 4-Pack and Micro Pack, Single. Attachment hardware included. Package contains 1 screen.

**Notes**  
Screen is used on the surface of the OE1 single Micro Pack (HZ300) and 4-pack (HZ320). It attaches directly to the surface.  
Order felt screen liner (HZ350.) separately.

### Dimensions



### Specification Information

#### Step 1.

**HZ330.**

#### Step 2. Height

**14** 14" high (from top of surface to top of screen)

#### Step 3. Width

**33** 33" wide

#### Prices for Steps 1-3.

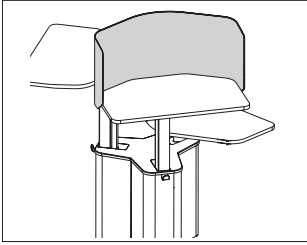
	<b>33</b>
<b>HZ330. 14</b>	<b>\$708</b>

#### Step 4. Screen Finish

#### Sand Texture Paint

<b>8Q</b>	folkstone grey (CP)	+\$0
<b>91</b>	white (CP)	+\$0
<b>98</b>	studio white (CP)	+\$0
<b>BK</b>	black	+\$0
<b>DB3</b>	glacier	+\$10
<b>DN2</b>	nightfall	+\$10
<b>DR1</b>	canyon	+\$10
<b>OLF</b>	olive	+\$10
<b>UBK</b>	ultra black (CP)	+\$0

OE1 Micro Pack Privacy Screen, HZ340.  
3-Pack



**Product Information**

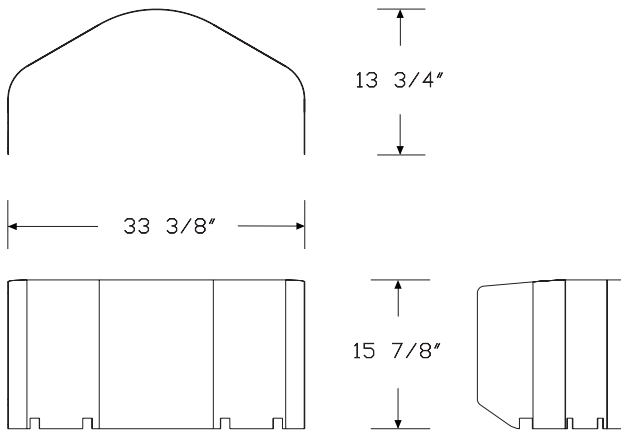
**Description**

This metal screen attaches to the surface of the OE1 Workspace Collection™ Micro Pack, 3-Pack. Attachment hardware included. Package contains 1 screen.

**Notes**

Screen is used on the surface of the OE1 Micro Pack, 3-pack (HZ310). It attaches directly to the surface.  
Order felt screen liner (HZ350.) separately.

**Dimensions**



**Specification Information**

**Step 1.**

**HZ340.**

**Step 2. Height**

**14** 14" high (from top of surface to top of screen)

**Step 3. Width**

**32** 32" wide

**Prices for Steps 1-3.**

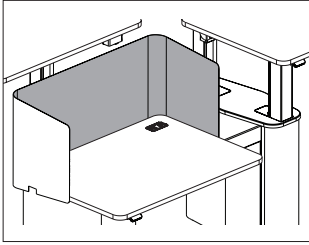
	<b>32</b>
<b>HZ340. 14</b>	<b>\$672</b>

**Step 4. Screen Finish**

**Sand Texture Paint**

<b>8Q</b>	folkstone grey (CP)	+\$0
<b>91</b>	white (CP)	+\$0
<b>98</b>	studio white (CP)	+\$0
<b>BK</b>	black	+\$0
<b>DB3</b>	glacier	+\$10
<b>DN2</b>	nightfall	+\$10
<b>DR1</b>	canyon	+\$10
<b>OLF</b>	olive	+\$10
<b>UBK</b>	ultra black (CP)	+\$0

OE1 Height Adjustable Micro Packs



OE1 Height Adjustable Micro Packs

**Product Information**

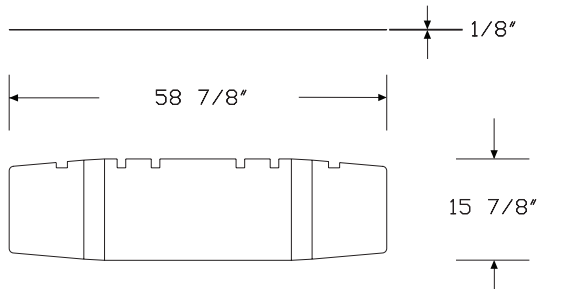
**Description**

This felt liner attaches magnetically to the metal surface-mounted OE1 Workspace Collection™ Micro Pack screen. It provides softness and a touch of color. Package contains 1 liner.

**Notes**

- Order the following Micro Pack screens separately:
- OE1 micro pack privacy screen, single/4-pack (HZ330.)
  - OE1 micro pack privacy screen, 3-pack (HZ340.)

**Dimensions**



**Specification Information**

**Step 1.**

**HZ350.**

**Step 2. Liner Type**

- 1** liner for single micro pack or 4-pack micro pack
- 2** liner for 3-pack micro pack

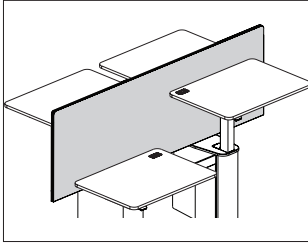
**Prices for Steps 1-2.**

<b>HZ350. 1</b>	\$470
<b>2</b>	\$470

**Step 3. Screen Liner Fabric**

Price Category 4 +\$0

OE1 Micro Pack Center Screen, HZ360.  
4-Pack, Flat Edge



**Product Information**

**Description**

This screen provides privacy between surfaces of the OE1 Workspace Collection™ Micro Pack, 4-Pack. Installed height of the screen is 46" or 53". Attachment hardware included.

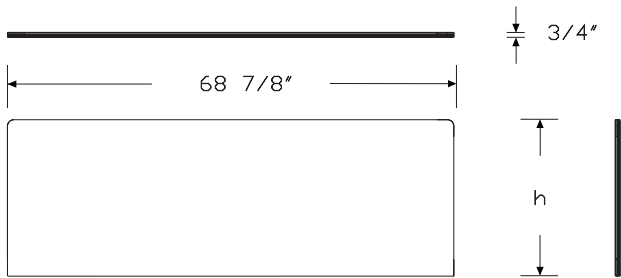
**Notes**

Screen accepts Customer's Own Material (COM). Yardage is estimated.

**Height—Yards**

23 (to reach 46" high datum)—2.46  
30 (to reach 53" high datum)—4.91

**Dimensions**



**Specification Information**

**Step 1.**

**HZ360.**

**Step 2. Height**

**23** 23" high (to reach the 46" high datum)  
**30** 30" high (to reach 53" datum)

**Step 3. Width**

**70** 70" wide

**Step 4. Surface Material**

**D** tackable fabric, horizontal with MicrobeCare™  
**R** tackable fabric, horizontal

**Prices for Steps 1-4.**

	<b>D</b>	<b>R</b>
<b>HZ360. 23 70</b>	\$1363	1277
<b>30 70</b>	\$1627	1541

**Step 5. Fabric**

*For 23" high (to reach the 46" high datum) (23)*

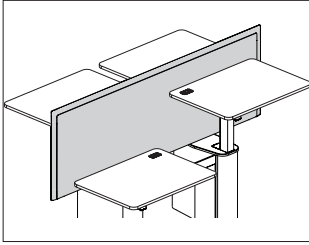
Price Category 1	+\$0
Price Category 2	+\$23
Price Category 3	+\$55
Price Category 4	+\$97
Price Category C	+\$236
Price Category E	+\$356
Price Category 5	+\$166
Price Category B	+\$0

*For 30" high (to reach 53" datum) (30)*

Price Category B	+\$0
Price Category 1	+\$0
Price Category 2	+\$46
Price Category 3	+\$109
Price Category 4	+\$196
Price Category 5	+\$331
Price Category C	+\$472
Price Category E	+\$713

OE1 Height Adjustable Micro Packs

OE1 Micro Pack Center Screen, HZ370.  
4-Pack, Pari



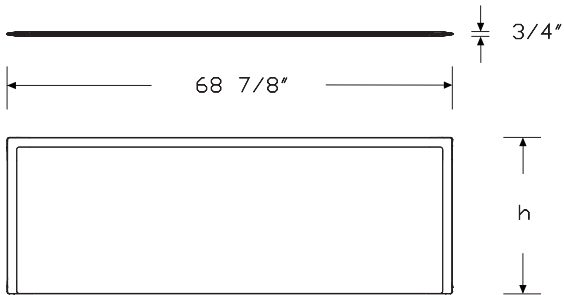
OE1 Height Adjustable Micro Packs

**Product Information**

**Description**  
This screen provides privacy between surfaces of the OE1 Workspace Collection™ Micro Pack, 4-Pack. Installed height of the screen is 46" or 53". Attachment hardware included.

**Notes**  
Screen accepts Customer's Own Material (COM). Yardage is estimated.  
**Height—Yards**  
23 (to reach 46" high datum)—2.46  
30 (to reach 53" high datum)—4.91

**Dimensions**



**Specification Information**

**Step 1.**

**HZ370.**

**Step 2. Height**

- 23** 23" high (to reach the 46" high datum)
- 30** 30" high (to reach 53" datum)

**Step 3. Width**

- 70** 70" wide

**Step 4. Surface Material**

- D** tackable fabric, horizontal with MicrobeCare™
- R** tackable fabric, horizontal

**Prices for Steps 1-4.**

	D	R
<b>HZ370. 23 70</b>	\$1554	1470
<b>30 70</b>	\$1863	1776

**Step 5. Fabric**

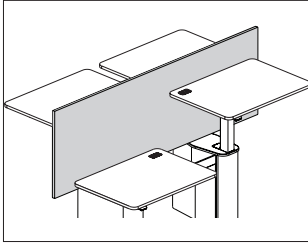
*For 23" high (to reach the 46" high datum) (23)*

Price Category B	+\$0
Price Category 1	+\$0
Price Category 2	+\$23
Price Category 3	+\$55
Price Category 4	+\$97
Price Category 5	+\$166
Price Category C	+\$236
Price Category E	+\$356

*For 30" high (to reach 53" datum) (30)*

Price Category B	+\$0
Price Category 1	+\$0
Price Category 2	+\$46
Price Category 3	+\$109
Price Category 4	+\$196
Price Category 5	+\$331
Price Category C	+\$472
Price Category E	+\$713

OE1 Micro Pack Center Screen, HZ380.  
4-Pack, Laminate

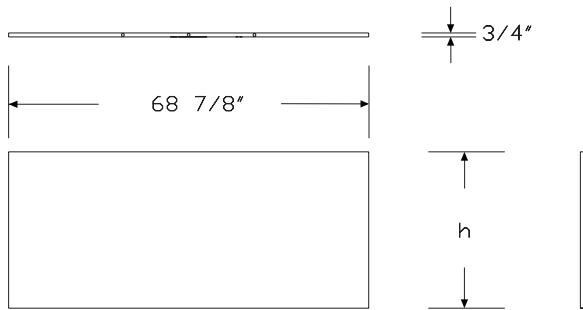


**Product Information**

**Description**

This screen provides privacy between surfaces of the OE1 Workspace Collection™ Micro Pack, 4-Pack. Installed height of the screen is 46" or 53". Attachment hardware included.

**Dimensions**



**Specification Information**

**Step 1.**

**HZ380.**

**Step 2. Height**

- 23** 23" high (to reach the 46" high datum)
- 30** 30" high (to reach 53" datum)

**Step 3. Width**

- 70** 70" wide

**Step 4. Surface Material**

- L** high-pressure laminate top/thermoplastic edge

**Prices for Steps 1-4.**

	<b>L</b>
<b>HZ380. 23 70</b>	\$795
<b>30 70</b>	\$953

**Step 5. Grain Direction**

- HRG** horizontal grain +\$0

OE1 Height Adjustable Micro Packs

OE1 Micro Pack Center Screen,  
4-Pack, Laminate *continued*

OE1 Height Adjustable Micro Packs

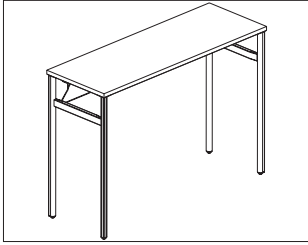
Step 6. Surface Finish		
<b>125</b>	natural maple (CP)	+\$0
<b>126</b>	natural cherry (CP)	+\$0
<b>127</b>	walnut (CP)	+\$0
<b>139</b>	light ash (CP)	+\$0
<b>140</b>	warm ash (CP)	+\$0
<b>76</b>	light brown walnut	+\$0
<b>8Q</b>	folkstone grey (CP)	+\$0
<b>91</b>	white (CP)	+\$0
<b>98</b>	studio white (CP)	+\$0
<b>CL</b>	cool grey neutral	+\$0
<b>G1</b>	graphite (CP)	+\$0
<b>HP</b>	light anigre	+\$0
<b>LBA</b>	clear on ash (CP)	+\$0
<b>LBB</b>	oak on ash (CP)	+\$0
<b>LBC</b>	walnut on ash (CP)	+\$0
<b>LBF</b>	neutral twill	+\$0
<b>LBJ</b>	graphite twill	+\$0
<b>LBQ</b>	white twill	+\$0
<b>LBR</b>	phantom ecru	+\$0
<b>LBS</b>	phantom cocoa	+\$0
<b>LBU</b>	medium matte walnut (CP)	+\$0
<b>LBV</b>	warm grey teak	+\$0
<b>LU</b>	soft white	+\$0
<b>WL</b>	warm stone (CP)	+\$0
<b>WN</b>	warm grey neutral	+\$0

Step 7. Edge Finish		
<b>125</b>	natural maple (CP)	+\$0
<b>126</b>	natural cherry (CP)	+\$0
<b>127</b>	walnut (CP)	+\$0
<b>139</b>	light ash (CP)	+\$0
<b>140</b>	warm ash (CP)	+\$0
<b>76</b>	light brown walnut	+\$0
<b>8Q</b>	folkstone grey (CP)	+\$0
<b>91</b>	white (CP)	+\$0
<b>98</b>	studio white (CP)	+\$0
<b>CL</b>	cool grey neutral	+\$0
<b>G1</b>	graphite (CP)	+\$0
<b>HF</b>	inner tone light	+\$0
<b>HP</b>	light anigre	+\$0
<b>LBA</b>	clear on ash (CP)	+\$0
<b>LBB</b>	oak on ash (CP)	+\$0
<b>LBC</b>	walnut on ash (CP)	+\$0
<b>LBF</b>	neutral twill	+\$0
<b>LBJ</b>	graphite twill	+\$0
<b>LBQ</b>	white twill	+\$0
<b>LBR</b>	phantom ecru	+\$0
<b>LBS</b>	phantom cocoa	+\$0
<b>LBU</b>	medium matte walnut (CP)	+\$0
<b>LBV</b>	warm grey teak	+\$0
<b>LU</b>	soft white	+\$0
<b>WL</b>	warm stone (CP)	+\$0
<b>WN</b>	warm grey neutral	+\$0



OE1 One-Piece Standing  
Communal Table, Single Sided

HZ400S



**Product Information**

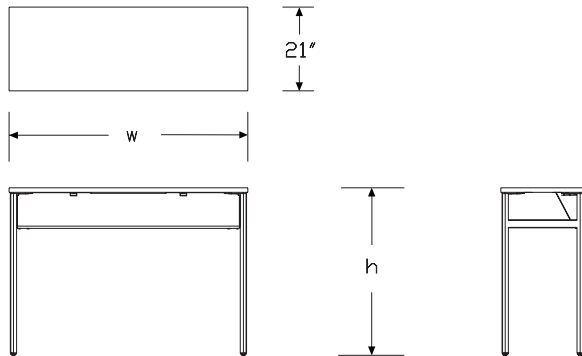
**Description**

This OE1 Workspace Collection™ standing-height, single-sided Communal Table has a laminate top with thermoplastic edge, laminate top with thermoplastic-backed plywood edge, or veneer top and edge. Available with cutouts to accommodate Herman Miller power options that are ordered separately.

**Notes**

Cutouts for single-sided Communal Table are for rectangular Logic Mini units only.  
Counterweights must be specified when using screens with this table. See OE1 planning guide for more information.

**Dimensions**



**Specification Information**

**Step 1.**

**HZ400**

**Step 2. Edge**

**S.** squared-edge

**Step 3. Height**

**36** 36" high (counter height)

**42** 42" high (bar height)

**Step 4. Depth**

**21** 21" deep

**Step 5. Width**

**60** 60" wide

**72** 72" wide

**96** 96" wide

**Step 6. Surface Material**

**L** high-pressure laminate top/thermoplastic edge

**U** high-pressure laminate/universal edge

**W** veneer top/veneer edge **A**

**A** high-pressure laminate top/thermoplastic edge with MicrobeCare™ **A**

**C** high-pressure laminate top/universal edge with MicrobeCare™ **A**

**Prices for Steps 1-6.**

	<b>60L</b>	<b>60U</b>	<b>60W</b>	<b>60A</b>	<b>60C</b>	<b>72L</b>
<b>HZ400S. 36 21</b>	\$4385	4385	5349	4488	4488	4659
<b>42 21</b>	\$3835	3835	4682	3939	3939	4110
	<b>72U</b>	<b>72W</b>	<b>72A</b>	<b>72C</b>	<b>96L</b>	<b>96U</b>
<b>HZ400S. 36 21</b>	\$4659	5684	4762	4762	4933	4933
<b>42 21</b>	\$4110	5014	4212	4212	4385	4385
	<b>96W</b>	<b>96A</b>	<b>96C</b>			
<b>HZ400S. 36 21</b>		\$6021	5051	5051		
<b>42 21</b>		\$5349	4501	4501		

OE1 Communal Tables

# OE1 One-Piece Standing Communal Table, Single Sided

continued

OE1 Communal Tables

## Step 7. Power Access Cutout

### For 60" wide (60) or 72" wide (72)

<b>1</b>	one centered cutout for Logic Mini (rectangle) - Y1414 & Y1412	+\$65
<b>2</b>	two cutouts for Logic Mini Vine (rectangle) - Y1415 & Y1412	+\$130
<b>N</b>	no cutouts	+\$0

### For 96" wide (96)

<b>2</b>	two cutouts for Logic Mini Vine (rectangle) - Y1415 & Y1412	+\$130
<b>N</b>	no cutouts	+\$0

## Step 8. Counterweight

### For 60" wide (60)

<b>F</b>	for use with fabric screen	+\$0
<b>M</b>	for use with metal modesty screen	+\$80
<b>N</b>	no screen	+\$0

### For 72" wide (72)

<b>F</b>	for use with fabric screen	+\$80
<b>M</b>	for use with metal modesty screen	+\$160
<b>N</b>	no screen	+\$0

### For 96" wide (96)

<b>F</b>	for use with fabric screen	+\$160
<b>M</b>	for use with metal modesty screen	+\$240
<b>N</b>	no screen	+\$0

## Step 9.

### Top Finish

For high-pressure laminate top/thermoplastic edge (L), high-pressure laminate/universal edge (U), high-pressure laminate top/thermoplastic edge with MicrobeCare™ (A), or high-pressure laminate top/universal edge with MicrobeCare™ (C)

<b>125</b>	natural maple (CP) <input type="checkbox"/> A	+\$0
<b>126</b>	natural cherry (CP) <input type="checkbox"/> A	+\$0
<b>127</b>	walnut (CP) <input type="checkbox"/> A	+\$0
<b>139</b>	light ash (CP) <input type="checkbox"/> A	+\$0
<b>140</b>	warm ash (CP) <input type="checkbox"/> A	+\$0
<b>76</b>	light brown walnut	+\$0
<b>8Q</b>	folkstone grey (CP)	+\$0
<b>91</b>	white (CP)	+\$0
<b>98</b>	studio white (CP)	+\$0
<b>CL</b>	cool grey neutral	+\$0
<b>HF</b>	inner tone light	+\$0
<b>HP</b>	light anigre	+\$0
<b>LBA</b>	clear on ash (CP)	+\$0
<b>LBB</b>	oak on ash (CP)	+\$0
<b>LBC</b>	walnut on ash (CP)	+\$0
<b>LBF</b>	neutral twill	+\$0
<b>LBJ</b>	graphite twill	+\$0
<b>LBQ</b>	white twill	+\$0
<b>LBR</b>	phantom ecru <input type="checkbox"/> A	+\$0
<b>LBS</b>	phantom cocoa <input type="checkbox"/> A	+\$0
<b>LBU</b>	medium matte walnut (CP) <input type="checkbox"/> A	+\$0
<b>LBV</b>	warm grey teak <input type="checkbox"/> A	+\$0
<b>LT</b>	light tone	+\$0
<b>LU</b>	soft white	+\$0
<b>WL</b>	warm stone (CP)	+\$0
<b>WN</b>	warm grey neutral	+\$0

### Top/Edge Finish

#### For veneer top/veneer edge (W)

<b>2U</b>	light brown walnut <input type="checkbox"/> A	+\$200
<b>40</b>	dark brown walnut <input type="checkbox"/> A	+\$200
<b>CHD</b>	noble cherry	+\$200
<b>ET</b>	clear on ash <input type="checkbox"/> A	+\$0
<b>EU</b>	oak on ash <input type="checkbox"/> A	+\$0
<b>EV</b>	walnut on ash <input type="checkbox"/> A	+\$0
<b>EW</b>	medium matte walnut <input type="checkbox"/> A	+\$200
<b>OK</b>	white oak (nonstandard) <input type="checkbox"/> A	+\$200
<b>UL</b>	natural maple <input type="checkbox"/> A	+\$0
<b>WHN</b>	natural white oak	+\$200

# OE1 One-Piece Standing Communal Table, Single Sided

continued

## Step 10. Edge Finish

*For high-pressure laminate top/thermoplastic edge (L) or high-pressure laminate top/thermoplastic edge with MicrobeCare™ (A)*

<b>125</b>	natural maple (CP)	+\$0
<b>126</b>	natural cherry (CP)	+\$0
<b>127</b>	walnut (CP)	+\$0
<b>139</b>	light ash (CP)	+\$0
<b>140</b>	warm ash (CP)	+\$0
<b>76</b>	light brown walnut	+\$0
<b>8Q</b>	folkstone grey (CP)	+\$0
<b>91</b>	white (CP)	+\$0
<b>98</b>	studio white (CP)	+\$0
<b>CL</b>	cool grey neutral	+\$0
<b>G1</b>	graphite (CP)	+\$0
<b>HF</b>	inner tone light	+\$0
<b>HP</b>	light anigre	+\$0
<b>LBA</b>	clear on ash (CP)	+\$0
<b>LBB</b>	oak on ash (CP)	+\$0
<b>LBC</b>	walnut on ash (CP)	+\$0
<b>LBF</b>	neutral twill	+\$0
<b>LBJ</b>	graphite twill	+\$0
<b>LBQ</b>	white twill	+\$0
<b>LBR</b>	phantom ecru	+\$0
<b>LBS</b>	phantom cocoa	+\$0
<b>LBU</b>	medium matte walnut (CP)	+\$0
<b>LBV</b>	warm grey teak	+\$0
<b>LU</b>	soft white	+\$0
<b>WL</b>	warm stone (CP)	+\$0

*For high-pressure laminate/universal edge (U) or high-pressure laminate top/universal edge with MicrobeCare™ (C)*

<b>PLY</b>	plywood edge	+\$50
------------	--------------	-------

## Step 11. Base Finish

### Metallic Paint

<b>611</b>	beige mist metallic (CP)	+\$0
<b>613</b>	silver (CP)	+\$0
<b>SNA</b>	satin aluminum	+\$135
<b>SNB</b>	satin bronze	+\$135
<b>SNC</b>	satin carbon	+\$135

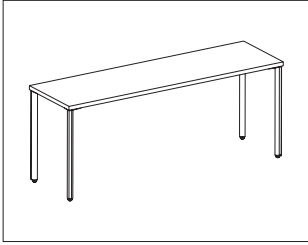
### Sand Texture Paint

<b>UBK</b>	ultra black (CP)	+\$0
<b>8Q</b>	folkstone grey (CP)	+\$0
<b>91</b>	white (CP)	+\$0
<b>98</b>	studio white (CP)	+\$0
<b>BK</b>	black	+\$0
<b>G1</b>	graphite (CP)	+\$0
<b>WL</b>	warm stone (CP)	+\$0
<b>DB3</b>	glacier	+\$125
<b>DN2</b>	nightfall	+\$125
<b>DR1</b>	canyon	+\$125
<b>OLF</b>	olive	+\$125

OE1 Communal Tables

OE1 One-Piece Seated  
Communal Table, Single Sided

HZ405S



OE1 Communal Tables

**Product Information**

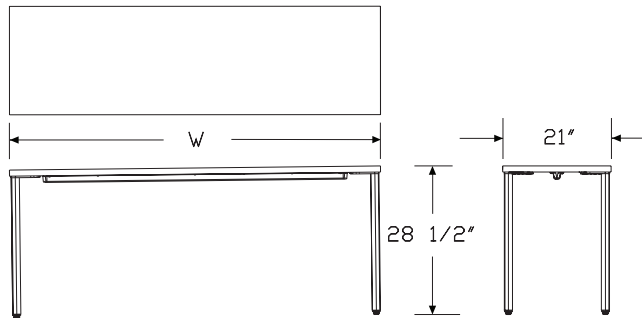
**Description**

This OE1 Workspace Collection™ seated-height, single-sided Communal Table has a laminate top with thermoplastic edge, laminate top with thermoplastic-backed plywood edge, or veneer top and edge. Available with cutouts to accommodate Herman Miller power options that are ordered separately.

**Notes**

Cutouts for single-sided Communal Table are for rectangular Logic Mini units only.  
Table includes stiffener.

**Dimensions**



**Specification Information**

**Step 1.**

**HZ405**

**Step 2. Edge**

**S.** squared-edge

**Step 3. Height**

**29** 28.5" high (seated height)

**Step 4. Depth**

**21** 21" deep

**Step 5. Width**

**60** 60" wide

**72** 72" wide

**Step 6. Surface Material**

- L** high-pressure laminate top/thermoplastic edge
- U** high-pressure laminate/universal edge
- W** veneer top/veneer edge A
- A** high-pressure laminate top/thermoplastic edge with MicrobeCare™ A
- C** high-pressure laminate top/universal edge with MicrobeCare™ A

**Prices for Steps 1-6.**

	<b>60L</b>	<b>60U</b>	<b>60W</b>	<b>60A</b>	<b>60C</b>	<b>72L</b>
<b>HZ405S. 29 21</b>	\$1514	1514	2269	1617	1617	1651
			<b>72U</b>	<b>72W</b>	<b>72A</b>	<b>72C</b>
<b>HZ405S. 29 21</b>			\$1651	2474	1754	1754

**Step 7. Power Access Cutout**

- N** no cutouts +\$0
- 1** one centered cutout for Logic Mini (rectangle) - Y1414 & Y1412 +\$65
- 2** two cutouts for Logic Mini Vine (rectangle) - Y1415 & Y1412 +\$130

# OE1 One-Piece Seated Communal Table, Single Sided

continued

## Step 8.

### Top Finish

For high-pressure laminate top/thermoplastic edge (L), high-pressure laminate/universal edge (U), high-pressure laminate top/thermoplastic edge with MicrobeCare™ (A), or high-pressure laminate top/universal edge with MicrobeCare™ (C)

<b>125</b>	natural maple (CP) <input type="checkbox"/>	+\$0
<b>126</b>	natural cherry (CP) <input type="checkbox"/>	+\$0
<b>127</b>	walnut (CP) <input type="checkbox"/>	+\$0
<b>139</b>	light ash (CP) <input type="checkbox"/>	+\$0
<b>140</b>	warm ash (CP) <input type="checkbox"/>	+\$0
<b>76</b>	light brown walnut	+\$0
<b>8Q</b>	folkstone grey (CP)	+\$0
<b>91</b>	white (CP)	+\$0
<b>98</b>	studio white (CP)	+\$0
<b>CL</b>	cool grey neutral	+\$0
<b>HF</b>	inner tone light	+\$0
<b>HP</b>	light anigre	+\$0
<b>LBA</b>	clear on ash (CP)	+\$0
<b>LBB</b>	oak on ash (CP)	+\$0
<b>LBC</b>	walnut on ash (CP)	+\$0
<b>LBF</b>	neutral twill	+\$0
<b>LBJ</b>	graphite twill	+\$0
<b>LBQ</b>	white twill	+\$0
<b>LBR</b>	phantom ecru <input type="checkbox"/>	+\$0
<b>LBS</b>	phantom cocoa <input type="checkbox"/>	+\$0
<b>LBU</b>	medium matte walnut (CP) <input type="checkbox"/>	+\$0
<b>LBV</b>	warm grey teak <input type="checkbox"/>	+\$0
<b>LT</b>	light tone	+\$0
<b>LU</b>	soft white	+\$0
<b>WL</b>	warm stone (CP)	+\$0
<b>WN</b>	warm grey neutral	+\$0

### Top/Edge Finish

For veneer top/veneer edge (W)

<b>2U</b>	light brown walnut <input type="checkbox"/>	+\$200
<b>40</b>	dark brown walnut <input type="checkbox"/>	+\$200
<b>CHD</b>	noble cherry	+\$200
<b>ET</b>	clear on ash <input type="checkbox"/>	+\$0
<b>EU</b>	oak on ash <input type="checkbox"/>	+\$0
<b>EV</b>	walnut on ash <input type="checkbox"/>	+\$0
<b>EW</b>	medium matte walnut <input type="checkbox"/>	+\$200
<b>OK</b>	white oak (nonstandard) <input type="checkbox"/>	+\$200
<b>UL</b>	natural maple <input type="checkbox"/>	+\$0
<b>WHN</b>	natural white oak	+\$200

## Step 9. Edge Finish

For high-pressure laminate top/thermoplastic edge (L) or high-pressure laminate top/thermoplastic edge with MicrobeCare™ (A)

<b>125</b>	natural maple (CP)	+\$0
<b>126</b>	natural cherry (CP)	+\$0
<b>127</b>	walnut (CP)	+\$0
<b>139</b>	light ash (CP)	+\$0
<b>140</b>	warm ash (CP)	+\$0
<b>76</b>	light brown walnut	+\$0
<b>8Q</b>	folkstone grey (CP)	+\$0
<b>91</b>	white (CP)	+\$0
<b>98</b>	studio white (CP)	+\$0
<b>CL</b>	cool grey neutral	+\$0
<b>G1</b>	graphite (CP)	+\$0
<b>HF</b>	inner tone light	+\$0
<b>HP</b>	light anigre	+\$0
<b>LBA</b>	clear on ash (CP)	+\$0
<b>LBB</b>	oak on ash (CP)	+\$0
<b>LBC</b>	walnut on ash (CP)	+\$0
<b>LBF</b>	neutral twill	+\$0
<b>LBJ</b>	graphite twill	+\$0
<b>LBQ</b>	white twill	+\$0
<b>LBR</b>	phantom ecru	+\$0
<b>LBS</b>	phantom cocoa	+\$0
<b>LBU</b>	medium matte walnut (CP)	+\$0
<b>LBV</b>	warm grey teak	+\$0
<b>LU</b>	soft white	+\$0
<b>WL</b>	warm stone (CP)	+\$0

For high-pressure laminate/universal edge (U) or high-pressure laminate top/universal edge with MicrobeCare™ (C)

<b>PLY</b>	plywood edge	+\$50
------------	--------------	-------

## Step 10. Base Finish

### Metallic Paint

<b>611</b>	beige mist metallic (CP)	+\$0
<b>613</b>	silver (CP)	+\$0
<b>SNA</b>	satin aluminum	+\$135
<b>SNB</b>	satin bronze	+\$135
<b>SNC</b>	satin carbon	+\$135

# OE1 One-Piece Seated Communal Table, Single Sided

*continued*

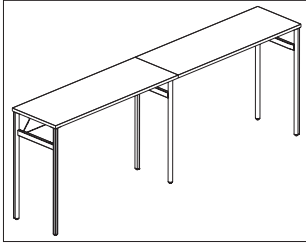
**OE1 Communal Tables**

---

Sand Texture Paint		
<b>UBK</b>	ultra black (CP)	+\$0
<b>8Q</b>	folkstone grey (CP)	+\$0
<b>91</b>	white (CP)	+\$0
<b>98</b>	studio white (CP)	+\$0
<b>BK</b>	black	+\$0
<b>G1</b>	graphite (CP)	+\$0
<b>WL</b>	warm stone (CP)	+\$0
<b>DB3</b>	glacier	+\$125
<b>DN2</b>	nightfall	+\$125
<b>DR1</b>	canyon	+\$125
<b>OLF</b>	olive	+\$125

OE1 Two-Piece Standing  
Communal Table, Single Sided

HZ410S



**Product Information**

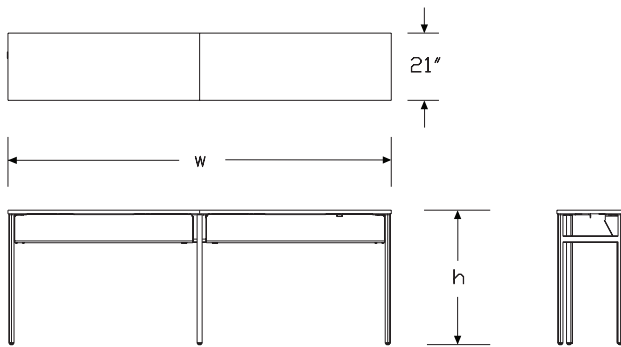
**Description**

This OE1 Workspace Collection™ 2-piece, standing-height, single-sided Communal Table has a laminate top with thermoplastic edge, laminate top with thermoplastic-backed plywood edge, or veneer top and edge. Available with cutouts to accommodate Herman Miller power options that are ordered separately.

**Notes**

Cutouts for single-sided Communal Table are for rectangular Logic Mini units only.  
Counterweights must be specified when using screens with this table.  
See OE1 planning guide for more information.

**Dimensions**



**Specification Information**

**Step 1.**

**HZ410**

**Step 2. Edge**

**S.** squared-edge

**Step 3. Height**

**36** 36" high (counter height)

**42** 42" high (bar height)

**Step 4. Depth**

**21** 21" deep

**Step 5. Width**

**120** 120" wide

**144** 144" wide

**192** 192" wide

**Step 6. Surface Material**

**L** high-pressure laminate top/thermoplastic edge

**U** high-pressure laminate/universal edge

**W** veneer top/veneer edge **A**

**A** high-pressure laminate top/thermoplastic edge with MicrobeCare™ **A**

**C** high-pressure laminate top/universal edge with MicrobeCare™ **A**

**Prices for Steps 1-6.**

	<b>120L</b>	<b>120U</b>	<b>120W</b>	<b>120A</b>	<b>120C</b>	<b>144L</b>
<b>HZ410S. 36 21</b>	\$7341	7341	8953	7546	7546	7615
<b>42 21</b>	\$6517	6517	7951	6722	6722	6792
	<b>144U</b>	<b>144W</b>	<b>144A</b>	<b>144C</b>	<b>192L</b>	<b>192U</b>
<b>HZ410S. 36 21</b>	\$7615	9291	7821	7821	7890	7890
<b>42 21</b>	\$6792	8285	6997	6997	7067	7067
			<b>192W</b>	<b>192A</b>	<b>192C</b>	
<b>HZ410S. 36 21</b>			\$9626	8095	8095	
<b>42 21</b>			\$8620	7272	7272	

# OE1 Two-Piece Standing Communal Table, Single Sided

continued

OE1 Communal Tables

## Step 7. Power Access Cutout

*For 120" wide (120) or 144" wide (144)*

<b>N</b>	no cutouts	+\$0
<b>2</b>	two cutouts for Logic Mini Vine (rectangle) - Y1415 & Y1412	+\$130
<b>4</b>	four cutouts for Logic Mini Vine (rectangle) - Y1415 & Y1412 (2 cutouts in each surface)	+\$260

*For 192" wide (192)*

<b>N</b>	no cutouts	+\$0
<b>4</b>	four cutouts for Logic Mini Vine (rectangle) - Y1415 & Y1412 (2 cutouts in each surface)	+\$260

## Step 8. Counterweight

*For 120" wide (120)*

<b>F</b>	for use with fabric screen	+\$0
<b>M</b>	for use with metal modesty screen	+\$160
<b>N</b>	no screen	+\$0

*For 144" wide (144)*

<b>F</b>	for use with fabric screen	+\$160
<b>M</b>	for use with metal modesty screen	+\$320
<b>N</b>	no screen	+\$0

*For 192" wide (192)*

<b>F</b>	for use with fabric screen	+\$320
<b>M</b>	for use with metal modesty screen	+\$480
<b>N</b>	no screen	+\$0

## Step 9.

### Top Finish

*For high-pressure laminate top/thermoplastic edge (L), high-pressure laminate/universal edge (U), high-pressure laminate top/thermoplastic edge with MicrobeCare™ (A), or high-pressure laminate top/universal edge with MicrobeCare™ (C)*

<b>125</b>	natural maple (CP) <input type="checkbox"/> A	+\$0
<b>126</b>	natural cherry (CP) <input type="checkbox"/> A	+\$0
<b>127</b>	walnut (CP) <input type="checkbox"/> A	+\$0
<b>139</b>	light ash (CP) <input type="checkbox"/> A	+\$0
<b>140</b>	warm ash (CP) <input type="checkbox"/> A	+\$0
<b>76</b>	light brown walnut	+\$0
<b>8Q</b>	folkstone grey (CP)	+\$0
<b>91</b>	white (CP)	+\$0
<b>98</b>	studio white (CP)	+\$0
<b>CL</b>	cool grey neutral	+\$0
<b>HF</b>	inner tone light	+\$0
<b>HP</b>	light anigre	+\$0
<b>LBA</b>	clear on ash (CP)	+\$0
<b>LBB</b>	oak on ash (CP)	+\$0
<b>LBC</b>	walnut on ash (CP)	+\$0
<b>LBF</b>	neutral twill	+\$0
<b>LBJ</b>	graphite twill	+\$0
<b>LBQ</b>	white twill	+\$0
<b>LBR</b>	phantom ecru <input type="checkbox"/> A	+\$0
<b>LBS</b>	phantom cocoa <input type="checkbox"/> A	+\$0
<b>LBU</b>	medium matte walnut (CP) <input type="checkbox"/> A	+\$0
<b>LBV</b>	warm grey teak <input type="checkbox"/> A	+\$0
<b>LT</b>	light tone	+\$0
<b>LU</b>	soft white	+\$0
<b>WL</b>	warm stone (CP)	+\$0
<b>WN</b>	warm grey neutral	+\$0

### Top/Edge Finish

*For veneer top/veneer edge (W)*

<b>2U</b>	light brown walnut <input type="checkbox"/> A	+\$200
<b>40</b>	dark brown walnut <input type="checkbox"/> A	+\$200
<b>CHD</b>	noble cherry	+\$200
<b>ET</b>	clear on ash <input type="checkbox"/> A	+\$0
<b>EU</b>	oak on ash <input type="checkbox"/> A	+\$0
<b>EV</b>	walnut on ash <input type="checkbox"/> A	+\$0
<b>EW</b>	medium matte walnut <input type="checkbox"/> A	+\$200
<b>OK</b>	white oak (nonstandard) <input type="checkbox"/> A	+\$200
<b>UL</b>	natural maple <input type="checkbox"/> A	+\$0
<b>WHN</b>	natural white oak	+\$200



# OE1 Two-Piece Standing Communal Table, Single Sided

continued

## Step 10. Edge Finish

*For high-pressure laminate top/thermoplastic edge (L) or high-pressure laminate top/thermoplastic edge with MicrobeCare™ (A)*

<b>125</b>	natural maple (CP)	+\$0
<b>126</b>	natural cherry (CP)	+\$0
<b>127</b>	walnut (CP)	+\$0
<b>139</b>	light ash (CP)	+\$0
<b>140</b>	warm ash (CP)	+\$0
<b>76</b>	light brown walnut	+\$0
<b>8Q</b>	folkstone grey (CP)	+\$0
<b>91</b>	white (CP)	+\$0
<b>98</b>	studio white (CP)	+\$0
<b>CL</b>	cool grey neutral	+\$0
<b>G1</b>	graphite (CP)	+\$0
<b>HF</b>	inner tone light	+\$0
<b>HP</b>	light anigre	+\$0
<b>LBA</b>	clear on ash (CP)	+\$0
<b>LBB</b>	oak on ash (CP)	+\$0
<b>LBC</b>	walnut on ash (CP)	+\$0
<b>LBF</b>	neutral twill	+\$0
<b>LBJ</b>	graphite twill	+\$0
<b>LBQ</b>	white twill	+\$0
<b>LBR</b>	phantom ecru	+\$0
<b>LBS</b>	phantom cocoa	+\$0
<b>LBU</b>	medium matte walnut (CP)	+\$0
<b>LBV</b>	warm grey teak	+\$0
<b>LU</b>	soft white	+\$0
<b>WL</b>	warm stone (CP)	+\$0

*For high-pressure laminate/universal edge (U) or high-pressure laminate top/universal edge with MicrobeCare™ (C)*

<b>PLY</b>	plywood edge	+\$50
------------	--------------	-------

## Step 11. Base Finish

### Metallic Paint

<b>611</b>	beige mist metallic (CP)	+\$0
<b>613</b>	silver (CP)	+\$0
<b>SNA</b>	satin aluminum	+\$135
<b>SNB</b>	satin bronze	+\$135
<b>SNC</b>	satin carbon	+\$135

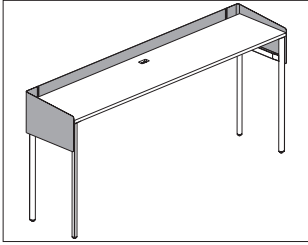
### Sand Texture Paint

<b>UBK</b>	ultra black (CP)	+\$0
<b>8Q</b>	folkstone grey (CP)	+\$0
<b>91</b>	white (CP)	+\$0
<b>98</b>	studio white (CP)	+\$0
<b>BK</b>	black	+\$0
<b>G1</b>	graphite (CP)	+\$0
<b>WL</b>	warm stone (CP)	+\$0
<b>DB3</b>	glacier	+\$125
<b>DN2</b>	nightfall	+\$125
<b>DR1</b>	canyon	+\$125
<b>OLF</b>	olive	+\$125

OE1 Communal Tables

# OE1 Communal Table Metal Screen, Surface Attached with Modesty

HZ420.



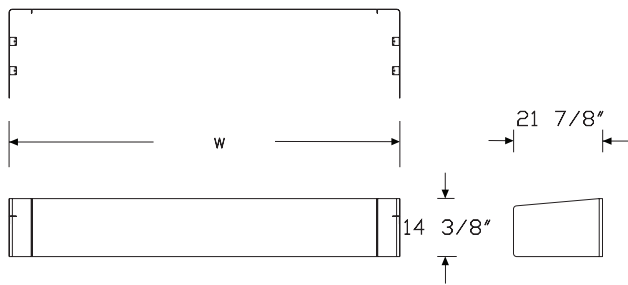
OE1 Communal Tables

## Product Information

**Description**  
This metal screen attaches to the surface of a single-sided OE1 Workspace Collection™ Communal Table. It provides boundary above and modesty below the surface. Attachment hardware included.

**Notes**  
Screen extends 3" above and 10" below the surface.

## Dimensions



## Specification Information

**Step 1.**  
**HZ420.**

**Step 2. Height**  
**3** 3" above surface/10" below surface

**Step 3. Communal Table Width**  
**60** 60" wide (for use with 1 piece work bar)  
**72** 72" wide (for use with 1 piece work bar)  
**96** 96" wide (for use with 1 piece work bar)  
**120** 120" wide (for use with 2 piece work bar)  
**144** 144" wide (for use with 2 piece work bar)  
**192** 192" wide (for use with 2 piece work bar)

## Prices for Steps 1-3.

	60	72	96	120	144	192
<b>HZ420. 3</b>	\$965	1172	1375	1651	1856	2061

## Step 4. Screen Finish

**Metallic Paint**  
*For 120" wide (for use with 2 piece work bar) (120), 144" wide (for use with 2 piece work bar) (144), or 192" wide (for use with 2 piece work bar) (192)*

<b>611</b>	beige mist metallic (CP)	+\$0
<b>613</b>	silver (CP)	+\$0
<b>SNA</b>	satin aluminum	+\$135
<b>SNB</b>	satin bronze	+\$135
<b>SNC</b>	satin carbon	+\$135

**Sand Texture Paint**  
*For 120" wide (for use with 2 piece work bar) (120), 144" wide (for use with 2 piece work bar) (144), or 192" wide (for use with 2 piece work bar) (192)*

<b>8Q</b>	folkstone grey (CP)	+\$0
<b>91</b>	white (CP)	+\$0
<b>98</b>	studio white (CP)	+\$0
<b>BK</b>	black	+\$0
<b>DB3</b>	glacier	+\$125
<b>DN2</b>	nightfall	+\$125
<b>DR1</b>	canyon	+\$125
<b>OLF</b>	olive	+\$125
<b>UBK</b>	ultra black (CP)	+\$0

OE1 Communal Table Metal  
Screen, Surface Attached with  
Modesty *continued*

---

Metallic Paint

*For 60" wide (for use with 1 piece work bar) (60), 72" wide (for use with 1 piece work bar) (72), or 96" wide (for use with 1 piece work bar) (96)*

<b>611</b>	beige mist metallic (CP)	+\$0
<b>613</b>	silver (CP)	+\$0
<b>SNA</b>	satin aluminum	+\$60
<b>SNB</b>	satin bronze	+\$60
<b>SNC</b>	satin carbon	+\$60

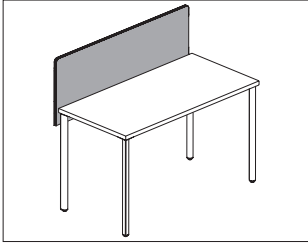
---

Sand Texture Paint

*For 60" wide (for use with 1 piece work bar) (60), 72" wide (for use with 1 piece work bar) (72), or 96" wide (for use with 1 piece work bar) (96)*

<b>8Q</b>	folkstone grey (CP)	+\$0
<b>91</b>	white (CP)	+\$0
<b>98</b>	studio white (CP)	+\$0
<b>BK</b>	black	+\$0
<b>DB3</b>	glacier	+\$50
<b>DN2</b>	nightfall	+\$50
<b>DR1</b>	canyon	+\$50
<b>OLF</b>	olive	+\$50
<b>UBK</b>	ultra black (CP)	+\$0

OE1 Communal Table Flat Edge Screen, Surface Attached with Modesty HZ430.



OE1 Communal Tables

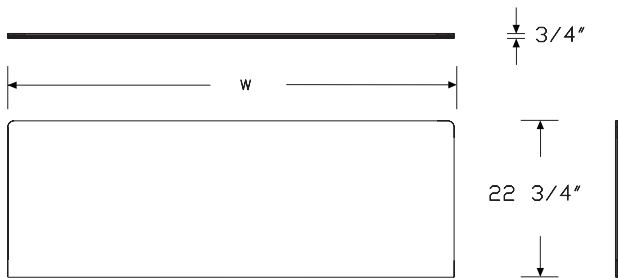
**Product Information**

**Description**  
This tackable fabric screen attaches to the surface of an OE1 Workspace Collection™ Communal Table. It provides boundary above and modesty below the surface. Attachment hardware included.

**Notes**

Screen accepts Customer's Own Material (COM). Yardage is estimated for nondirectional, 54" wide fabrics.  
For vertical fabric direction (T, E):  
Width—Yardage  
48—1.70  
60—2.08  
72—2.46  
For horizontal fabric direction (R, D):  
Width—Yardage  
48—1.76  
60—2.08  
72—2.46  
For information on multiple quantities or directional fabrics, contact COM Department. See Order Information in appendices.

**Dimensions**



**Specification Information**

**Step 1.**

**HZ430.**

**Step 2. Attachment**

**W** communal table surface attached

**Step 3. Height**

**14** 14" above surface/ 9" below surface

**Step 4. Width**

**48** 48" wide

**60** 60" wide

**72** 72" wide

**Step 5. Surface Material**

*For 48" wide (48)*

**T** tackable fabric

**R** tackable fabric, horizontal

**D** tackable fabric, horizontal with MicrobeCare™

**E** tackable fabric with MicrobeCare™

*For 60" wide (60) or 72" wide (72)*

**R** tackable fabric, horizontal

**D** tackable fabric, horizontal with MicrobeCare™

**Prices for Steps 1-5.**

	<b>48T</b>	<b>48R</b>	<b>48D</b>	<b>48E</b>	<b>60R</b>	<b>60D</b>
<b>HZ430. W 14</b>	\$878	878	960	960	1011	1096
					<b>72R</b>	<b>72D</b>
<b>HZ430. W 14</b>					\$1231	1313

**Step 6. Bracket Finish**

**G1** graphite (CP) +\$0

OE1 Communal Table Flat Edge  
 Screen, Surface Attached with  
 Modesty *continued*

Step 7. Fabric

*For 48" wide (48)*

Price Category B	+\$373
Price Category 1	+\$0
Price Category 2	+\$48
Price Category 3	+\$118
Price Category 4	+\$209
Price Category 5	+\$355
Price Category C	+\$506
Price Category E	+\$764

*For 60" wide (60)*

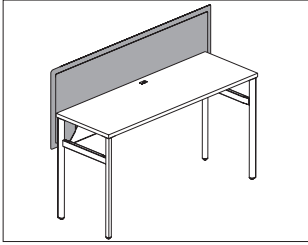
Price Category B	+\$457
Price Category 1	+\$0
Price Category 2	+\$60
Price Category 3	+\$144
Price Category 4	+\$256
Price Category 5	+\$436
Price Category C	+\$619
Price Category E	+\$935

*For 72" wide (72)*

Price Category B	+\$539
Price Category 1	+\$0
Price Category 2	+\$70
Price Category 3	+\$169
Price Category 4	+\$301
Price Category 5	+\$514
Price Category C	+\$730
Price Category E	+\$1103

OE1 Communal Table Pari  
Screen, Surface Attached with  
Modesty

HZ440.



OE1 Communal Tables

**Product Information**

**Description**

This tackable Pari fabric screen attaches to the surface of an OE1 Workspace Collection™ Communal Table. It provides boundary above and modesty below the surface. Attachment hardware included.

**Notes**

Screen accepts Customer's Own Material (COM). Yardage is estimated for nondirectional, 54" wide fabrics.

For vertical fabric direction (T, E):

Width—Yardage

48—1.70

For horizontal fabric direction (R, D):

Width—Yardage

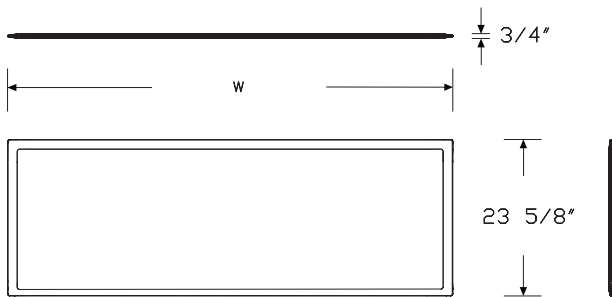
48—1.76

60—2.08

72—2.46

For information on multiple quantities or directional fabrics, contact COM Department. See Order Information in appendices.

**Dimensions**



**Specification Information**

**Step 1.**

**HZ440.**

**Step 2. Attachment**

**W** communal table surface attached

**Step 3. Height**

**14** 14" above surface/ 9" below surface

**Step 4. Width**

**48** 48" wide

**60** 60" wide

**72** 72" wide

**Step 5. Surface Material**

*For 48" wide (48)*

**T** tackable fabric

**R** tackable fabric, horizontal

**D** tackable fabric, horizontal with MicrobeCare™

**E** tackable fabric with MicrobeCare™

*For 60" wide (60) or 72" wide (72)*

**R** tackable fabric, horizontal

**D** tackable fabric, horizontal with MicrobeCare™

**Prices for Steps 1-5.**

	<b>48T</b>	<b>48R</b>	<b>48D</b>	<b>48E</b>	<b>60R</b>	<b>60D</b>
<b>HZ440. W 14</b>	\$1213	1213	1297	1297	1416	1499
					<b>72R</b>	<b>72D</b>
<b>HZ440. W 14</b>					\$1562	1646

**Step 6. Bracket Finish**

**UBK** ultra black (CP) +\$0

OE1 Communal Table Pari  
 Screen, Surface Attached with  
 Modesty *continued*

Step 7. Fabric

*For 48" wide (48)*

Price Category B	+\$373
Price Category 1	+\$0
Price Category 2	+\$48
Price Category 3	+\$118
Price Category 4	+\$209
Price Category 5	+\$355
Price Category C	+\$506
Price Category E	+\$764

*For 60" wide (60)*

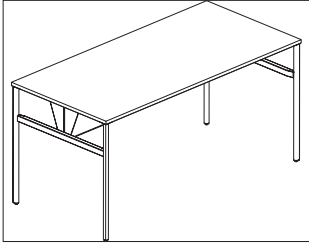
Price Category 5	+\$436
Price Category B	+\$457
Price Category 1	+\$0
Price Category 2	+\$60
Price Category 3	+\$144
Price Category 4	+\$256
Price Category C	+\$619
Price Category E	+\$935

*For 72" wide (72)*

Price Category B	+\$539
Price Category 1	+\$0
Price Category 2	+\$70
Price Category 3	+\$169
Price Category 4	+\$301
Price Category C	+\$730
Price Category E	+\$1103

OE1 One-Piece Standing  
Communal Table, Double Sided

HZ450S

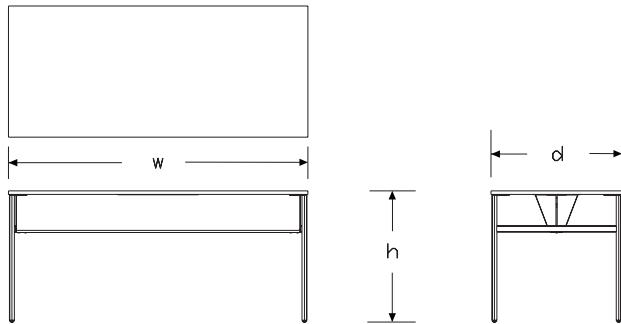


OE1 Communal Tables

**Product Information**

**Description**  
This OE1 Workspace Collection™ standing-height, double-sided Communal Table has a laminate top with thermoplastic edge, laminate top with thermoplastic-backed plywood edge, or veneer top and edge. Available with cutouts to accommodate Herman Miller power options that are ordered separately.

**Dimensions**



**Specification Information**

**Step 1.**

**HZ450**

**Step 2. Edge**

**S.** squared-edge

**Step 3. Height**

**36** 36" high (counter height)

**42** 42" high (bar height)

**Step 4. Depth**

**30** 30" deep

**42** 42" deep

**Step 5. Width**

**60** 60" wide

**72** 72" wide

**96** 96" wide

**Step 6. Surface Material**

**L** high-pressure laminate top/thermoplastic edge

**U** high-pressure laminate/universal edge

**W** veneer top/veneer edge **A**

**A** high-pressure laminate top/thermoplastic edge with MicrobeCare™ **A**

**C** high-pressure laminate top/universal edge with MicrobeCare™ **A**

**Prices for Steps 1-6.**

		<b>60L</b>	<b>60U</b>	<b>60W</b>	<b>60A</b>	<b>60C</b>	<b>72L</b>
<b>HZ450S.</b>	<b>36 30</b>	\$4583	4583	5957	4686	4686	4857
	<b>42</b>	\$5130	5130	6670	5235	5235	5405
	<b>42 30</b>	\$4067	4067	5287	4170	4170	4341
	<b>42</b>	\$4615	4615	6001	4719	4719	4891
		<b>72U</b>	<b>72W</b>	<b>72A</b>	<b>72C</b>	<b>96L</b>	<b>96U</b>
<b>HZ450S.</b>	<b>36 30</b>	\$4857	6312	4960	4960	5130	5130
	<b>42</b>	\$5405	7027	5508	5508	5681	5681
	<b>42 30</b>	\$4341	5644	4444	4444	4643	4643
	<b>42</b>	\$4891	6357	4994	4994	5200	4643
				<b>96W</b>	<b>96A</b>	<b>96C</b>	
<b>HZ450S.</b>	<b>36 30</b>			\$6670	5247	5247	
	<b>42</b>			\$7384	5796	5796	
	<b>42 30</b>			\$6036	4761	4761	
	<b>42</b>			\$6760	5317	5317	



# OE1 One-Piece Standing Communal Table, Double Sided

continued

## Step 7. Power Access Cutout

### For 30" deep (30) with 60" wide (60)

<b>NC</b>	no cutout	+\$0
<b>C1</b>	one center cutout for Logic Mini (rectangle) - Y1414 and Y1412.1	+\$65
<b>C2</b>	one center cutout for Logic Mini (square) - Y1414 and Y1412.2	+\$65

### For 42" deep (42) with 60" wide (60)

<b>NC</b>	no cutout	+\$0
<b>C1</b>	one center cutout for Logic Mini (rectangle) - Y1414 and Y1412.1	+\$65
<b>C2</b>	one center cutout for Logic Mini (square) - Y1414 and Y1412.2	+\$65
<b>L3</b>	one center cutout for logic Y1425 3 port	+\$65
<b>L5</b>	one center cutout for logic Y1425 5 port	+\$65
<b>L6</b>	one center cutout for logic Y1425 6 port	+\$65
<b>TB</b>	one center cutout for technology bucket	+\$190

### For 30" deep (30) with 72" wide (72), or 96" wide (96)

<b>NC</b>	no cutout	+\$0
<b>C3</b>	two cutouts for logic mini (rectangle) - Y1415 and Y1412.1	+\$130
<b>C4</b>	two cutouts for logic mini (square) - Y1415 and Y1412.2	+\$130

### For 42" deep (42) with 72" wide (72), or 96" wide (96)

<b>NC</b>	no cutout	+\$0
<b>C3</b>	two cutouts for logic mini (rectangle) - Y1415 and Y1412.1	+\$130
<b>C4</b>	two cutouts for logic mini (square) - Y1415 and Y1412.2	+\$130
<b>L3</b>	one center cutout for logic Y1425 3 port	+\$65
<b>L5</b>	one center cutout for logic Y1425 5 port	+\$65
<b>L6</b>	one center cutout for logic Y1425 6 port	+\$65
<b>TB</b>	one center cutout for technology bucket	+\$190

## Step 8.

### Top Finish

For high-pressure laminate top/thermoplastic edge (L), high-pressure laminate/universal edge (U), high-pressure laminate top/thermoplastic edge with MicrobeCare™ (A), or high-pressure laminate top/universal edge with MicrobeCare™ (C)

<b>125</b>	natural maple (CP) <input type="checkbox"/> A	+\$0
<b>126</b>	natural cherry (CP) <input type="checkbox"/> A	+\$0
<b>127</b>	walnut (CP) <input type="checkbox"/> A	+\$0
<b>139</b>	light ash (CP) <input type="checkbox"/> A	+\$0
<b>140</b>	warm ash (CP) <input type="checkbox"/> A	+\$0
<b>76</b>	light brown walnut	+\$0
<b>8Q</b>	folkstone grey (CP)	+\$0
<b>91</b>	white (CP)	+\$0
<b>98</b>	studio white (CP)	+\$0
<b>CL</b>	cool grey neutral	+\$0
<b>HF</b>	inner tone light	+\$0
<b>HP</b>	light anigre	+\$0
<b>LBA</b>	clear on ash (CP)	+\$0
<b>LBB</b>	oak on ash (CP)	+\$0
<b>LBC</b>	walnut on ash (CP)	+\$0
<b>LBF</b>	neutral twill	+\$0
<b>LBJ</b>	graphite twill	+\$0
<b>LBQ</b>	white twill	+\$0
<b>LBR</b>	phantom ecru <input type="checkbox"/> A	+\$0
<b>LBS</b>	phantom cocoa <input type="checkbox"/> A	+\$0
<b>LBU</b>	medium matte walnut (CP) <input type="checkbox"/> A	+\$0
<b>LBV</b>	warm grey teak <input type="checkbox"/> A	+\$0
<b>LT</b>	light tone	+\$0
<b>LU</b>	soft white	+\$0
<b>WL</b>	warm stone (CP)	+\$0
<b>WN</b>	warm grey neutral	+\$0

### Top/Edge Finish

For veneer top/veneer edge (W)

<b>2U</b>	light brown walnut <input type="checkbox"/> A	+\$200
<b>40</b>	dark brown walnut <input type="checkbox"/> A	+\$200
<b>CHD</b>	noble cherry	+\$200
<b>ET</b>	clear on ash <input type="checkbox"/> A	+\$0
<b>EU</b>	oak on ash <input type="checkbox"/> A	+\$0
<b>EV</b>	walnut on ash <input type="checkbox"/> A	+\$0
<b>EW</b>	medium matte walnut <input type="checkbox"/> A	+\$200
<b>OK</b>	white oak (nonstandard) <input type="checkbox"/> A	+\$200
<b>UL</b>	natural maple <input type="checkbox"/> A	+\$0
<b>WHN</b>	natural white oak	+\$200

OE1 Communal Tables

# OE1 One-Piece Standing Communal Table, Double Sided

continued

OE1 Communal Tables

## Step 9. Edge Finish

For high-pressure laminate top/thermoplastic edge (L) or high-pressure laminate top/thermoplastic edge with MicrobeCare™ (A)

<b>125</b>	natural maple (CP)	+\$0
<b>126</b>	natural cherry (CP)	+\$0
<b>127</b>	walnut (CP)	+\$0
<b>139</b>	light ash (CP)	+\$0
<b>140</b>	warm ash (CP)	+\$0
<b>76</b>	light brown walnut	+\$0
<b>8Q</b>	folkstone grey (CP)	+\$0
<b>91</b>	white (CP)	+\$0
<b>98</b>	studio white (CP)	+\$0
<b>CL</b>	cool grey neutral	+\$0
<b>G1</b>	graphite (CP)	+\$0
<b>HF</b>	inner tone light	+\$0
<b>HP</b>	light anigre	+\$0
<b>LBA</b>	clear on ash (CP)	+\$0
<b>LBB</b>	oak on ash (CP)	+\$0
<b>LBC</b>	walnut on ash (CP)	+\$0
<b>LBF</b>	neutral twill	+\$0
<b>LBJ</b>	graphite twill	+\$0
<b>LBQ</b>	white twill	+\$0
<b>LBR</b>	phantom ecru	+\$0
<b>LBS</b>	phantom cocoa	+\$0
<b>LBU</b>	medium matte walnut (CP)	+\$0
<b>LBV</b>	warm grey teak	+\$0
<b>LU</b>	soft white	+\$0
<b>WL</b>	warm stone (CP)	+\$0

For high-pressure laminate/universal edge (U) or high-pressure laminate top/universal edge with MicrobeCare™ (C)

<b>PLY</b>	plywood edge	+\$50
------------	--------------	-------

## Step 10. Base Finish

### Metallic Paint

<b>611</b>	beige mist metallic (CP)	+\$0
<b>613</b>	silver (CP)	+\$0
<b>SNA</b>	satin aluminum	+\$135
<b>SNB</b>	satin bronze	+\$135
<b>SNC</b>	satin carbon	+\$135

## Sand Texture Paint

<b>UBK</b>	ultra black (CP)	+\$0
<b>8Q</b>	folkstone grey (CP)	+\$0
<b>91</b>	white (CP)	+\$0
<b>98</b>	studio white (CP)	+\$0
<b>BK</b>	black	+\$0
<b>G1</b>	graphite (CP)	+\$0
<b>WL</b>	warm stone (CP)	+\$0
<b>DB3</b>	glacier	+\$125
<b>DN2</b>	nightfall	+\$125
<b>DR1</b>	canyon	+\$125
<b>OLF</b>	olive	+\$125

## Step 11. Base Type

For 30" deep (30)

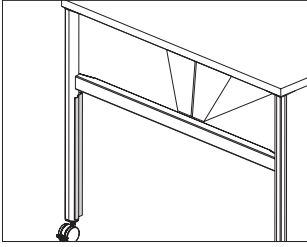
<b>G</b>	glides	+\$0
----------	--------	------

For 42" deep (42)

<b>C</b>	casters	+\$40
<b>G</b>	glides	+\$0

OE1 Leg Cable Manager for  
Communal Tables

HZ480.



**Product Information**

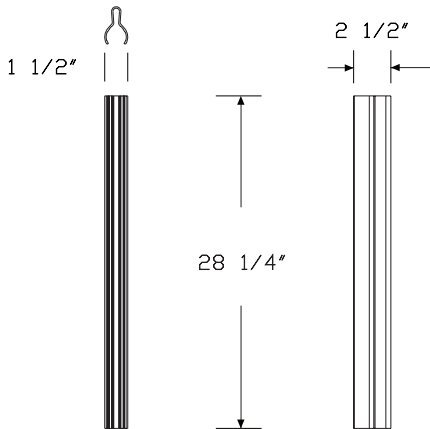
**Description**

This cable manager routes cables from the underside of a standing height or counter height OE1 Workspace Collection™ table down to the floor. The kit includes the cable manager and a cord bracket that attaches to the leg plate.

**Notes**

Cable manager can hold 2 cords.  
Cable manager can be used on standing-height and counter-height OE1 Communal Tables. See OE1 planning guide for application information.

**Dimensions**



**Specification Information**

**Step 1.**

**HZ480.**

**Step 2. Cable Manager Height**

**28** 28" high

**Prices for Steps 1-2.**

**HZ480. 28** \$125

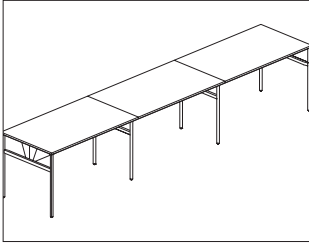
**Step 3. Finish**

<b>8Q</b>	folkstone grey (CP)	+\$0
<b>BK</b>	black	+\$0
<b>DB3</b>	glacier	+\$20
<b>DN2</b>	nightfall	+\$20
<b>DR1</b>	canyon	+\$20
<b>OLF</b>	olive	+\$20
<b>UBK</b>	ultra black (CP)	+\$0

OE1 Communal Tables

OE1 Three-Piece Standing  
Communal Table, Double Sided

HZ470S

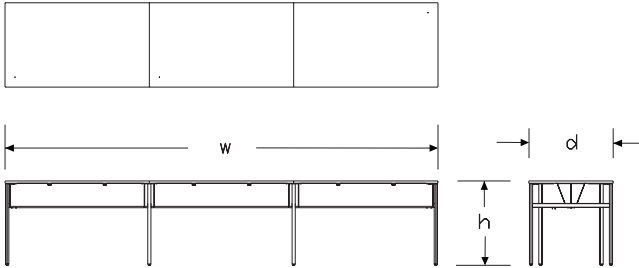


OE1 Communal Tables

**Product Information**

**Description**  
This OE1 Workspace Collection™ 3-piece, standing-height, double-sided Communal Table has a laminate top with thermoplastic edge, laminate top with thermoplastic-backed plywood edge, or veneer top and edge. Available with cutouts to accommodate Herman Miller power options that are ordered separately.

**Dimensions**



**Specification Information**

**Step 1.**

**HZ470**

**Step 2. Edge**

**S.** squared-edge

**Step 3. Height**

**36** 36" high (counter height)

**42** 42" high (bar height)

**Step 4. Depth**

**30** 30" deep

**42** 42" deep

**Step 5. Width**

**180** 180" wide

**216** 216" wide

**Step 6. Surface Material**

- L** high-pressure laminate top/thermoplastic edge
- U** high-pressure laminate/universal edge
- W** veneer top/veneer edge A
- A** high-pressure laminate top/thermoplastic edge with MicrobeCare™ A
- C** high-pressure laminate top/universal edge with MicrobeCare™ A

**Prices for Steps 1-6.**

		180L	180U	180W	180A	180C	216L
<b>HZ470S.</b>	<b>36 30</b>	\$12566	12566	16334	12874	12874	13389
	<b>42</b>	\$13116	13116	17048	13425	13425	13940
	<b>42 30</b>	\$11273	11273	14654	11582	11582	12097
	<b>42</b>	\$11822	11822	15365	12130	12130	12646
			<b>216U</b>	<b>216W</b>	<b>216A</b>	<b>216C</b>	
<b>HZ470S.</b>	<b>36 30</b>		\$13389	17407	13698	13698	
	<b>42</b>		\$13940	18119	14246	14246	
	<b>42 30</b>		\$12097	15724	12406	12406	
	<b>42</b>		\$12646	16438	12956	12956	

# OE1 Three-Piece Standing Communal Table, Double Sided

continued

## Step 7. Power Access Cutout

### For 30" deep (30) with 180" wide (180)

<b>NC</b>	no cutout	+\$0
<b>C1</b>	three center cutouts for logic mini (rectangle) - Y1415 and Y1412.1	+\$195
<b>C2</b>	three center cutouts for logic mini (square) - Y1415 and Y1412.2	+\$195

### For 42" deep (42) with 180" wide (180)

<b>NC</b>	no cutout	+\$0
<b>C1</b>	three center cutouts for logic mini (rectangle) - Y1415 and Y1412.1	+\$195
<b>C2</b>	three center cutouts for logic mini (square) - Y1415 and Y1412.2	+\$195
<b>L3</b>	three center cutout for logic Y1425 3 port (1 centered cutout in each surface)	+\$195
<b>L5</b>	three center cutout for logic Y1425 5 port (1 centered cutout in each surface)	+\$195
<b>L6</b>	three center cutout for logic Y1425 6 port (1 centered cutout in each surface)	+\$195
<b>TB</b>	three center cutout for technology bucket (1 centered cutout in each surface)	+\$570
<b>LS</b>	three cutouts for left logic Y1425 5 port, center technology bucket, right logic Y1425 5 port	+\$320

### For 30" deep (30) with 216" wide (216)

<b>NC</b>	no cutout	+\$0
<b>C3</b>	six cutouts for logic mini (rectangle) - Y1415 and Y1412.1 (2 cutouts in each surface)	+\$390
<b>C4</b>	six cutouts for logic mini (square) - Y1415 and Y1412.1 (2 cutouts in each surface)	+\$390

### For 42" deep (42) with 216" wide (216)

<b>NC</b>	no cutout	+\$0
<b>C3</b>	six cutouts for logic mini (rectangle) - Y1415 and Y1412.1 (2 cutouts in each surface)	+\$390
<b>C4</b>	six cutouts for logic mini (square) - Y1415 and Y1412.1 (2 cutouts in each surface)	+\$390
<b>L3</b>	three center cutout for logic Y1425 3 port (1 centered cutout in each surface)	+\$195
<b>L5</b>	three center cutout for logic Y1425 5 port (1 centered cutout in each surface)	+\$195
<b>L6</b>	three center cutout for logic Y1425 6 port (1 centered cutout in each surface)	+\$195
<b>TB</b>	three center cutout for technology bucket (1 centered cutout in each surface)	+\$570
<b>LT</b>	three cutouts for left logic Y1425 6 port, center technology bucket, right logic Y1425 6 port	+\$320

OE1 Communal Tables

# OE1 Three-Piece Standing Communal Table, Double Sided

continued

OE1 Communal Tables

## Step 8.

### Top Finish

For high-pressure laminate top/thermoplastic edge (L), high-pressure laminate/universal edge (U), high-pressure laminate top/thermoplastic edge with MicrobeCare™ (A), or high-pressure laminate top/universal edge with MicrobeCare™ (C)

<b>125</b>	natural maple (CP) <input type="checkbox"/>	+\$0
<b>126</b>	natural cherry (CP) <input type="checkbox"/>	+\$0
<b>127</b>	walnut (CP) <input type="checkbox"/>	+\$0
<b>139</b>	light ash (CP) <input type="checkbox"/>	+\$0
<b>140</b>	warm ash (CP) <input type="checkbox"/>	+\$0
<b>76</b>	light brown walnut	+\$0
<b>8Q</b>	folkstone grey (CP)	+\$0
<b>91</b>	white (CP)	+\$0
<b>98</b>	studio white (CP)	+\$0
<b>CL</b>	cool grey neutral	+\$0
<b>HF</b>	inner tone light	+\$0
<b>HP</b>	light anigre	+\$0
<b>LBA</b>	clear on ash (CP)	+\$0
<b>LBB</b>	oak on ash (CP)	+\$0
<b>LBC</b>	walnut on ash (CP)	+\$0
<b>LBF</b>	neutral twill	+\$0
<b>LBJ</b>	graphite twill	+\$0
<b>LBQ</b>	white twill	+\$0
<b>LBR</b>	phantom ecru <input type="checkbox"/>	+\$0
<b>LBS</b>	phantom cocoa <input type="checkbox"/>	+\$0
<b>LBU</b>	medium matte walnut (CP) <input type="checkbox"/>	+\$0
<b>LBV</b>	warm grey teak <input type="checkbox"/>	+\$0
<b>LT</b>	light tone	+\$0
<b>LU</b>	soft white	+\$0
<b>WL</b>	warm stone (CP)	+\$0
<b>WN</b>	warm grey neutral	+\$0

### Top/Edge Finish

For veneer top/veneer edge (W)

<b>2U</b>	light brown walnut <input type="checkbox"/>	+\$200
<b>40</b>	dark brown walnut <input type="checkbox"/>	+\$200
<b>CHD</b>	noble cherry	+\$200
<b>ET</b>	clear on ash <input type="checkbox"/>	+\$0
<b>EU</b>	oak on ash <input type="checkbox"/>	+\$0
<b>EV</b>	walnut on ash <input type="checkbox"/>	+\$0
<b>EW</b>	medium matte walnut <input type="checkbox"/>	+\$200
<b>OK</b>	white oak (nonstandard) <input type="checkbox"/>	+\$200
<b>UL</b>	natural maple <input type="checkbox"/>	+\$0
<b>WHN</b>	natural white oak	+\$200

## Step 9. Edge Finish

For high-pressure laminate top/thermoplastic edge (L) or high-pressure laminate top/thermoplastic edge with MicrobeCare™ (A)

<b>125</b>	natural maple (CP)	+\$0
<b>126</b>	natural cherry (CP)	+\$0
<b>127</b>	walnut (CP)	+\$0
<b>139</b>	light ash (CP)	+\$0
<b>140</b>	warm ash (CP)	+\$0
<b>76</b>	light brown walnut	+\$0
<b>8Q</b>	folkstone grey (CP)	+\$0
<b>91</b>	white (CP)	+\$0
<b>98</b>	studio white (CP)	+\$0
<b>CL</b>	cool grey neutral	+\$0
<b>G1</b>	graphite (CP)	+\$0
<b>HF</b>	inner tone light	+\$0
<b>HP</b>	light anigre	+\$0
<b>LBA</b>	clear on ash (CP)	+\$0
<b>LBB</b>	oak on ash (CP)	+\$0
<b>LBC</b>	walnut on ash (CP)	+\$0
<b>LBF</b>	neutral twill	+\$0
<b>LBJ</b>	graphite twill	+\$0
<b>LBQ</b>	white twill	+\$0
<b>LBR</b>	phantom ecru	+\$0
<b>LBS</b>	phantom cocoa	+\$0
<b>LBU</b>	medium matte walnut (CP)	+\$0
<b>LBV</b>	warm grey teak	+\$0
<b>LU</b>	soft white	+\$0
<b>WL</b>	warm stone (CP)	+\$0

For high-pressure laminate/universal edge (U) or high-pressure laminate top/universal edge with MicrobeCare™ (C)

<b>PLY</b>	plywood edge	+\$50
------------	--------------	-------

## Step 10. Base Finish

### Metallic Paint

<b>611</b>	beige mist metallic (CP)	+\$0
<b>613</b>	silver (CP)	+\$0
<b>SNA</b>	satin aluminum	+\$260
<b>SNB</b>	satin bronze	+\$260
<b>SNC</b>	satin carbon	+\$260

# OE1 Three-Piece Standing Communal Table, Double Sided

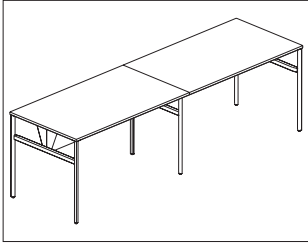
*continued*

---

Sand Texture Paint		
<b>UBK</b>	ultra black (CP)	+\$0
<b>8Q</b>	folkstone grey (CP)	+\$0
<b>91</b>	white (CP)	+\$0
<b>98</b>	studio white (CP)	+\$0
<b>BK</b>	black	+\$0
<b>G1</b>	graphite (CP)	+\$0
<b>WL</b>	warm stone (CP)	+\$0
<b>DB3</b>	glacier	+\$250
<b>DN2</b>	nightfall	+\$250
<b>DR1</b>	canyon	+\$250
<b>OLF</b>	olive	+\$250

OE1 Two-Piece Standing  
Communal Table, Double Sided

HZ460S



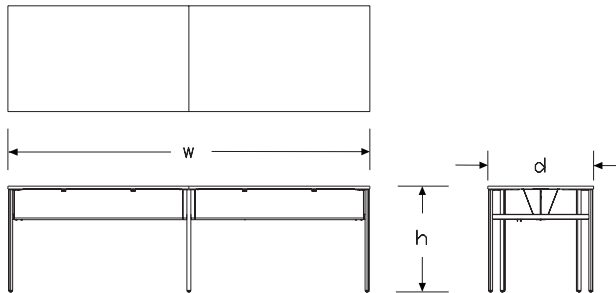
OE1 Communal Tables

**Product Information**

**Description**

This OE1 Workspace Collection™ standing-height, double-sided Communal Table has a laminate top with thermoplastic edge, laminate top with thermoplastic-backed plywood edge, or veneer top and edge. Available with cutouts to accommodate Herman Miller power options that are ordered separately.

**Dimensions**



**Specification Information**

**Step 1.**

**HZ460**

**Step 2. Edge**

**S.** squared-edge

**Step 3. Height**

**36** 36" high (counter height)

**42** 42" high (bar height)

**Step 4. Depth**

**30** 30" deep

**42** 42" deep

**Step 5. Width**

**120** 120" wide

**144** 144" wide

**192** 192" wide

**Step 6. Surface Material**

**L** high-pressure laminate top/thermoplastic edge

**U** high-pressure laminate/universal edge

**W** veneer top/veneer edge **A**

**A** high-pressure laminate top/thermoplastic edge with MicrobeCare™ **A**

**C** high-pressure laminate top/universal edge with MicrobeCare™ **A**

**Prices for Steps 1-6.**

		120L	120U	120W	120A	120C	144L
<b>HZ460S.</b>	<b>36 30</b>	\$9064	9064	11783	9271	9271	9201
	<b>42</b>	\$9613	9613	12497	9820	9820	9752
	<b>42 30</b>	\$8101	8101	10533	8308	8308	8237
	<b>42</b>	\$8650	8650	11245	8856	8856	8786

		144U	144W	144A	144C	192L	192U
<b>HZ460S.</b>	<b>36 30</b>	\$9201	11962	9408	9408	9752	9752
	<b>42</b>	\$9752	12675	9957	9957	10300	10300
	<b>42 30</b>	\$8237	10709	8445	8445	8786	8786
	<b>42</b>	\$8786	11424	8994	8994	9336	9336

			192W	192A	192C
<b>HZ460S.</b>	<b>36 30</b>		\$12675	9984	9984
	<b>42</b>		\$13389	10535	10535
	<b>42 30</b>		\$11424	9021	9021
	<b>42</b>		\$12137	9570	9570



# OE1 Two-Piece Standing Communal Table, Double Sided

continued

## Step 7. Power Access Cutout

### For 30" deep (30) with 120" wide (120)

<b>NC</b>	no cutout	+\$0
<b>C5</b>	two cutouts for logic mini (rectangle) - Y1415 and Y1412.1 (1 centered cutout in each surface)	+\$130
<b>C6</b>	two cutouts for logic mini (square) - Y1415 and Y1412.1 (1 centered cutout in each surface)	+\$130

### For 42" deep (42) with 120" wide (120)

<b>NC</b>	no cutout	+\$0
<b>C5</b>	two cutouts for logic mini (rectangle) - Y1415 and Y1412.1 (1 centered cutout in each surface)	+\$130
<b>C6</b>	two cutouts for logic mini (square) - Y1415 and Y1412.1 (1 centered cutout in each surface)	+\$130
<b>L3</b>	two cutouts for logic Y1425 3 port (1 centered cutout in each surface)	+\$130
<b>L5</b>	two cutouts for logic Y1425 5 port (1 centered cutout in each surface)	+\$130
<b>L6</b>	two cutouts for logic Y1425 6 port (1 centered cutout in each surface)	+\$130
<b>TB</b>	two cutouts for technology bucket (1 centered cutout in each surface)	+\$380

### For 30" deep (30) with 144" wide (144), or 192" wide (192)

<b>NC</b>	no cutout	+\$0
<b>C7</b>	four cutouts for logic mini (rectangle) - Y1415 and Y1412.1 (2 cutouts in each surface)	+\$260
<b>C8</b>	four cutouts for logic mini (square) - Y1415 and Y1412.2 (2 cutouts in each surface)	+\$260

### For 42" deep (42) with 144" wide (144), or 192" wide (192)

<b>NC</b>	no cutout	+\$0
<b>C7</b>	four cutouts for logic mini (rectangle) - Y1415 and Y1412.1 (2 cutouts in each surface)	+\$260
<b>C8</b>	four cutouts for logic mini (square) - Y1415 and Y1412.2 (2 cutouts in each surface)	+\$260
<b>L3</b>	two cutouts for logic Y1425 3 port (1 centered cutout in each surface)	+\$130
<b>L5</b>	two cutouts for logic Y1425 5 port (1 centered cutout in each surface)	+\$130
<b>L6</b>	two cutouts for logic Y1425 6 port (1 centered cutout in each surface)	+\$130
<b>TB</b>	two cutouts for technology bucket (1 centered cutout in each surface)	+\$380

## Step 8.

### Top Finish

For high-pressure laminate top/thermoplastic edge (L), high-pressure laminate/universal edge (U), high-pressure laminate top/thermoplastic edge with MicrobeCare™ (A), or high-pressure laminate top/universal edge with MicrobeCare™ (C)

<b>125</b>	natural maple (CP) <input type="checkbox"/> A	+\$0
<b>126</b>	natural cherry (CP) <input type="checkbox"/> A	+\$0
<b>127</b>	walnut (CP) <input type="checkbox"/> A	+\$0
<b>139</b>	light ash (CP) <input type="checkbox"/> A	+\$0
<b>140</b>	warm ash (CP) <input type="checkbox"/> A	+\$0
<b>76</b>	light brown walnut	+\$0
<b>8Q</b>	folkstone grey (CP)	+\$0
<b>91</b>	white (CP)	+\$0
<b>98</b>	studio white (CP)	+\$0
<b>CL</b>	cool grey neutral	+\$0
<b>HF</b>	inner tone light	+\$0
<b>HP</b>	light anigre	+\$0
<b>LBA</b>	clear on ash (CP)	+\$0
<b>LBB</b>	oak on ash (CP)	+\$0
<b>LBC</b>	walnut on ash (CP)	+\$0
<b>LBF</b>	neutral twill	+\$0
<b>LBJ</b>	graphite twill	+\$0
<b>LBQ</b>	white twill	+\$0
<b>LBR</b>	phantom ecru <input type="checkbox"/> A	+\$0
<b>LBS</b>	phantom cocoa <input type="checkbox"/> A	+\$0
<b>LBU</b>	medium matte walnut (CP) <input type="checkbox"/> A	+\$0
<b>LBV</b>	warm grey teak <input type="checkbox"/> A	+\$0
<b>LT</b>	light tone	+\$0
<b>LU</b>	soft white	+\$0
<b>WL</b>	warm stone (CP)	+\$0
<b>WN</b>	warm grey neutral	+\$0

### Top/Edge Finish

#### For veneer top/veneer edge (W)

<b>2U</b>	light brown walnut <input type="checkbox"/> A	+\$200
<b>40</b>	dark brown walnut <input type="checkbox"/> A	+\$200
<b>CHD</b>	noble cherry	+\$200
<b>ET</b>	clear on ash <input type="checkbox"/> A	+\$0
<b>EU</b>	oak on ash <input type="checkbox"/> A	+\$0
<b>EV</b>	walnut on ash <input type="checkbox"/> A	+\$0
<b>EW</b>	medium matte walnut <input type="checkbox"/> A	+\$200
<b>OK</b>	white oak (nonstandard) <input type="checkbox"/> A	+\$200
<b>UL</b>	natural maple <input type="checkbox"/> A	+\$0
<b>WHN</b>	natural white oak	+\$200

# OE1 Two-Piece Standing Communal Table, Double Sided

continued

OE1 Communal Tables

## Step 9. Edge Finish

*For high-pressure laminate top/thermoplastic edge (L) or high-pressure laminate top/thermoplastic edge with MicrobeCare™ (A)*

<b>125</b>	natural maple (CP)	+\$0
<b>126</b>	natural cherry (CP)	+\$0
<b>127</b>	walnut (CP)	+\$0
<b>139</b>	light ash (CP)	+\$0
<b>140</b>	warm ash (CP)	+\$0
<b>76</b>	light brown walnut	+\$0
<b>8Q</b>	folkstone grey (CP)	+\$0
<b>91</b>	white (CP)	+\$0
<b>98</b>	studio white (CP)	+\$0
<b>CL</b>	cool grey neutral	+\$0
<b>G1</b>	graphite (CP)	+\$0
<b>HF</b>	inner tone light	+\$0
<b>HP</b>	light anigre	+\$0
<b>LBA</b>	clear on ash (CP)	+\$0
<b>LBB</b>	oak on ash (CP)	+\$0
<b>LBC</b>	walnut on ash (CP)	+\$0
<b>LBF</b>	neutral twill	+\$0
<b>LBJ</b>	graphite twill	+\$0
<b>LBQ</b>	white twill	+\$0
<b>LBR</b>	phantom ecru	+\$0
<b>LBS</b>	phantom cocoa	+\$0
<b>LBU</b>	medium matte walnut (CP)	+\$0
<b>LBV</b>	warm grey teak	+\$0
<b>LU</b>	soft white	+\$0
<b>WL</b>	warm stone (CP)	+\$0

*For high-pressure laminate/universal edge (U) or high-pressure laminate top/universal edge with MicrobeCare™ (C)*

<b>PLY</b>	plywood edge	+\$50
------------	--------------	-------

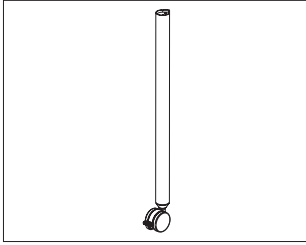
## Step 10. Base Finish

### Metallic Paint

<b>611</b>	beige mist metallic (CP)	+\$0
<b>613</b>	silver (CP)	+\$0
<b>SNA</b>	satin aluminum	+\$185
<b>SNB</b>	satin bronze	+\$185
<b>SNC</b>	satin carbon	+\$185

### Sand Texture Paint

<b>UBK</b>	ultra black (CP)	+\$0
<b>8Q</b>	folkstone grey (CP)	+\$0
<b>91</b>	white (CP)	+\$0
<b>98</b>	studio white (CP)	+\$0
<b>BK</b>	black	+\$0
<b>G1</b>	graphite (CP)	+\$0
<b>WL</b>	warm stone (CP)	+\$0
<b>DB3</b>	glacier	+\$175
<b>DN2</b>	nightfall	+\$175
<b>DR1</b>	canyon	+\$175
<b>OLF</b>	olive	+\$175

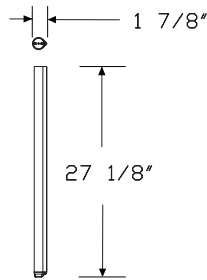


**Product Information**

**Description**

This single leg supports 1 corner of a surface. It can be specified with a glide or locking caster. Attachment hardware included. Package contains 1 leg.

**Dimensions**



**Specification Information**

**Step 1.**

**HZ500.** \$211

**Step 2. Leg Finish**

**Metallic Paint**

<b>611</b>	beige mist metallic (CP)	+\$0
<b>613</b>	silver (CP)	+\$0
<b>SNA</b>	satin aluminum	+\$35
<b>SNB</b>	satin bronze	+\$35
<b>SNC</b>	satin carbon	+\$35

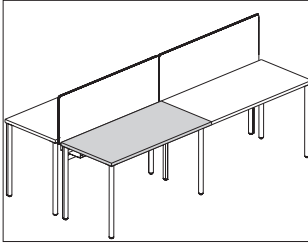
**Sand Texture Paint**

<b>UBK</b>	ultra black (CP)	+\$0
<b>8Q</b>	folkstone grey (CP)	+\$0
<b>91</b>	white (CP)	+\$0
<b>98</b>	studio white (CP)	+\$0
<b>BK</b>	black	+\$0
<b>G1</b>	graphite (CP)	+\$0
<b>WL</b>	warm stone (CP)	+\$0
<b>DB3</b>	glacier	+\$30
<b>DN2</b>	nightfall	+\$30
<b>DR1</b>	canyon	+\$30
<b>OLF</b>	olive	+\$30

**Step 3. Base Type**

<b>C</b>	casters	+\$0
<b>G</b>	glides	+\$0

OE1 Fixed Height Tables



**Product Information**

**Description**

This surface attaches to OE1 Workspace Collection™ Teardrop Legs to create a freestanding rectangular table or can be ganged together to create a bench. It has a laminate top with thermoplastic edge, laminate top with thermoplastic-backed plywood edge, or veneer top and edge. Laminate and veneer surfaces are 1 1/4" thick.

**Notes**

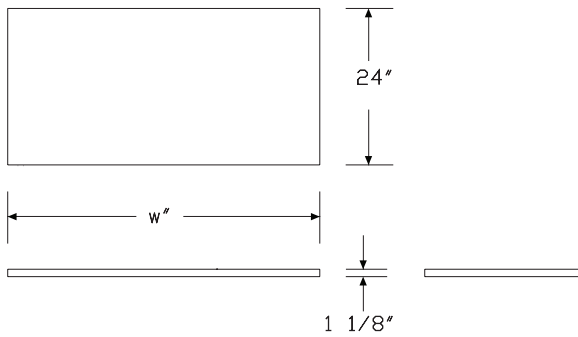
MicrobeCare™ is an antimicrobial coating applied to the laminate or veneer surface of this product.

MicrobeCare protects products from mold, mildew, algae, and bacteria that cause deterioration, discoloration, odors, and stains.

MicrobeCare is registered with the US Environmental Protection Agency (EPA).

Stiffener (HZ510.) is required for any laminate or veneer surface 54" wide or wider. See the OE1 planning guide for specific stiffener guidelines. Stiffener is ordered separately.

**Dimensions**



**Specification Information**

**Step 1.**

**HZ505**

**Step 2. Edge**

**S.** squared-edge

**Step 3. Depth**

**18** 18" deep

**24** 24" deep

**30** 30" deep

**Step 4. Width**

*For 18" deep (18)*

**48** 48" wide

**60** 60" wide

**72** 72" wide

*For 24" deep (24) or 30" deep (30)*

**36** 36" wide

**42** 42" wide

**48** 48" wide

**54** 54" wide

**60** 60" wide

**66** 66" wide

**72** 72" wide

**Step 5. Surface Material**

**L** high-pressure laminate top/thermoplastic edge

**U** high-pressure laminate/universal edge

**W** veneer top/veneer edge  **A**

**A** high-pressure laminate top/thermoplastic edge with MicrobeCare™  **A**

**C** high-pressure laminate top/universal edge with MicrobeCare™  **A**

**Prices for Steps 1-5.**

	<b>L</b>	<b>U</b>	<b>W</b>	<b>A</b>	<b>C</b>
<b>HZ505S. 18 48</b>	\$347	347	603	450	450
<b>60</b>	\$460	460	803	564	564
<b>72</b>	\$566	566	987	670	670

# OE1 Worksurface, Rectangle

continued

<b>24 36</b>	\$347	347	603	436	436
<b>42</b>	\$406	406	706	496	496
<b>48</b>	\$462	462	810	565	565
<b>54</b>	\$542	542	947	646	646
<b>60</b>	\$626	626	1090	728	728
<b>66</b>	\$728	728	1268	831	831
<b>72</b>	\$839	839	1468	942	942
<b>30 36</b>	\$392	392	683	482	482
<b>42</b>	\$452	452	792	541	541
<b>48</b>	\$519	519	909	622	622
<b>54</b>	\$600	600	1045	702	702
<b>60</b>	\$685	685	1199	789	789
<b>66</b>	\$791	791	1384	894	894
<b>72</b>	\$905	905	1582	1007	1007

## Step 6. Power Access Cutout

For 18" deep (18)

<b>NC</b>	no cutout	+\$0
-----------	-----------	------

For 24" deep (24) or 30" deep (30) with 36" wide (36)

<b>NC</b>	no cutout	+\$0
-----------	-----------	------

For 24" deep (24) or 30" deep (30) with 42" wide (42), 48" wide (48), 54" wide (54), or 60" wide (60), or 66" wide (66), or 72" wide (72)

<b>NC</b>	no cutout	+\$0
<b>RC</b>	right cutout for Logic Mini - Y1414 and Y1412.1	+\$65
<b>LC</b>	left cutout for Logic Mini - Y1414 and Y1412.1	+\$65
<b>CC</b>	center cutout for Logic Mini - Y1414 and Y1412.1	+\$65

## Step 7.

### Top Finish

For high-pressure laminate top/thermoplastic edge (L), high-pressure laminate/universal edge (U), high-pressure laminate top/thermoplastic edge with MicrobeCare™ (A), or high-pressure laminate top/universal edge with MicrobeCare™ (C)

<b>125</b>	natural maple (CP) <input type="checkbox"/>	+\$0
<b>126</b>	natural cherry (CP) <input type="checkbox"/>	+\$0
<b>127</b>	walnut (CP) <input type="checkbox"/>	+\$0
<b>139</b>	light ash (CP) <input type="checkbox"/>	+\$0
<b>140</b>	warm ash (CP) <input type="checkbox"/>	+\$0
<b>76</b>	light brown walnut	+\$0
<b>8Q</b>	folkstone grey (CP)	+\$0
<b>91</b>	white (CP)	+\$0
<b>98</b>	studio white (CP)	+\$0
<b>CL</b>	cool grey neutral	+\$0
<b>HF</b>	inner tone light	+\$0
<b>HP</b>	light anigre	+\$0
<b>LBA</b>	clear on ash (CP)	+\$0
<b>LBB</b>	oak on ash (CP)	+\$0
<b>LBC</b>	walnut on ash (CP)	+\$0
<b>LBF</b>	neutral twill	+\$0
<b>LBJ</b>	graphite twill	+\$0
<b>LBQ</b>	white twill	+\$0
<b>LBR</b>	phantom ecru <input type="checkbox"/>	+\$0
<b>LBS</b>	phantom cocoa <input type="checkbox"/>	+\$0
<b>LBU</b>	medium matte walnut (CP) <input type="checkbox"/>	+\$0
<b>LBV</b>	warm grey teak <input type="checkbox"/>	+\$0
<b>LT</b>	light tone	+\$0
<b>LU</b>	soft white	+\$0
<b>WL</b>	warm stone (CP)	+\$0
<b>WN</b>	warm grey neutral	+\$0

### Top/Edge Finish

For veneer top/veneer edge (W)

<b>2U</b>	light brown walnut <input type="checkbox"/>	+\$85
<b>40</b>	dark brown walnut <input type="checkbox"/>	+\$85
<b>CHD</b>	noble cherry	+\$85
<b>ET</b>	clear on ash <input type="checkbox"/>	+\$85
<b>EU</b>	oak on ash <input type="checkbox"/>	+\$85
<b>EV</b>	walnut on ash <input type="checkbox"/>	+\$85
<b>EW</b>	medium matte walnut <input type="checkbox"/>	+\$85
<b>OK</b>	white oak (nonstandard) <input type="checkbox"/>	+\$85
<b>OU</b>	walnut	+\$85
<b>UL</b>	natural maple <input type="checkbox"/>	+\$85
<b>WHN</b>	natural white oak	+\$85

OE1 Fixed Height Tables

# OE1 Worksurface, Rectangle

continued

## Step 8. Edge Finish

*For high-pressure laminate top/thermoplastic edge (L) or high-pressure laminate top/thermoplastic edge with MicrobeCare™ (A)*

OE1 Fixed Height Tables

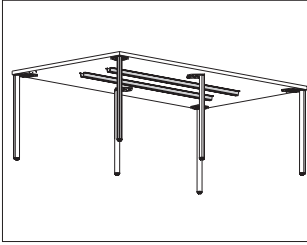
<b>125</b>	natural maple (CP)	+\$0
<b>126</b>	natural cherry (CP)	+\$0
<b>127</b>	walnut (CP)	+\$0
<b>139</b>	light ash (CP)	+\$0
<b>140</b>	warm ash (CP)	+\$0
<b>76</b>	light brown walnut	+\$0
<b>8Q</b>	folkstone grey (CP)	+\$0
<b>91</b>	white (CP)	+\$0
<b>98</b>	studio white (CP)	+\$0
<b>CL</b>	cool grey neutral	+\$0
<b>G1</b>	graphite (CP)	+\$0
<b>HF</b>	inner tone light	+\$0
<b>HP</b>	light anigre	+\$0
<b>LBA</b>	clear on ash (CP)	+\$0
<b>LBB</b>	oak on ash (CP)	+\$0
<b>LBC</b>	walnut on ash (CP)	+\$0
<b>LBF</b>	neutral twill	+\$0
<b>LBJ</b>	graphite twill	+\$0
<b>LBQ</b>	white twill	+\$0
<b>LBR</b>	phantom ecru	+\$0
<b>LBS</b>	phantom cocoa	+\$0
<b>LBU</b>	medium matte walnut (CP)	+\$0
<b>LBV</b>	warm grey teak	+\$0
<b>LU</b>	soft white	+\$0
<b>WL</b>	warm stone (CP)	+\$0

*For high-pressure laminate/universal edge (U) or high-pressure laminate top/universal edge with MicrobeCare™ (C)*

<b>PLY</b>	plywood edge	+\$50
------------	--------------	-------

OE1 Stiffener

HZ510.



**Product Information**

**Description**

This stiffener adds additional stiffness to an OE1 Workspace Collection™ freestanding surface. Attachment hardware included.

**Notes**

Stiffener hangs below the surface and is 1 1/4" high.

Stiffener is not used on surfaces less than 54" wide.

Common stiffener applications include the following. See OE1 planning guide for more applications.

Stiffener Width—Leg Placement—Surface Width

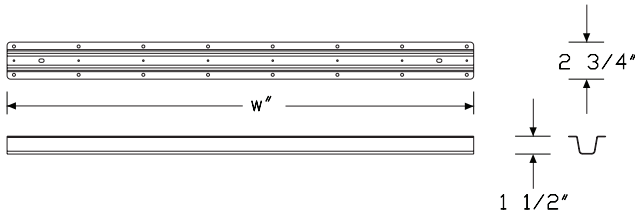
39—2 legs outbound—54"

43—2 legs outbound—60"

48—2 legs outbound—66"

57—2 legs outbound—72"

**Dimensions**



**Specification Information**

**Step 1.**

**HZ510.**

**Step 2. Width**

<b>39</b>	38 <sup>5</sup> / <sub>8</sub> " wide
<b>43</b>	43 <sup>1</sup> / <sub>4</sub> " wide
<b>48</b>	48" wide
<b>57</b>	57 <sup>3</sup> / <sub>8</sub> " wide
<b>67</b>	66 <sup>3</sup> / <sub>4</sub> " wide
<b>81</b>	80 <sup>7</sup> / <sub>8</sub> " wide

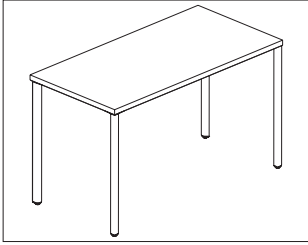
**Prices for Steps 1-2.**

<b>HZ510. 39</b>	\$94
<b>43</b>	\$94
<b>48</b>	\$94
<b>57</b>	\$94
<b>67</b>	\$94
<b>81</b>	\$94

OE1 Fixed Height Tables

# OE1 Rectangular Table

HZ515S



OE1 Fixed Height Tables

### Product Information

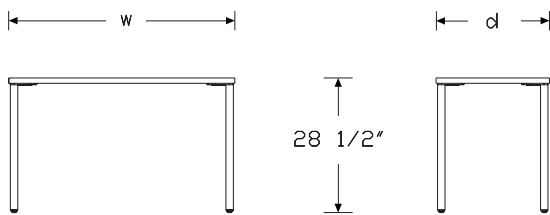
#### Description

This rectangular table comes with 4 teardrop-shaped post legs. It has a laminate top with thermoplastic edge, laminate top with thermoplastic-backed plywood edge, or veneer top and edge. All casters are locking casters. Glides have 1½" leveling range. Shipped knocked down.

#### Notes

- Surface thickness is 1¼".
- Reinforcement channels are used under table tops 54" wide and wider. Channel will be located along center line for 18"- and 24"-deep surfaces, and 19" from front edge for 30"-deep surfaces.
- Reinforcement channel included.
- Caster option has all locking casters.
- Legs can be installed with angled edge out or with rounded edge out.
- Choice is made at time of installation.
- Order Logic Mini power units (Y1414., Y1412.) separately.
- MicrobeCare™ is an antimicrobial coating applied to the laminate or veneer surface of this product.
- MicrobeCare™ protects products from mold, mildew, algae, and bacteria that cause deterioration, discoloration, odors, and stains.
- MicrobeCare™ is registered with the US Environmental Protection Agency (EPA).

#### Dimensions



### Specification Information

#### Step 1.

**HZ515**

#### Step 2. Edge

**S.** squared-edge

#### Step 3. Depth

**18** 18" deep  
**24** 24" deep  
**30** 30" deep

#### Step 4. Width

##### For 18" deep (18)

**48** 48" wide  
**60** 60" wide  
**72** 72" wide

##### For 24" deep (24) or 30" deep (30)

**36** 36" wide  
**42** 42" wide  
**48** 48" wide  
**54** 54" wide  
**60** 60" wide  
**66** 66" wide  
**72** 72" wide

#### Step 5. Surface Material

- L** high-pressure laminate top/thermoplastic edge
- U** high-pressure laminate/universal edge
- W** veneer top/veneer edge
- A** high-pressure laminate top/thermoplastic edge with MicrobeCare™
- C** high-pressure laminate top/universal edge with MicrobeCare™

#### Prices for Steps 1-5.

	L	U	W	A	C
<b>HZ515S. 18 48</b>	\$1132	1132	1375	1234	1234
<b>60</b>	\$1241	1241	1522	1342	1342
<b>72</b>	\$1340	1340	1653	1444	1444



OE1 Rectangular Table *continued*

<b>24 36</b>	\$1132	1132	1375	1220	1220
<b>42</b>	\$1189	1189	1450	1278	1278
<b>48</b>	\$1242	1242	1526	1345	1345
<b>54</b>	\$1318	1318	1620	1421	1421
<b>60</b>	\$1396	1396	1723	1500	1500
<b>66</b>	\$1495	1495	1852	1598	1598
<b>72</b>	\$1602	1602	1985	1705	1705
<b>30 36</b>	\$1175	1175	1436	1263	1263
<b>42</b>	\$1232	1232	1508	1320	1320
<b>48</b>	\$1296	1296	1591	1399	1399
<b>54</b>	\$1370	1370	1688	1475	1475
<b>60</b>	\$1454	1454	1796	1557	1557
<b>66</b>	\$1555	1555	1928	1658	1658
<b>72</b>	\$1663	1663	2073	1766	1766

Step 6. Power Access Cutout

For 18" deep (18)

<b>NC</b> no cutout					+\$0
---------------------	--	--	--	--	------

For 24" deep (24) or 30" deep (30) with 36" wide (36)

<b>NC</b> no cutout					+\$0
---------------------	--	--	--	--	------

For 24" deep (24) or 30" deep (30) with 42" wide (42), 48" wide (48), 54" wide (54), or 60" wide (60), or 66" wide (66), or 72" wide (72)

<b>NC</b> no cutout					+\$0
<b>RC</b> right cutout for Logic Mini - Y1414 and Y1412.1					+\$55
<b>LC</b> left cutout for Logic Mini - Y1414 and Y1412.1					+\$55
<b>CC</b> center cutout for Logic Mini - Y1414 and Y1412.1					+\$55

Step 7.

Top Finish

For high-pressure laminate top/thermoplastic edge (L), high-pressure laminate/universal edge (U), high-pressure laminate top/thermoplastic edge with MicrobeCare™ (A), or high-pressure laminate top/universal edge with MicrobeCare™ (C)

<b>125</b> natural maple (CP) <input type="checkbox"/>					+\$0
<b>126</b> natural cherry (CP) <input type="checkbox"/>					+\$0
<b>127</b> walnut (CP) <input type="checkbox"/>					+\$0
<b>139</b> light ash (CP) <input type="checkbox"/>					+\$0
<b>140</b> warm ash (CP) <input type="checkbox"/>					+\$0
<b>76</b> light brown walnut					+\$0
<b>8Q</b> folkstone grey (CP)					+\$0
<b>91</b> white (CP)					+\$0
<b>98</b> studio white (CP)					+\$0
<b>CL</b> cool grey neutral					+\$0
<b>HF</b> inner tone light					+\$0
<b>HP</b> light anigre					+\$0
<b>LBA</b> clear on ash (CP)					+\$0
<b>LBB</b> oak on ash (CP)					+\$0
<b>LBC</b> walnut on ash (CP)					+\$0
<b>LBF</b> neutral twill					+\$0
<b>LBJ</b> graphite twill					+\$0
<b>LBQ</b> white twill					+\$0
<b>LBR</b> phantom ecru <input type="checkbox"/>					+\$0
<b>LBS</b> phantom cocoa <input type="checkbox"/>					+\$0
<b>LBU</b> medium matte walnut (CP) <input type="checkbox"/>					+\$0
<b>LBV</b> warm grey teak <input type="checkbox"/>					+\$0
<b>LT</b> light tone					+\$0
<b>LU</b> soft white					+\$0
<b>WL</b> warm stone (CP)					+\$0
<b>WN</b> warm grey neutral					+\$0

Top/Edge Finish

For veneer top/veneer edge (W)

<b>2U</b> light brown walnut <input type="checkbox"/>					+\$85
<b>40</b> dark brown walnut <input type="checkbox"/>					+\$85
<b>CHD</b> noble cherry <input type="checkbox"/>					+\$85
<b>ET</b> clear on ash <input type="checkbox"/>					+\$85
<b>EU</b> oak on ash <input type="checkbox"/>					+\$85
<b>EV</b> walnut on ash <input type="checkbox"/>					+\$85
<b>EW</b> medium matte walnut <input type="checkbox"/>					+\$85
<b>OK</b> white oak (nonstandard) <input type="checkbox"/>					+\$85
<b>OU</b> walnut <input type="checkbox"/>					+\$85
<b>UL</b> natural maple <input type="checkbox"/>					+\$85
<b>WHN</b> natural white oak <input type="checkbox"/>					+\$85

OE1 Fixed Height Tables

# OE1 Rectangular Table *continued*

OE1 Fixed Height Tables

## Step 8. Edge Finish

*For high-pressure laminate top/thermoplastic edge (L) or high-pressure laminate top/thermoplastic edge with MicrobeCare™ (A)*

<b>125</b>	natural maple (CP)	+\$0
<b>126</b>	natural cherry (CP)	+\$0
<b>127</b>	walnut (CP)	+\$0
<b>139</b>	light ash (CP)	+\$0
<b>140</b>	warm ash (CP)	+\$0
<b>76</b>	light brown walnut	+\$0
<b>8Q</b>	folkstone grey (CP)	+\$0
<b>91</b>	white (CP)	+\$0
<b>98</b>	studio white (CP)	+\$0
<b>CL</b>	cool grey neutral	+\$0
<b>G1</b>	graphite (CP)	+\$0
<b>HF</b>	inner tone light	+\$0
<b>HP</b>	light anigre	+\$0
<b>LBA</b>	clear on ash (CP)	+\$0
<b>LBB</b>	oak on ash (CP)	+\$0
<b>LBC</b>	walnut on ash (CP)	+\$0
<b>LBF</b>	neutral twill	+\$0
<b>LBJ</b>	graphite twill	+\$0
<b>LBQ</b>	white twill	+\$0
<b>LBR</b>	phantom ecru	+\$0
<b>LBS</b>	phantom cocoa	+\$0
<b>LBU</b>	medium matte walnut (CP)	+\$0
<b>LBV</b>	warm grey teak	+\$0
<b>LU</b>	soft white	+\$0
<b>WL</b>	warm stone (CP)	+\$0

*For high-pressure laminate/universal edge (U) or high-pressure laminate top/universal edge with MicrobeCare™ (C)*

<b>PLY</b>	plywood edge	+\$50
------------	--------------	-------

## Step 9. Leg Finish

### Metallic Paint

<b>611</b>	beige mist metallic (CP)	+\$0
<b>613</b>	silver (CP)	+\$0
<b>SNA</b>	satin aluminum	+\$30
<b>SNB</b>	satin bronze	+\$30
<b>SNC</b>	satin carbon	+\$30

## Sand Texture Paint

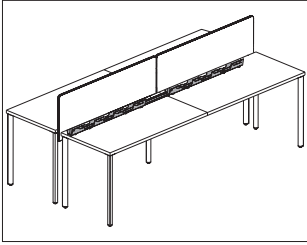
<b>UBK</b>	ultra black (CP)	+\$0
<b>8Q</b>	folkstone grey (CP)	+\$0
<b>91</b>	white (CP)	+\$0
<b>98</b>	studio white (CP)	+\$0
<b>BK</b>	black	+\$0
<b>G1</b>	graphite (CP)	+\$0
<b>WL</b>	warm stone (CP)	+\$0
<b>DB3</b>	glacier	+\$125
<b>DN2</b>	nightfall	+\$125
<b>DR1</b>	canyon	+\$125
<b>OLF</b>	olive	+\$125

## Step 10. Base Type

<b>C</b>	casters	+\$0
<b>G</b>	glides	+\$0

# OE1 Accessory Bridge

HZ520.



### Product Information

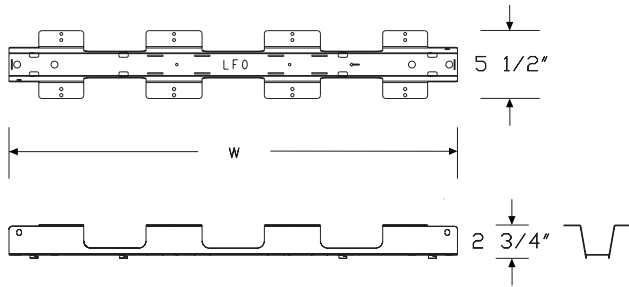
#### Description

This Accessory Bridge attaches OE1 Workspace Collection™ tables together to create a back-to-back bench. It has an optional wire management tray.

#### Notes

Accessory Bridge does not work for 36"-wide tables.  
 Specify no power and wire management (N) option for just ganging brackets to connect tables together.  
 Flat edge and Pari screens can be mounted to the Accessory Bridge.  
 See the planning guide for more information.

#### Dimensions



### Specification Information

#### Step 1.

**HZ520.**

#### Step 2. Width

- 1** For surfaces 42" wide or 48" wide
- 2** For surfaces 54" wide or 60" wide
- 3** For surfaces 66" wide or 72" wide

#### Step 3. Power & Wire Management

- N** no power and wire management
- P** for use with power and wire management

#### Prices for Steps 1-3.

	<b>N</b>	<b>P</b>
<b>HZ520. 1</b>	\$251	604
<b>2</b>	\$284	691
<b>3</b>	\$322	747

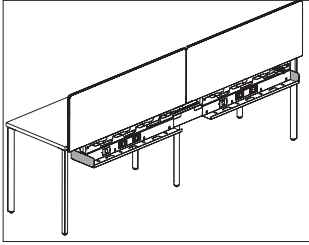
#### Step 4. Bracket Finish

- BK** black +\$0
- UBK** ultra black (CP) +\$0

OE1 Fixed Height Tables

OE1 End Caps for Accessory  
Bridge 2/Pkg

HZ525.

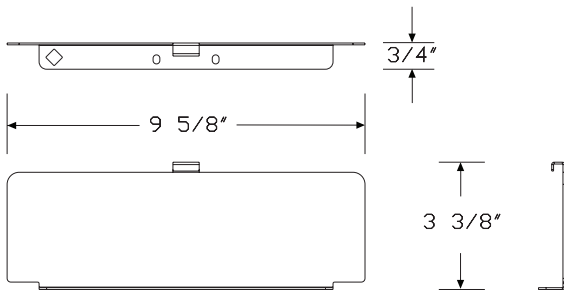


**Product Information**

Description

These end caps attach to the ends of the OE1 Workspace Collection™ Accessory Bridge. Package contains 2 end caps.

Dimensions



OE1 Fixed Height Tables

**Specification Information**

Step 1.

**HZ525.**

\$173

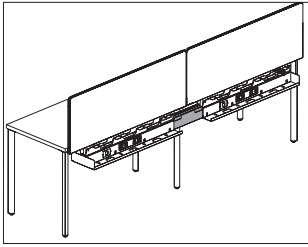
Step 2. Bracket Finish

**BK** black

+\$0

# OE1 Bridge Connector

HZ530.



### Product Information

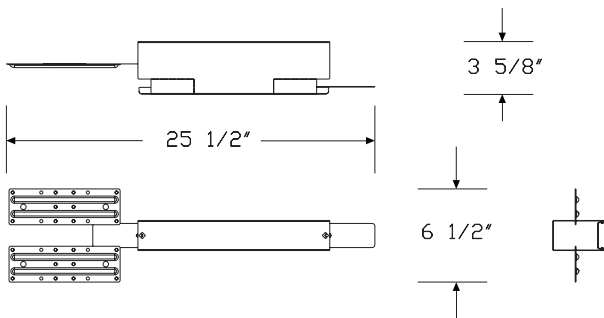
#### Description

This connector is intended to bridge the gap between adjacent table Accessory Bridge with power and wire management. Product is UL listed.

#### Notes

When using power on connected tables, the OE1 Workspace Collection™ Bridge Connector is required and must be ordered.

#### Dimensions



### Specification Information

#### Step 1.

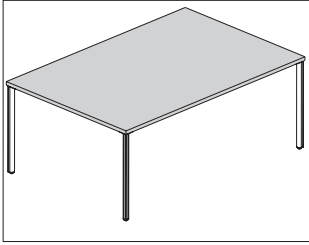
**HZ530.** \$177

#### Step 2. Finish

**BK** black +\$0

**UBK** ultra black (CP) +\$0

OE1 Worksurface, Project Table HZ550S



**Product Information**

**Description**

This surface attaches to OE1 Workspace Collection™ Teardrop Legs to create a project table. It has a laminate top with thermoplastic edge, laminate top with thermoplastic-backed plywood edge, or veneer top and edge. Laminate and veneer surfaces are 1 1/4" thick.

**Notes**

MicrobeCare™ is an antimicrobial coating applied to the laminate or veneer surface of this product.

MicrobeCare protects products from mold, mildew, algae, and bacteria that cause deterioration, discoloration, odors, and stains.

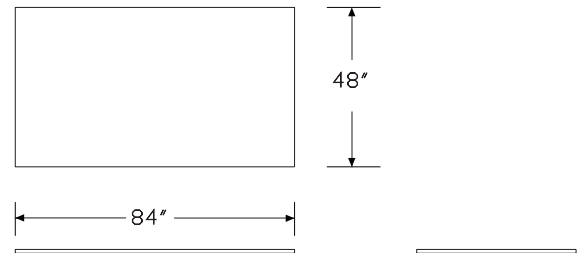
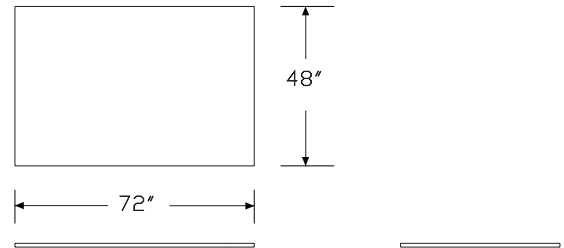
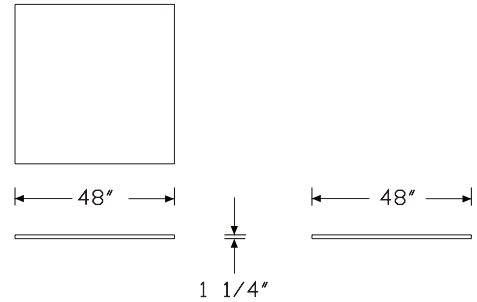
MicrobeCare is registered with the US Environmental Protection Agency (EPA).

Project tables 84" or 96" wide require an intermediate leg on each side, for a total of 6 legs.

All project tables require 2 stiffeners (HZ510.), ordered separately.

OE1 Fixed Height Tables

**Dimensions**



# OE1 Worksurface, Project Table

continued

## Specification Information

### Step 1.

**HZ550**

### Step 2. Edge

**S.** squared-edge

### Step 3. Depth

**42** 42" deep

**48** 48" deep

### Step 4. Width

**42** 42" wide

**48** 48" wide

**50** 49.75" wide

**51** 50.75" wide

**54** 54" wide

**60** 60" wide

**62** 61.75" wide

**63** 62.75" wide

**66** 66" wide

**72** 72" wide

**84** 84" wide

**96** 96" wide

### Step 5. Surface Material

**L** high-pressure laminate top/thermoplastic edge

**U** high-pressure laminate/universal edge

**W** veneer top/veneer edge

**A** high-pressure laminate top/thermoplastic edge with MicrobeCare™

**C** high-pressure laminate top/universal edge with MicrobeCare™

## Prices for Steps 1-5.

		L	U	W	A	C
<b>HZ550S.</b>	<b>42 42</b>	\$656	656	1146	747	747
	<b>48</b>	\$802	802	1399	904	904
	<b>50</b>	\$861	861	1500	962	962
	<b>51</b>	\$916	916	1602	1019	1019
	<b>54</b>	\$944	944	1651	1048	1048
	<b>60</b>	\$1089	1089	1905	1192	1192
	<b>62</b>	\$1146	1146	2005	1251	1251
	<b>63</b>	\$1204	1204	2105	1307	1307
	<b>66</b>	\$1233	1233	2156	1337	1337
	<b>72</b>	\$1378	1378	2409	1480	1480
	<b>84</b>	\$1522	1522	2661	1640	1640
	<b>96</b>	\$1614	1614	2821	1729	1729
	<b>48 42</b>	\$802	802	1399	904	904
	<b>48</b>	\$967	967	1686	1069	1069
	<b>50</b>	\$1029	1029	1796	1132	1132
	<b>51</b>	\$1091	1091	1908	1194	1194
	<b>54</b>	\$1125	1125	1962	1228	1228
	<b>60</b>	\$1283	1283	2242	1387	1387
	<b>62</b>	\$1346	1346	2352	1450	1450
	<b>63</b>	\$1410	1410	2463	1513	1513
	<b>66</b>	\$1441	1441	2518	1545	1545
	<b>72</b>	\$1601	1601	2796	1703	1703
	<b>84</b>	\$1758	1758	3073	1876	1876
	<b>96</b>	\$1857	1857	3250	1974	1974

### Step 6. Power Access Cutout

For 42" wide (42), 48" wide (48), 49.75" wide (50), 50.75" wide (51), 54" wide (54), 60" wide (60), 61.75" wide (62), or 62.75" wide (63)

<b>NC</b>	no cutout	+\$0
<b>C1</b>	one center cutout for Logic Mini (RECTANGLE) - Y1414 and Y1412.1	+\$65
<b>C2</b>	double center cutouts for logic mini (rectangle) - Y1414 AND Y1412.1	+\$130
<b>C3</b>	one center cutout for Logic Mini (SQUARE) - Y1414 and Y1412.2	+\$65
<b>L3</b>	one center cutout for logic Y1425 3 port	+\$65
<b>L5</b>	one center cutout for logic Y1425 5 port	+\$65
<b>L6</b>	one center cutout for logic Y1425 6 port	+\$65
<b>TB</b>	one center cutout for technology bucket	+\$190

OE1 Fixed Height Tables

# OE1 Worksurface, Project Table

continued

OE1 Fixed Height Tables

For 66" wide (66), 72" wide (72), 84" wide (84), or 96" wide (96)		
<b>NC</b>	no cutout	+\$0
<b>C4</b>	two cutouts for logic mini (rectangle) - Y1414 and Y1412.1	+\$130
<b>C5</b>	double center cutouts for logic mini (rectangle) - Y1414 AND Y1412.1	+\$130
<b>C6</b>	two cutouts for logic mini (square) - Y1414 and Y1412.2	+\$130
<b>L3</b>	two cutouts for logic Y1425 3 port	+\$130
<b>L5</b>	two cutouts for logic Y1425 5 port	+\$130
<b>L6</b>	two cutouts for logic Y1425 6 port	+\$130
<b>TB</b>	one center cutout for technology bucket	+\$130

## Step 7.

### Top Finish

For high-pressure laminate top/thermoplastic edge (L), high-pressure laminate/universal edge (U), high-pressure laminate top/thermoplastic edge with MicrobeCare™ (A), or high-pressure laminate top/universal edge with MicrobeCare™ (C)

<b>125</b>	natural maple (CP) <input type="checkbox"/>	+\$0
<b>126</b>	natural cherry (CP) <input type="checkbox"/>	+\$0
<b>127</b>	walnut (CP) <input type="checkbox"/>	+\$0
<b>139</b>	light ash (CP) <input type="checkbox"/>	+\$0
<b>140</b>	warm ash (CP) <input type="checkbox"/>	+\$0
<b>76</b>	light brown walnut	+\$0
<b>8Q</b>	folkstone grey (CP)	+\$0
<b>91</b>	white (CP)	+\$0
<b>98</b>	studio white (CP)	+\$0
<b>CL</b>	cool grey neutral	+\$0
<b>HF</b>	inner tone light	+\$0
<b>HP</b>	light anigre	+\$0
<b>LBA</b>	clear on ash (CP)	+\$0
<b>LBB</b>	oak on ash (CP)	+\$0
<b>LBC</b>	walnut on ash (CP)	+\$0
<b>LBF</b>	neutral twill	+\$0
<b>LBJ</b>	graphite twill	+\$0
<b>LBQ</b>	white twill	+\$0
<b>LBR</b>	phantom ecru <input type="checkbox"/>	+\$0
<b>LBS</b>	phantom cocoa <input type="checkbox"/>	+\$0
<b>LBU</b>	medium matte walnut (CP) <input type="checkbox"/>	+\$0
<b>LBV</b>	warm grey teak <input type="checkbox"/>	+\$0
<b>LT</b>	light tone	+\$0
<b>LU</b>	soft white	+\$0
<b>WL</b>	warm stone (CP)	+\$0
<b>WN</b>	warm grey neutral	+\$0

### Top/Edge Finish

For veneer top/veneer edge (W)

<b>2U</b>	light brown walnut <input type="checkbox"/>	+\$85
<b>40</b>	dark brown walnut <input type="checkbox"/>	+\$85
<b>CHD</b>	noble cherry	+\$85
<b>ET</b>	clear on ash <input type="checkbox"/>	+\$85
<b>EU</b>	oak on ash <input type="checkbox"/>	+\$85
<b>EV</b>	walnut on ash <input type="checkbox"/>	+\$85
<b>EW</b>	medium matte walnut <input type="checkbox"/>	+\$85
<b>OK</b>	white oak (nonstandard) <input type="checkbox"/>	+\$85
<b>UL</b>	natural maple <input type="checkbox"/>	+\$85
<b>WHN</b>	natural white oak	+\$85

## Step 8. Edge Finish

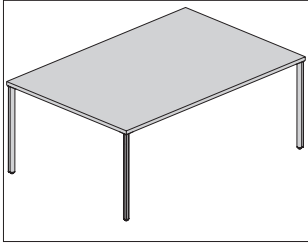
For high-pressure laminate top/thermoplastic edge (L) or high-pressure laminate top/thermoplastic edge with MicrobeCare™ (A)

<b>125</b>	natural maple (CP)	+\$0
<b>126</b>	natural cherry (CP)	+\$0
<b>127</b>	walnut (CP)	+\$0
<b>139</b>	light ash (CP)	+\$0
<b>140</b>	warm ash (CP)	+\$0
<b>76</b>	light brown walnut	+\$0
<b>8Q</b>	folkstone grey (CP)	+\$0
<b>91</b>	white (CP)	+\$0
<b>98</b>	studio white (CP)	+\$0
<b>CL</b>	cool grey neutral	+\$0
<b>G1</b>	graphite (CP)	+\$0
<b>HF</b>	inner tone light	+\$0
<b>HP</b>	light anigre	+\$0
<b>LBA</b>	clear on ash (CP)	+\$0
<b>LBB</b>	oak on ash (CP)	+\$0
<b>LBC</b>	walnut on ash (CP)	+\$0
<b>LBF</b>	neutral twill	+\$0
<b>LBJ</b>	graphite twill	+\$0
<b>LBQ</b>	white twill	+\$0
<b>LBR</b>	phantom ecru	+\$0
<b>LBS</b>	phantom cocoa	+\$0
<b>LBU</b>	medium matte walnut (CP)	+\$0
<b>LBV</b>	warm grey teak	+\$0
<b>LU</b>	soft white	+\$0
<b>WL</b>	warm stone (CP)	+\$0

For high-pressure laminate/universal edge (U) or high-pressure laminate top/universal edge with MicrobeCare™ (C)

<b>PLY</b>	plywood edge	+\$50
------------	--------------	-------





**Product Information**

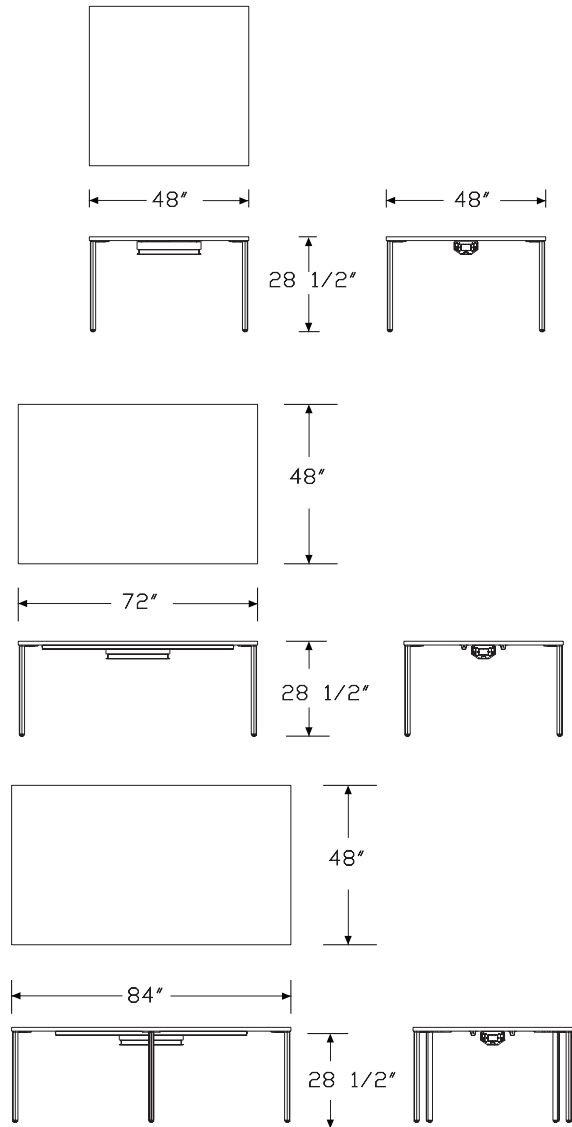
**Description**

This OE1 Workspace Collection™ seated-height Project Table has a laminate top with thermoplastic edge, laminate top with thermoplastic-backed plywood edge, or veneer top and edge. Laminate and veneer surfaces are 1¼" thick. Available with cutouts to accommodate Herman Miller power options that are ordered separately. Table comes with 1½" leveling glides. Shipped knocked down.

**Notes**

All project tables come with 2 stiffeners (HZ510).  
 Project tables that are 84" or 96" wide come with an intermediate leg on each side, for a total of 6 legs.  
 All casters are locking.

**Dimensions**



OE1 Fixed Height Tables

**Specification Information**

Step 1.

**HZ555**

Step 2. Edge

**S.** squared-edge

Step 3. Depth

**42** 42" deep

**48** 48" deep

Step 4. Width

**42** 42" wide

**48** 48" wide

**50** 49.75" wide

**51** 50.75" wide

**54** 54" wide

**60** 60" wide

**62** 61.75" wide

**63** 62.75" wide

**66** 66" wide

**72** 72" wide

**84** 84" wide

**96** 96" wide

Step 5. Surface Material

**L** high-pressure laminate top/thermoplastic edge

**U** high-pressure laminate/universal edge

**W** veneer top/veneer edge A

**A** high-pressure laminate top/thermoplastic edge with MicrobeCare™ A

**C** high-pressure laminate top/universal edge with MicrobeCare™ A

Prices for Steps 1-5.

	L	U	W	A	C
<b>HZ555S. 42 42</b>	\$1426	1426	2488	1517	1517
<b>48</b>	\$1564	1564	2741	1667	1667
<b>50</b>	\$1619	1619	2839	1722	1722
<b>51</b>	\$1674	1674	2928	1778	1778
<b>54</b>	\$1702	1702	2997	1806	1806
<b>60</b>	\$1839	1839	3223	1942	1942
<b>62</b>	\$1893	1893	3292	1996	1996
<b>63</b>	\$1947	1947	3401	2050	2050
<b>66</b>	\$1975	1975	3471	2079	2079
<b>72</b>	\$2113	2113	3690	2217	2217
<b>84</b>	\$2386	2386	4176	2506	2506
<b>96</b>	\$2738	2738	4726	2854	2854
<b>48 42</b>	\$1564	1564	2741	1667	1667
<b>48</b>	\$1721	1721	3009	1824	1824
<b>50</b>	\$1781	1781	3114	1884	1884
<b>51</b>	\$1841	1841	3223	1944	1944
<b>54</b>	\$1872	1872	3292	1974	1974
<b>60</b>	\$2023	2023	3539	2125	2125
<b>62</b>	\$2084	2084	3635	2187	2187
<b>63</b>	\$2144	2144	3757	2247	2247
<b>66</b>	\$2174	2174	3828	2276	2276
<b>72</b>	\$2325	2325	4074	2428	2428
<b>84</b>	\$2599	2599	4540	2715	2715
<b>96</b>	\$2874	2874	5027	2990	2990

Step 6. Power Access Cutout

*For 42" wide (42), 48" wide (48), 49.75" wide (50), 50.75" wide (51), 54" wide (54), 60" wide (60), 61.75" wide (62), or 62.75" wide (63)*

<b>NC</b>	no cutout	+\$0
<b>C1</b>	one center cutout for Logic Mini (RECTANGLE) - Y1414 and Y1412.1	+\$65
<b>C2</b>	double center cutouts for logic mini (rectangle) - Y1414 AND Y1412.1	+\$130
<b>C3</b>	one center cutout for Logic Mini (SQUARE) - Y1414 and Y1412.2	+\$65
<b>L3</b>	one center cutout for logic Y1425 3 port	+\$65
<b>L5</b>	one center cutout for logic Y1425 5 port	+\$65
<b>L6</b>	one center cutout for logic Y1425 6 port	+\$65
<b>TB</b>	one center cutout for technology bucket	+\$190

OE1 Project Table *continued*

*For 66" wide (66), 72" wide (72), 84" wide (84), or 96" wide (96)*

<b>NC</b>	no cutout	+\$0
<b>C4</b>	two cutouts for logic mini (rectangle) - Y1414 and Y1412.1	+\$130
<b>C5</b>	double center cutouts for logic mini (rectangle) - Y1414 AND Y1412.1	+\$130
<b>C6</b>	two cutouts for logic mini (square) - Y1414 and Y1412.2	+\$130
<b>L3</b>	two cutouts for logic Y1425 3 port	+\$130
<b>L5</b>	two cutouts for logic Y1425 5 port	+\$130
<b>L6</b>	two cutouts for logic Y1425 6 port	+\$130
<b>TB</b>	one center cutout for technology bucket	+\$130

Step 7.

Top Finish

*For high-pressure laminate top/thermoplastic edge (L), high-pressure laminate/universal edge (U), high-pressure laminate top/thermoplastic edge with MicrobeCare™ (A), or high-pressure laminate top/universal edge with MicrobeCare™ (C)*

<b>125</b>	natural maple (CP) <input type="checkbox"/>	+\$0
<b>126</b>	natural cherry (CP) <input type="checkbox"/>	+\$0
<b>127</b>	walnut (CP) <input type="checkbox"/>	+\$0
<b>139</b>	light ash (CP) <input type="checkbox"/>	+\$0
<b>140</b>	warm ash (CP) <input type="checkbox"/>	+\$0
<b>76</b>	light brown walnut	+\$0
<b>8Q</b>	folkstone grey (CP)	+\$0
<b>91</b>	white (CP)	+\$0
<b>98</b>	studio white (CP)	+\$0
<b>CL</b>	cool grey neutral	+\$0
<b>HF</b>	inner tone light	+\$0
<b>HP</b>	light anigre	+\$0
<b>LBA</b>	clear on ash (CP)	+\$0
<b>LBB</b>	oak on ash (CP)	+\$0
<b>LBC</b>	walnut on ash (CP)	+\$0
<b>LBF</b>	neutral twill	+\$0
<b>LBJ</b>	graphite twill	+\$0
<b>LBQ</b>	white twill	+\$0
<b>LBR</b>	phantom ecru <input type="checkbox"/>	+\$0
<b>LBS</b>	phantom cocoa <input type="checkbox"/>	+\$0
<b>LBU</b>	medium matte walnut (CP) <input type="checkbox"/>	+\$0
<b>LBV</b>	warm grey teak <input type="checkbox"/>	+\$0
<b>LT</b>	light tone	+\$0
<b>LU</b>	soft white	+\$0
<b>WL</b>	warm stone (CP)	+\$0
<b>WN</b>	warm grey neutral	+\$0

Top/Edge Finish

*For veneer top/veneer edge (W)*

<b>2U</b>	light brown walnut <input type="checkbox"/>	+\$85
<b>40</b>	dark brown walnut <input type="checkbox"/>	+\$85
<b>CHD</b>	noble cherry	+\$85
<b>ET</b>	clear on ash <input type="checkbox"/>	+\$85
<b>EU</b>	oak on ash <input type="checkbox"/>	+\$85
<b>EV</b>	walnut on ash <input type="checkbox"/>	+\$85
<b>EW</b>	medium matte walnut <input type="checkbox"/>	+\$85
<b>OK</b>	white oak (nonstandard) <input type="checkbox"/>	+\$85
<b>UL</b>	natural maple <input type="checkbox"/>	+\$85
<b>WHN</b>	natural white oak	+\$85

Step 8. Edge Finish

*For high-pressure laminate top/thermoplastic edge (L) or high-pressure laminate top/thermoplastic edge with MicrobeCare™ (A)*

<b>125</b>	natural maple (CP)	+\$0
<b>126</b>	natural cherry (CP)	+\$0
<b>127</b>	walnut (CP)	+\$0
<b>139</b>	light ash (CP)	+\$0
<b>140</b>	warm ash (CP)	+\$0
<b>76</b>	light brown walnut	+\$0
<b>8Q</b>	folkstone grey (CP)	+\$0
<b>91</b>	white (CP)	+\$0
<b>98</b>	studio white (CP)	+\$0
<b>CL</b>	cool grey neutral	+\$0
<b>G1</b>	graphite (CP)	+\$0
<b>HF</b>	inner tone light	+\$0
<b>HP</b>	light anigre	+\$0
<b>LBA</b>	clear on ash (CP)	+\$0
<b>LBB</b>	oak on ash (CP)	+\$0
<b>LBC</b>	walnut on ash (CP)	+\$0
<b>LBF</b>	neutral twill	+\$0
<b>LBJ</b>	graphite twill	+\$0
<b>LBQ</b>	white twill	+\$0
<b>LBR</b>	phantom ecru	+\$0
<b>LBS</b>	phantom cocoa	+\$0
<b>LBU</b>	medium matte walnut (CP)	+\$0
<b>LBV</b>	warm grey teak	+\$0
<b>LU</b>	soft white	+\$0
<b>WL</b>	warm stone (CP)	+\$0

*For high-pressure laminate/universal edge (U) or high-pressure laminate top/universal edge with MicrobeCare™ (C)*

<b>PLY</b>	plywood edge	+\$50
------------	--------------	-------

OE1 Fixed Height Tables

OE1 Project Table *continued*

OE1 Fixed Height Tables

Step 9. Leg Finish

Metallic Paint

<b>611</b>	beige mist metallic (CP)	+\$0
<b>613</b>	silver (CP)	+\$0
<b>SNA</b>	satin aluminum	+\$135
<b>SNB</b>	satin bronze	+\$135
<b>SNC</b>	satin carbon	+\$135

Sand Texture Paint

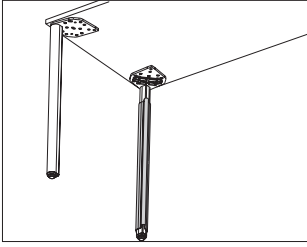
<b>UBK</b>	ultra black (CP)	+\$0
<b>8Q</b>	folkstone grey (CP)	+\$0
<b>91</b>	white (CP)	+\$0
<b>98</b>	studio white (CP)	+\$0
<b>BK</b>	black	+\$0
<b>G1</b>	graphite (CP)	+\$0
<b>WL</b>	warm stone (CP)	+\$0
<b>DB3</b>	glacier	+\$125
<b>DN2</b>	nightfall	+\$125
<b>DR1</b>	canyon	+\$125
<b>OLF</b>	olive	+\$125

Step 10. Base Type

<b>C</b>	casters	+\$0
<b>G</b>	glides	+\$0

# OE1 Leg Cable Manager for Seated Height Tables

HZ560.



### Product Information

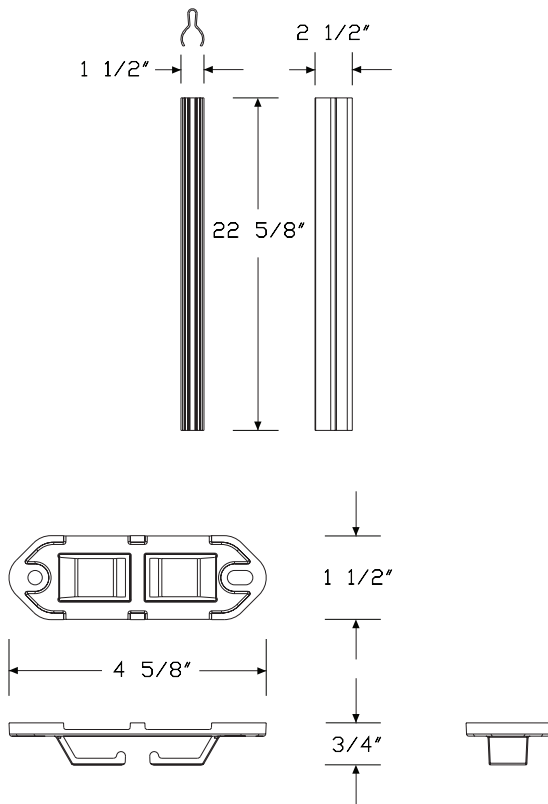
#### Description

This cable manager routes cables from the underside of an OE1 Workspace Collection™ seated height table down to the floor. The kit includes the cable manager and a cord bracket that attaches to the leg plate.

#### Notes

Cable manager can hold 2 cords.

#### Dimensions



### Specification Information

#### Step 1.

**HZ560.**

#### Step 2. Cable Manager Height

**23** 23" high for seated height tables

#### Prices for Steps 1-2.

**HZ560. 23** \$125

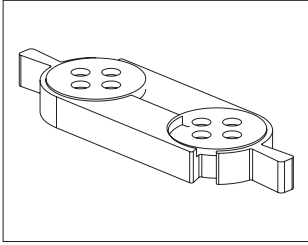
#### Step 3. Finish

<b>8Q</b>	folkstone grey (CP)	+\$0
<b>BK</b>	black	+\$0
<b>DB3</b>	glacier	+\$20
<b>DN2</b>	nightfall	+\$20
<b>DR1</b>	canyon	+\$20
<b>OLF</b>	olive	+\$20
<b>UBK</b>	ultra black (CP)	+\$0

OE1 Fixed Height Tables

# OE1 Ganging Connector

HZ565.



### Product Information

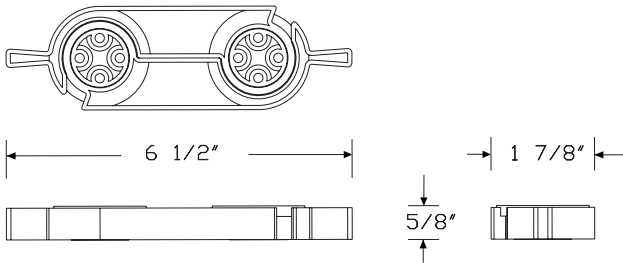
#### Description

This kit has 2 clips that attach to the underside of 2 adjacent surfaces, ganging them together to provide stability and allow components to be routed from 1 surface to another. Finish is black. Package contains 1 full connector assembly.

#### Notes

When ganging along the width of 2 surfaces, 2 connector assemblies are required. When ganging along the depth of 2 surfaces, 1 connector assembly is required. See OE1 planning guide for more information.

#### Dimensions



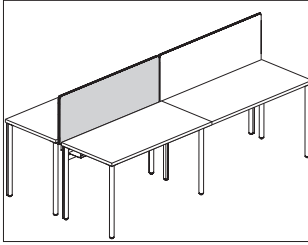
### Specification Information

#### Step 1.

**HZ565.**

\$87

# OE1 Bridge Mounted Screen, Flat Edge HZ535.



## Product Information

### Description

This flat edge screen provides privacy on the Accessory Bridge in a bench configuration with OE1 Workspace Collection™ tables. Installed height of the screen is 42", 46", or 53" high. Attachment hardware included.

### Notes

Screen only attaches to the OE1 Accessory Bridge (HZ520).

Screen accepts Customer's Own Material (COM). Yardage is estimated for nondirectional, 54" wide fabrics.

For vertical fabric direction (T, E) for 42" and 48" wide only:

Height—Yardage

14—1.26

18—1.51

25—1.95

For horizontal fabric direction (R, D) for 14" and 18" height:

Width—Yardage

42—1.51

48—1.70

54—1.89

60—2.08

66—2.27

72—2.46

For 25" height:

42—3.02

48—3.40

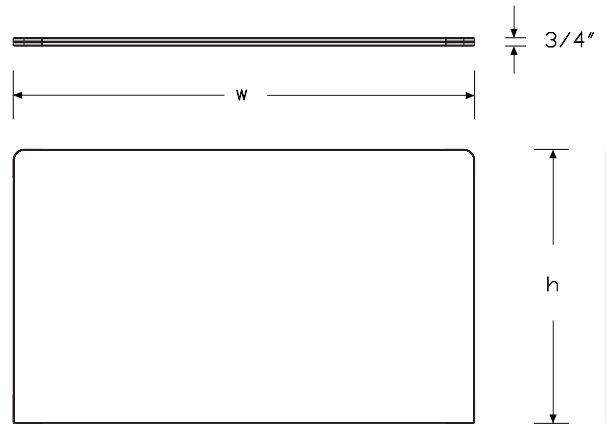
54—3.78

60—3.85

66—4.54

72—4.91

## Dimensions



OE1 Fixed Height Tables

# OE1 Bridge Mounted Screen, Flat Edge *continued*

OE1 Fixed Height Tables

## Specification Information

### Step 1.

**HZ535.**

### Step 2. Height

<b>14</b>	14" high (to reach 42" datum)
<b>18</b>	18" high (to reach 46" datum)
<b>25</b>	25" high (to reach 53" datum)

### Step 3. Width

<b>42</b>	42" wide
<b>48</b>	48" wide
<b>54</b>	54" wide
<b>60</b>	60" wide
<b>66</b>	66" wide
<b>72</b>	72" wide

### Step 4. Surface Material

*For 42" wide (42) or 48" wide (48)*

<b>D</b>	tackable fabric, horizontal with MicrobeCare™
<b>E</b>	tackable fabric with MicrobeCare™
<b>R</b>	tackable fabric, horizontal
<b>T</b>	tackable fabric

*For 54" wide (54), 60" wide (60), 66" wide (66), or 72" wide (72)*

<b>D</b>	tackable fabric, horizontal with MicrobeCare™
<b>R</b>	tackable fabric, horizontal

### Prices for Steps 1-4.

	<b>D</b>	<b>E</b>	<b>R</b>	<b>T</b>
<b>HZ535. 14 42</b>	\$912	912	826	826
<b>48</b>	\$967	967	880	880
<b>54</b>	\$1023	—	936	—
<b>60</b>	\$1089	—	1003	—
<b>66</b>	\$1157	—	1073	—
<b>72</b>	\$1228	—	1141	—
<b>18 42</b>	\$1011	1011	926	926
<b>48</b>	\$1073	1073	987	987
<b>54</b>	\$1135	—	1051	—
<b>60</b>	\$1208	—	1126	—
<b>66</b>	\$1288	—	1202	—
<b>72</b>	\$1364	—	1280	—

<b>25 42</b>	\$1150	1150	1065	1065
<b>48</b>	\$1220	1220	1136	1136
<b>54</b>	\$1291	—	1205	—
<b>60</b>	\$1378	—	1293	—
<b>66</b>	\$1467	—	1383	—
<b>72</b>	\$1555	—	1469	—

### Step 5. Fabric

*For 14" high (to reach 42" datum) (14) or 18" high (to reach 46" datum) (18) with 42" wide (42), or 48" wide (48)*

Price Category B	+\$176
Price Category 1	+\$0
Price Category 2	+\$23
Price Category 3	+\$55
Price Category 4	+\$98
Price Category 5	+\$168
Price Category C	+\$239
Price Category E	+\$361

*For 25" high (to reach 53" datum) (25) with 42" wide (42), or 48" wide (48)*

Price Category B	+\$311
Price Category 1	+\$0
Price Category 2	+\$41
Price Category 3	+\$97
Price Category 4	+\$174
Price Category 5	+\$295
Price Category C	+\$420
Price Category E	+\$636

*For 14" high (to reach 42" datum) (14) or 18" high (to reach 46" datum) (18) with 54" wide (54), or 60" wide (60)*

Price Category B	+\$217
Price Category 1	+\$0
Price Category 2	+\$29
Price Category 3	+\$68
Price Category 4	+\$121
Price Category 5	+\$208
Price Category C	+\$294
Price Category E	+\$445



# OE1 Bridge Mounted Screen, Flat Edge *continued*

For 14" high (to reach 42" datum) (14) or 18" high (to reach 46" datum) (18) with 66" wide (66), or 72" wide (72)

Price Category B	+\$259
Price Category 1	+\$0
Price Category 2	+\$34
Price Category 3	+\$82
Price Category 4	+\$145
Price Category 5	+\$247
Price Category C	+\$350
Price Category E	+\$530

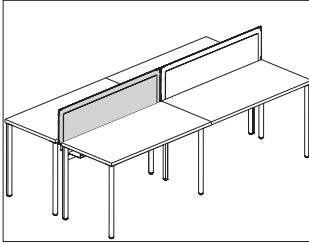
For 25" high (to reach 53" datum) (25) with 54" wide (54), or 60" wide (60)

Price Category B	+\$384
Price Category 1	+\$0
Price Category 2	+\$50
Price Category 3	+\$121
Price Category 4	+\$215
Price Category 5	+\$365
Price Category C	+\$520
Price Category E	+\$785

For 25" high (to reach 53" datum) (25) with 66" wide (66), or 72" wide (72)

Price Category B	+\$456
Price Category 1	+\$0
Price Category 2	+\$59
Price Category 3	+\$144
Price Category 4	+\$256
Price Category 5	+\$434
Price Category C	+\$618
Price Category E	+\$934

# OE1 Bridge Mounted Screen, Pari HZ540.



OE1 Fixed Height Tables

## Product Information

### Description

This Pari screen provides privacy on the Accessory Bridge in a bench configuration with OE1 tables. Installed height of the screen is 42", 46", or 53" high. Attachment hardware included.

### Notes

Screen only attaches to the OE1 Accessory Bridge (HZ520.).

Screen accepts Customer's Own Material (COM). Yardage is estimated for nondirectional, 54" wide fabrics.

For vertical fabric direction (T, E) for 42" and 48" wide only:

#### Height—Yardage

14—1.26

18—1.51

25—1.95

For horizontal fabric direction (R, D) for 14" and 18" height:

#### Width—Yardage

42—1.51

48—1.70

54—1.89

60—2.08

66—2.27

72—2.46

For 25" height:

42—3.02

48—3.40

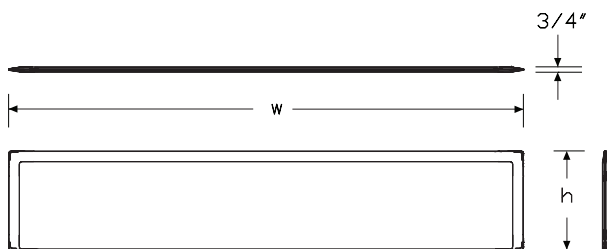
54—3.78

60—3.85

66—4.54

72—4.91

## Dimensions



## Specification Information

### Step 1.

**HZ540.**

### Step 2. Height

**14** 14" high (to reach 42" datum)

**18** 18" high (to reach 46" datum)

**25** 25" high (to reach 53" datum)

### Step 3. Width

**42** 42" wide

**48** 48" wide

**54** 54" wide

**60** 60" wide

**66** 66" wide

**72** 72" wide

### Step 4. Surface Material

#### For 42" wide (42) or 48" wide (48)

**D** tackable fabric, horizontal with MicrobeCare™

**E** tackable fabric with MicrobeCare™

**R** tackable fabric, horizontal

**T** tackable fabric

#### For 54" wide (54), 60" wide (60), 66" wide (66), or 72" wide (72)

**D** tackable fabric, horizontal with MicrobeCare™

**R** tackable fabric, horizontal

### Prices for Steps 1-4.

		D	E	R	T
<b>HZ540. 14</b>	<b>42</b>	\$1139	1139	1054	1054
	<b>48</b>	\$1234	1234	1150	1150
	<b>54</b>	\$1332	—	1246	—
	<b>60</b>	\$1414	—	1329	—
	<b>66</b>	\$1496	—	1412	—
	<b>72</b>	\$1578	—	1494	—
<b>18</b>	<b>42</b>	\$1264	1264	1179	1179
	<b>48</b>	\$1371	1371	1289	1289
	<b>54</b>	\$1480	—	1395	—
	<b>60</b>	\$1573	—	1489	—
	<b>66</b>	\$1664	—	1580	—
	<b>72</b>	\$1758	—	1673	—

# OE1 Bridge Mounted Screen, Pari

continued

<b>25 42</b>	\$1384	1384	1298	1298
<b>48</b>	\$1501	1501	1416	1416
<b>54</b>	\$1619	—	1532	—
<b>60</b>	\$1721	—	1634	—
<b>66</b>	\$1823	—	1738	—
<b>72</b>	\$1923	—	1839	—

## Step 5. Fabric

*For 14" high (to reach 42" datum) (14) or 18" high (to reach 46" datum) (18) with 42" wide (42), or 48" wide (48)*

Price Category B	+\$176
Price Category 1	+\$0
Price Category 2	+\$23
Price Category 3	+\$55
Price Category 4	+\$98
Price Category 5	+\$168
Price Category C	+\$239
Price Category E	+\$361

*For 25" high (to reach 53" datum) (25) with 42" wide (42), or 48" wide (48)*

Price Category B	+\$311
Price Category 1	+\$0
Price Category 2	+\$41
Price Category 3	+\$97
Price Category 4	+\$174
Price Category 5	+\$295
Price Category C	+\$420
Price Category E	+\$636

*For 14" high (to reach 42" datum) (14) or 18" high (to reach 46" datum) (18) with 54" wide (54), or 60" wide (60)*

Price Category B	+\$217
Price Category 1	+\$0
Price Category 2	+\$29
Price Category 3	+\$68
Price Category 4	+\$121
Price Category 5	+\$208
Price Category C	+\$294
Price Category E	+\$445

*For 14" high (to reach 42" datum) (14) or 18" high (to reach 46" datum) (18) with 66" wide (66), or 72" wide (72)*

Price Category B	+\$259
Price Category 1	+\$0
Price Category 2	+\$34
Price Category 3	+\$82
Price Category 4	+\$145
Price Category 5	+\$247
Price Category C	+\$350
Price Category E	+\$530

*For 25" high (to reach 53" datum) (25) with 54" wide (54), or 60" wide (60)*

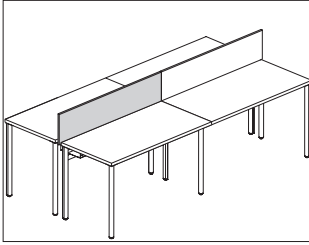
Price Category B	+\$384
Price Category 1	+\$0
Price Category 2	+\$50
Price Category 3	+\$121
Price Category 4	+\$215
Price Category 5	+\$365
Price Category C	+\$520
Price Category E	+\$785

*For 25" high (to reach 53" datum) (25) with 66" wide (66), or 72" wide (72)*

Price Category B	+\$456
Price Category 1	+\$0
Price Category 2	+\$59
Price Category 3	+\$144
Price Category 4	+\$256
Price Category 5	+\$434
Price Category C	+\$618
Price Category E	+\$934

OE1 Fixed Height Tables

OE1 Bridge Mounted Screen, HZ545.  
Laminate



**Product Information**

**Description**

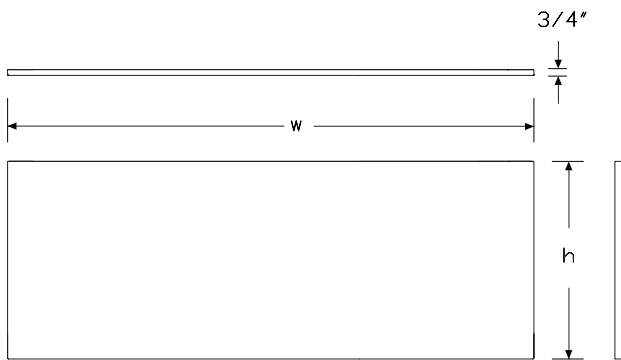
This laminate screen provides privacy on the Accessory Bridge in a bench configuration with OE1 Workspace Collection™ tables. Installed height of the screen is 42", 46", or 53" high. Attachment hardware included.

**Notes**

Screen only attaches to the OE1 Accessory Bridge (HZ520.).

**Dimensions**

OE1 Fixed Height Tables



**Specification Information**

**Step 1.**

**HZ545.**

**Step 2. Height**

- 14** 14" high (to reach 42" datum)
- 18** 18" high (to reach 46" datum)
- 25** 25" high (to reach 53" datum)

**Step 3. Width**

- 42** 42" wide
- 48** 48" wide
- 54** 54" wide
- 60** 60" wide
- 66** 66" wide
- 72** 72" wide

**Step 4. Surface Material**

- L** high-pressure laminate top/thermoplastic edge

**Prices for Steps 1-4.**

		<b>L</b>
<b>HZ545. 14</b>	<b>42</b>	\$531
	<b>48</b>	\$575
	<b>54</b>	\$617
	<b>60</b>	\$672
	<b>66</b>	\$709
	<b>72</b>	\$747
<b>18</b>	<b>42</b>	\$638
	<b>48</b>	\$690
	<b>54</b>	\$739
	<b>60</b>	\$808
	<b>66</b>	\$850
	<b>72</b>	\$893
<b>25</b>	<b>42</b>	\$764
	<b>48</b>	\$826
	<b>54</b>	\$888
	<b>60</b>	\$969
	<b>66</b>	\$1021
	<b>72</b>	\$1071

**Step 5. Grain Direction**

- HRG** horizontal grain +\$0

# OE1 Bridge Mounted Screen, Laminate *continued*

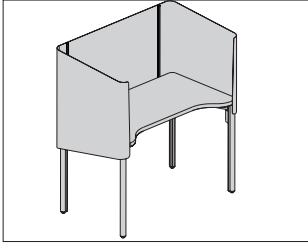
## Step 6. Surface Finish

<b>125</b>	natural maple (CP)	+\$0
<b>126</b>	natural cherry (CP)	+\$0
<b>127</b>	walnut (CP)	+\$0
<b>139</b>	light ash (CP)	+\$0
<b>140</b>	warm ash (CP)	+\$0
<b>76</b>	light brown walnut	+\$0
<b>8Q</b>	folkstone grey (CP)	+\$0
<b>91</b>	white (CP)	+\$0
<b>98</b>	studio white (CP)	+\$0
<b>CL</b>	cool grey neutral	+\$0
<b>G1</b>	graphite (CP)	+\$0
<b>HP</b>	light anigre	+\$0
<b>LBA</b>	clear on ash (CP)	+\$0
<b>LBB</b>	oak on ash (CP)	+\$0
<b>LBC</b>	walnut on ash (CP)	+\$0
<b>LBF</b>	neutral twill	+\$0
<b>LBJ</b>	graphite twill	+\$0
<b>LBQ</b>	white twill	+\$0
<b>LBR</b>	phantom ecru	+\$0
<b>LBS</b>	phantom cocoa	+\$0
<b>LBU</b>	medium matte walnut (CP)	+\$0
<b>LBV</b>	warm grey teak	+\$0
<b>LU</b>	soft white	+\$0
<b>WL</b>	warm stone (CP)	+\$0
<b>WN</b>	warm grey neutral	+\$0

## Step 7. Edge Finish

<b>125</b>	natural maple (CP)	+\$0
<b>126</b>	natural cherry (CP)	+\$0
<b>127</b>	walnut (CP)	+\$0
<b>139</b>	light ash (CP)	+\$0
<b>140</b>	warm ash (CP)	+\$0
<b>76</b>	light brown walnut	+\$0
<b>8Q</b>	folkstone grey (CP)	+\$0
<b>91</b>	white (CP)	+\$0
<b>98</b>	studio white (CP)	+\$0
<b>CL</b>	cool grey neutral	+\$0
<b>G1</b>	graphite (CP)	+\$0
<b>HF</b>	inner tone light	+\$0
<b>HP</b>	light anigre	+\$0
<b>LBA</b>	clear on ash (CP)	+\$0
<b>LBB</b>	oak on ash (CP)	+\$0
<b>LBC</b>	walnut on ash (CP)	+\$0
<b>LBF</b>	neutral twill	+\$0
<b>LBJ</b>	graphite twill	+\$0
<b>LBQ</b>	white twill	+\$0
<b>LBR</b>	phantom ecru	+\$0
<b>LBS</b>	phantom cocoa	+\$0
<b>LBU</b>	medium matte walnut (CP)	+\$0
<b>LBV</b>	warm grey teak	+\$0
<b>LU</b>	soft white	+\$0
<b>WL</b>	warm stone (CP)	+\$0
<b>WN</b>	warm grey neutral	+\$0

OE1 Fixed Height Tables



OE1 Fixed Height Tables

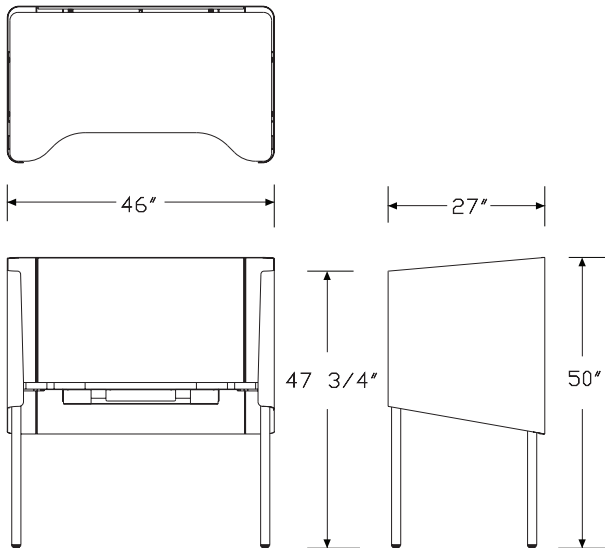
**Product Information**

**Description**  
 This OE1 Workspace Collection™ Nook provides privacy and boundary for focused work. It has a 26"D×45"W laminate top with thermoplastic edge, laminate top with thermoplastic-backed plywood edge, or veneer top and edge. Laminate and veneer surfaces are 1¼" thick. The screen extends 21½" above the surface and has optional liners.

**Notes**

There is a 1" gap between surface and screen.  
 Liners (HZ575.) are optional, and can also be ordered separately.  
 All Liner sections come in the same specified fabric.

**Dimensions**



**Specification Information**

**Step 1.**

**HZ570**

**Step 2. Edge**

**S.** squared-edge

**Step 3. Surface Depth**

**26** 26" deep

**Step 4. Surface Width**

**45** 45" wide

**Step 5. Surface Material**

- L** high-pressure laminate top/thermoplastic edge
- W** veneer top/veneer edge **A**
- A** high-pressure laminate top/thermoplastic edge with MicrobeCare™ **A**

**Step 6. Liner Options**

- C** center liner, no side liners
- L** center liner and two side liners
- N** no center liner, no side liners

**Prices for Steps 1-6.**

	LC	LL	LN	WC	WL	WN
<b>HZ570S. 26 45</b>	\$3565	4231	3241	4623	5289	4299
				AC	AL	AN
<b>HZ570S. 26 45</b>				\$3653	4322	3330

**Step 7. Power Access Cutout**

- NC** no cutout +\$0
- CC** center cutout for Logic Mini - Y1414 and Y1412.1 +\$65

**Step 8. Screen Finish**

**Metallic Paint**

- 611** beige mist metallic (CP) +\$0
- 613** silver (CP) +\$0
- SNA** satin aluminum +\$60
- SNB** satin bronze +\$60
- SNC** satin carbon +\$60

Sand Texture Paint		
<b>8Q</b>	folkstone grey (CP)	+\$0
<b>91</b>	white (CP)	+\$0
<b>98</b>	studio white (CP)	+\$0
<b>BK</b>	black	+\$0
<b>DB3</b>	glacier	+\$50
<b>DN2</b>	nightfall	+\$50
<b>DR1</b>	canyon	+\$50
<b>G1</b>	graphite (CP)	+\$0
<b>OLF</b>	olive	+\$50
<b>UBK</b>	ultra black (CP)	+\$0
<b>WL</b>	warm stone (CP)	+\$0

Step 9. Liner Fabric	
<i>For center liner, no side liners (C) or center liner and two side liners (L)</i>	
Price Category 4	+\$0

Step 10.		
Top Finish		
<i>For high-pressure laminate top/thermoplastic edge (L) or high-pressure laminate top/thermoplastic edge with MicrobeCare™ (A)</i>		
<b>125</b>	natural maple (CP) <span style="border: 1px solid black; padding: 0 2px;">A</span>	+\$0
<b>126</b>	natural cherry (CP) <span style="border: 1px solid black; padding: 0 2px;">A</span>	+\$0
<b>127</b>	walnut (CP) <span style="border: 1px solid black; padding: 0 2px;">A</span>	+\$0
<b>139</b>	light ash (CP) <span style="border: 1px solid black; padding: 0 2px;">A</span>	+\$0
<b>140</b>	warm ash (CP) <span style="border: 1px solid black; padding: 0 2px;">A</span>	+\$0
<b>76</b>	light brown walnut	+\$0
<b>8Q</b>	folkstone grey (CP)	+\$0
<b>91</b>	white (CP)	+\$0
<b>98</b>	studio white (CP)	+\$0
<b>CL</b>	cool grey neutral	+\$0
<b>HF</b>	inner tone light	+\$0
<b>HP</b>	light anigre	+\$0
<b>LBA</b>	clear on ash (CP)	+\$0
<b>LBB</b>	oak on ash (CP)	+\$0
<b>LBC</b>	walnut on ash (CP)	+\$0
<b>LBF</b>	neutral twill	+\$0
<b>LBJ</b>	graphite twill	+\$0
<b>LBQ</b>	white twill	+\$0
<b>LBR</b>	phantom ecru <span style="border: 1px solid black; padding: 0 2px;">A</span>	+\$0
<b>LBS</b>	phantom cocoa <span style="border: 1px solid black; padding: 0 2px;">A</span>	+\$0
<b>LBU</b>	medium matte walnut (CP) <span style="border: 1px solid black; padding: 0 2px;">A</span>	+\$0
<b>LBV</b>	warm grey teak <span style="border: 1px solid black; padding: 0 2px;">A</span>	+\$0
<b>LT</b>	light tone	+\$0
<b>LU</b>	soft white	+\$0
<b>WL</b>	warm stone (CP)	+\$0
<b>WN</b>	warm grey neutral	+\$0

Top/Edge Finish		
<i>For veneer top/veneer edge (W)</i>		
<b>2U</b>	light brown walnut <span style="border: 1px solid black; padding: 0 2px;">A</span>	+\$85
<b>40</b>	dark brown walnut <span style="border: 1px solid black; padding: 0 2px;">A</span>	+\$85
<b>CHD</b>	noble cherry	+\$85
<b>ET</b>	clear on ash <span style="border: 1px solid black; padding: 0 2px;">A</span>	+\$85
<b>EU</b>	oak on ash <span style="border: 1px solid black; padding: 0 2px;">A</span>	+\$85
<b>EV</b>	walnut on ash <span style="border: 1px solid black; padding: 0 2px;">A</span>	+\$85
<b>EW</b>	medium matte walnut <span style="border: 1px solid black; padding: 0 2px;">A</span>	+\$85
<b>OK</b>	white oak (nonstandard) <span style="border: 1px solid black; padding: 0 2px;">A</span>	+\$85
<b>UL</b>	natural maple <span style="border: 1px solid black; padding: 0 2px;">A</span>	+\$85
<b>WHN</b>	natural white oak	+\$85

Step 11. Edge Finish

*For high-pressure laminate top/thermoplastic edge (L) or high-pressure laminate top/thermoplastic edge with MicrobeCare™ (A)*

<b>125</b>	natural maple (CP)	+\$0
<b>126</b>	natural cherry (CP)	+\$0
<b>127</b>	walnut (CP)	+\$0
<b>139</b>	light ash (CP)	+\$0
<b>140</b>	warm ash (CP)	+\$0
<b>76</b>	light brown walnut	+\$0
<b>8Q</b>	folkstone grey (CP)	+\$0
<b>91</b>	white (CP)	+\$0
<b>98</b>	studio white (CP)	+\$0
<b>CL</b>	cool grey neutral	+\$0
<b>G1</b>	graphite (CP)	+\$0
<b>HF</b>	inner tone light	+\$0
<b>HP</b>	light anigre	+\$0
<b>LBA</b>	clear on ash (CP)	+\$0
<b>LBB</b>	oak on ash (CP)	+\$0
<b>LBC</b>	walnut on ash (CP)	+\$0
<b>LBF</b>	neutral twill	+\$0
<b>LBJ</b>	graphite twill	+\$0
<b>LBQ</b>	white twill	+\$0
<b>LBR</b>	phantom ecru	+\$0
<b>LBS</b>	phantom cocoa	+\$0
<b>LBU</b>	medium matte walnut (CP)	+\$0
<b>LBV</b>	warm grey teak	+\$0
<b>LU</b>	soft white	+\$0
<b>WL</b>	warm stone (CP)	+\$0

Step 12. Leg Finish

<b>Metallic Paint</b>		
<b>611</b>	beige mist metallic (CP)	+\$0
<b>613</b>	silver (CP)	+\$0
<b>SNA</b>	satin aluminum	+\$135
<b>SNB</b>	satin bronze	+\$135
<b>SNC</b>	satin carbon	+\$135

Sand Texture Paint

<b>UBK</b>	ultra black (CP)	+\$0
<b>8Q</b>	folkstone grey (CP)	+\$0
<b>91</b>	white (CP)	+\$0
<b>98</b>	studio white (CP)	+\$0
<b>BK</b>	black	+\$0
<b>G1</b>	graphite (CP)	+\$0
<b>WL</b>	warm stone (CP)	+\$0
<b>DB3</b>	glacier	+\$125
<b>DN2</b>	nightfall	+\$125
<b>DR1</b>	canyon	+\$125
<b>OLF</b>	olive	+\$125

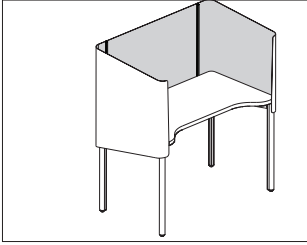
Step 13. Base Type

<b>C</b>	casters	+\$0
<b>G</b>	glides	+\$0



# OE1 Nook Liner

HZ575.



### Product Information

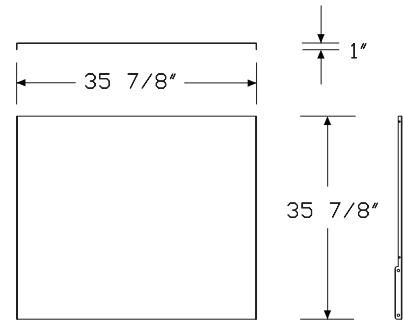
#### Description

This liner retrofits to the OE1 Workspace Collection™ Nook. It is user movable without tools.

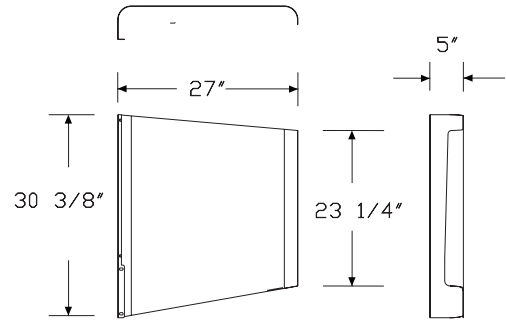
#### Notes

Liner is compatible with the OE1 Nook (HZ570).

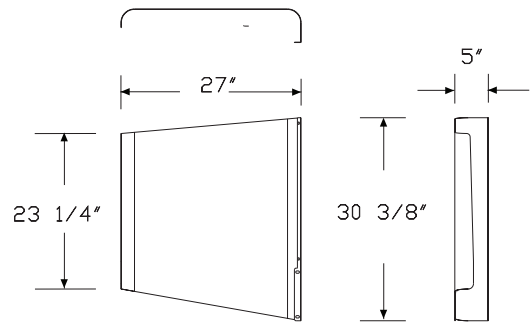
### Dimensions



Centre Liner



Right Liner



Left Liner

# OE1 Nook Liner *continued*

## Specification Information

Step 1.

**HZ575.**

### Step 2. Liner Options

**C** center liner, no side liners

**L** center liner and two side liners

**S** two side liners, no center liner

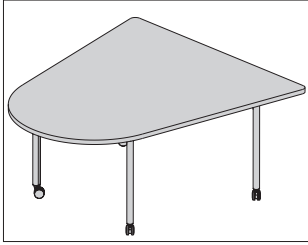
### Prices for Steps 1-2.

<b>HZ575. C</b>	\$413
<b>L</b>	\$1101
<b>S</b>	\$688

### Step 3. Finish

Price Category 4	+\$0
------------------	------

OE1 Fixed Height Tables

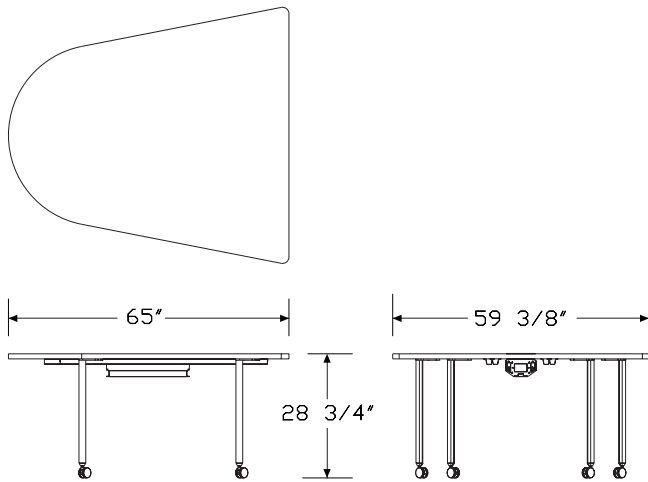


**Product Information**

**Description**

This OE1 Workspace Collection™ seated-height Huddle Table has a laminate top with thermoplastic edge, or veneer top and edge. Laminate and veneer surfaces are 1¼" thick. Available with cutouts to accommodate Herman Miller power options that are ordered separately. Table comes with 1½" leveling glides or casters.

**Dimensions**



**Specification Information**

**Step 1.**

**HZ580**

**Step 2. Edge**

**S.** squared-edge

**Step 3. Depth**

**60** 60" deep

**Step 4. Width**

**65** 65" wide

**Step 5. Surface Material**

**L** high-pressure laminate top/thermoplastic edge

**W** veneer top/veneer edge **A**

**A** high-pressure laminate top/thermoplastic edge with MicrobeCare™ **A**

**Prices for Steps 1-5.**

	<b>L</b>	<b>W</b>	<b>A</b>
<b>HZ580S. 60 65</b>	\$2323	4528	2427

**Step 6. Power Access Cutout**

<b>NC</b>	no cutout	+\$0
<b>C5</b>	off-center cutout for logic mini (square) Y14xx and Y1412	+\$65
<b>L3</b>	one center cutout for logic Y1425 3 port	+\$65
<b>L5</b>	one center cutout for logic Y1425 5 port	+\$65
<b>L6</b>	one center cutout for logic Y1425 6 port	+\$65
<b>TB</b>	one center cutout for technology bucket	+\$190

Step 7.

Top Finish

*For high-pressure laminate top/thermoplastic edge (L) or high-pressure laminate top/thermoplastic edge with MicrobeCare™ (A)*

<b>125</b>	natural maple (CP) <input type="checkbox"/>	+\$0
<b>126</b>	natural cherry (CP) <input type="checkbox"/>	+\$0
<b>127</b>	walnut (CP) <input type="checkbox"/>	+\$0
<b>139</b>	light ash (CP) <input type="checkbox"/>	+\$0
<b>140</b>	warm ash (CP) <input type="checkbox"/>	+\$0
<b>76</b>	light brown walnut	+\$0
<b>8Q</b>	folkstone grey (CP)	+\$0
<b>91</b>	white (CP)	+\$0
<b>98</b>	studio white (CP)	+\$0
<b>CL</b>	cool grey neutral	+\$0
<b>HF</b>	inner tone light	+\$0
<b>HP</b>	light anigre	+\$0
<b>LBA</b>	clear on ash (CP)	+\$0
<b>LBB</b>	oak on ash (CP)	+\$0
<b>LBC</b>	walnut on ash (CP)	+\$0
<b>LBF</b>	neutral twill	+\$0
<b>LBJ</b>	graphite twill	+\$0
<b>LBQ</b>	white twill	+\$0
<b>LBR</b>	phantom ecru <input type="checkbox"/>	+\$0
<b>LBS</b>	phantom cocoa <input type="checkbox"/>	+\$0
<b>LBU</b>	medium matte walnut (CP) <input type="checkbox"/>	+\$0
<b>LBV</b>	warm grey teak <input type="checkbox"/>	+\$0
<b>LT</b>	light tone	+\$0
<b>LU</b>	soft white	+\$0
<b>WL</b>	warm stone (CP)	+\$0
<b>WN</b>	warm grey neutral	+\$0

Top/Edge Finish

*For veneer top/veneer edge (W)*

<b>2U</b>	light brown walnut <input type="checkbox"/>	+\$85
<b>40</b>	dark brown walnut <input type="checkbox"/>	+\$85
<b>CHD</b>	noble cherry	+\$85
<b>ET</b>	clear on ash <input type="checkbox"/>	+\$85
<b>EU</b>	oak on ash <input type="checkbox"/>	+\$85
<b>EV</b>	walnut on ash <input type="checkbox"/>	+\$85
<b>EW</b>	medium matte walnut <input type="checkbox"/>	+\$85
<b>OK</b>	white oak (nonstandard) <input type="checkbox"/>	+\$85
<b>UL</b>	natural maple <input type="checkbox"/>	+\$85
<b>WHN</b>	natural white oak	+\$85

Step 8. Edge Finish

*For high-pressure laminate top/thermoplastic edge (L) or high-pressure laminate top/thermoplastic edge with MicrobeCare™ (A)*

<b>125</b>	natural maple (CP)	+\$0
<b>126</b>	natural cherry (CP)	+\$0
<b>127</b>	walnut (CP)	+\$0
<b>139</b>	light ash (CP)	+\$0
<b>140</b>	warm ash (CP)	+\$0
<b>76</b>	light brown walnut	+\$0
<b>8Q</b>	folkstone grey (CP)	+\$0
<b>91</b>	white (CP)	+\$0
<b>98</b>	studio white (CP)	+\$0
<b>CL</b>	cool grey neutral	+\$0
<b>G1</b>	graphite (CP)	+\$0
<b>HF</b>	inner tone light	+\$0
<b>HP</b>	light anigre	+\$0
<b>LBA</b>	clear on ash (CP)	+\$0
<b>LBB</b>	oak on ash (CP)	+\$0
<b>LBC</b>	walnut on ash (CP)	+\$0
<b>LBF</b>	neutral twill	+\$0
<b>LBJ</b>	graphite twill	+\$0
<b>LBQ</b>	white twill	+\$0
<b>LBR</b>	phantom ecru	+\$0
<b>LBS</b>	phantom cocoa	+\$0
<b>LBU</b>	medium matte walnut (CP)	+\$0
<b>LBV</b>	warm grey teak	+\$0
<b>LU</b>	soft white	+\$0
<b>WL</b>	warm stone (CP)	+\$0

Step 9. Leg Finish

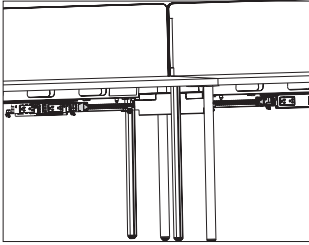
Metallic Paint

<b>611</b>	beige mist metallic (CP)	+\$0
<b>613</b>	silver (CP)	+\$0
<b>SNA</b>	satin aluminum	+\$135
<b>SNB</b>	satin bronze	+\$135
<b>SNC</b>	satin carbon	+\$135

## OE1 Huddle Table *continued*

Sand Texture Paint		
<b>UBK</b>	ultra black (CP)	+\$0
<b>8Q</b>	folkstone grey (CP)	+\$0
<b>91</b>	white (CP)	+\$0
<b>98</b>	studio white (CP)	+\$0
<b>BK</b>	black	+\$0
<b>G1</b>	graphite (CP)	+\$0
<b>WL</b>	warm stone (CP)	+\$0
<b>DB3</b>	glacier	+\$125
<b>DN2</b>	nightfall	+\$125
<b>DR1</b>	canyon	+\$125
<b>OLF</b>	olive	+\$125
Step 10. Base Type		
<b>C</b>	casters	+\$0
<b>G</b>	glides	+\$0

# OE1 Power Entry, Internal Direct Connect HZ700.



## Product Information

### Description

This power entry connects a building's electrical from a wall, floor, or column to the end of a 4-circuit junction block and distributes up to 4 20-amp circuits. UL Listed for use with OE1 Workspace Collection™ in the US and Canada.

### Notes

OE1 modular power products are only compatible with other OE1 modular products.

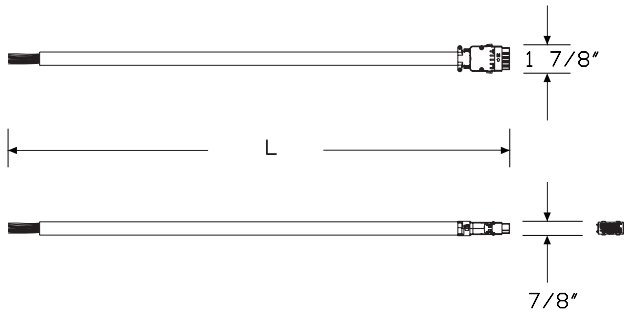
Power entry can be field cut to the appropriate length.

Finish color on liquid tight conduit is black.

To manage and/or cover power entry, order power entry cover (HZ720.) separately.

A licensed electrician must wire the power entry to the building's electrical system.

## Dimensions



## Specification Information

### Step 1.

**HZ700.**

### Step 2. Configuration

**08** 8-wire, 4 circuit, shared neutral

**10** 10-wire, 4-circuit, separate neutrals

### Step 3. Entry Length

**06** 6' long

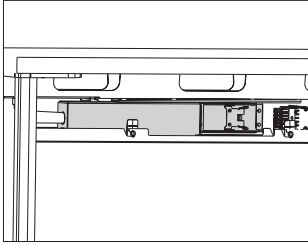
**12** 12' long

**18** 18' long

### Prices for Steps 1-3.

	<b>06</b>	<b>12</b>	<b>18</b>
<b>HZ700.08</b>	\$292	413	498
<b>10</b>	\$292	413	498

OE1 Fixed Height Tables



**Product Information**

**Description**

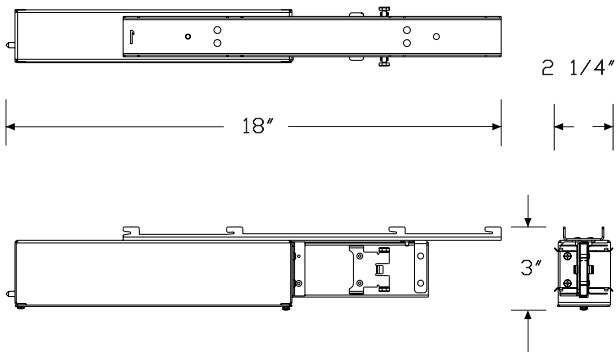
This power entry connects a building's electrical from a wall, floor, or column to the end of a 4-circuit junction block and distributes up to 4 20-amp circuits. UL Listed for use with OE1 Workspace Collection™ in the US and Canada.

**Notes**

OE1 modular power products are only compatible with other OE1 modular products.

A licensed electrician must wire the power entry to the building's electrical system.

**Dimensions**



**Specification Information**

**Step 1.**

**HZ710.**

**Step 2. Configuration**

**08** 8-wire, 4 circuit, shared neutral

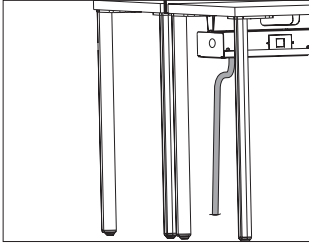
**10** 10-wire, 4-circuit, separate neutrals

**Prices for Steps 1-2.**

<b>HZ710. 08</b>	\$473
<b>10</b>	\$473

OE1 Power Entry Cover

HZ720.



**Product Information**

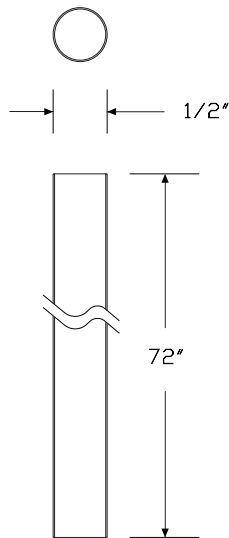
Description

This mesh cover manages cables and covers the power entry. Attachment hardware included.

Notes

OE1 modular power products are only compatible with other OE1 modular products.

Dimensions



**Specification Information**

Step 1.

**HZ720.**

Step 2. Length

**72** 72" long

Step 3. Attachment

**B** for use with accessory bridge

Prices for Steps 1-3.

	<b>B</b>
<b>HZ720. 72</b>	\$182

Step 4. Finish

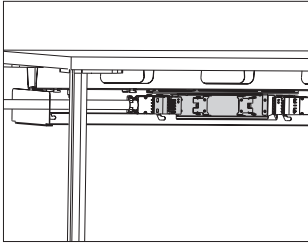
<b>UBK</b> ultra black (CP)	+\$0
<b>BK</b> black	+\$0

OE1 Fixed Height Tables



OE1 Power Harness

HZ730.



**Product Information**

**Description**

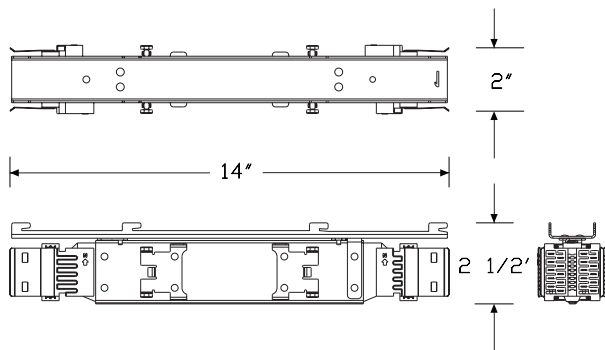
This power harness holds up to 4 receptacles.

**Notes**

1 harness can hold 4 receptacles, 2 on each side.

OE1 modular power products are only compatible with other OE1 modular products.

**Dimensions**



**Specification Information**

**Step 1.**

**HZ730.**

**Step 2. Configuration**

**08** 8-wire, 4 circuit, shared neutral

**10** 10-wire, 4-circuit, separate neutrals

**Prices for Steps 1-2.**

**HZ730.08**

\$198

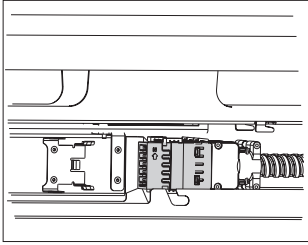
**10**

\$198

OE1 Fixed Height Tables

# OE1 Power Jumper

HZ740.



### Product Information

#### Description

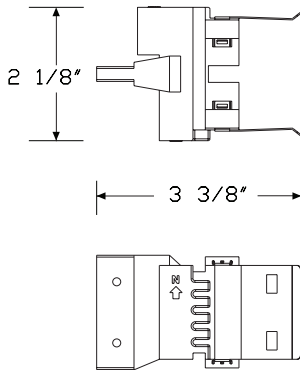
This power jumper distributes up to 4 20-amp circuits between 2 junction boxes. UL Listed for use with OE1 Workspace Collection™ in the US and Canada.

#### Notes

OE1 modular power products are only compatible with other OE1 modular products.

#### Dimensions

OE1 Fixed Height Tables



### Specification Information

#### Step 1.

**HZ740.**

#### Step 2. Configuration

- 08** 8-wire, 4 circuit, shared neutral
- 10** 10-wire, 4-circuit, separate neutrals

#### Step 3. Width

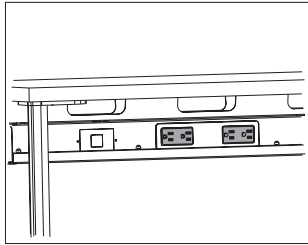
- 42** 42" wide
- 48** 48" wide
- 54** 54" wide
- 60** 60" wide
- 66** 66" wide
- 72** 72" wide

#### Prices for Steps 1-3.

	<b>42</b>	<b>48</b>	<b>54</b>	<b>60</b>	<b>66</b>	<b>72</b>
<b>HZ740. 08</b>	\$140	147	154	169	175	182
<b>10</b>	\$140	147	154	169	175	182

OE1 Receptacle, 4-Circuit, 15  
Amp (Package of 4)

HZ750.



**Product Information**

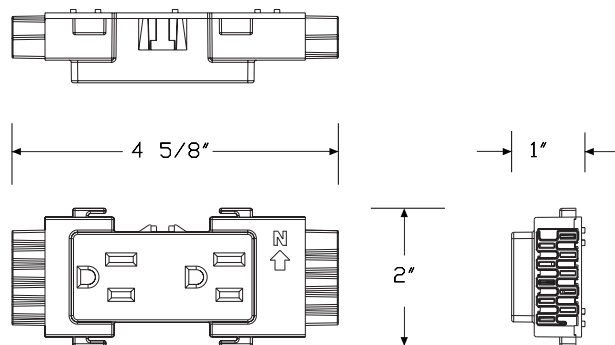
**Description**

This 15-amp receptacle locks into the power harness. It is UL Listed and Canadian UL Listed. Package contains 4 receptacles.

**Notes**

OE1 modular power products are only compatible with other OE1 modular products.

**Dimensions**



**Specification Information**

**Step 1.**

**HZ750.**

**Step 2. Configuration**

- AN** 8-wire duplex, shared neutral, circuit a
- BN** 8-wire duplex, shared neutral, circuit b
- CN** 8-wire duplex, shared neutral, circuit c
- DN** 8-wire duplex, shared neutral, circuit d
- AG** 8-wire duplex, shared neutral, circuit a, isolated ground
- BG** 8-wire duplex, shared neutral, circuit b, isolated ground
- CG** 8-wire duplex, shared neutral, circuit c, isolated ground
- DG** 8-wire duplex, shared neutral, circuit d, isolated ground
- 1N** 10-wire duplex, independent neutral, circuit 1
- 2N** 10-wire duplex, independent neutral, circuit 2
- 3N** 10-wire duplex, independent neutral, circuit 3
- 4N** 10-wire duplex, independent neutral, circuit 4
- 1G** 10-wire duplex, independent neutral, circuit 1, isolated ground
- 2G** 10-wire duplex, independent neutral, circuit 2, isolated ground
- 3G** 10-wire duplex, independent neutral, circuit 3, isolated ground
- 4G** 10-wire duplex, independent neutral, circuit 4, isolated ground

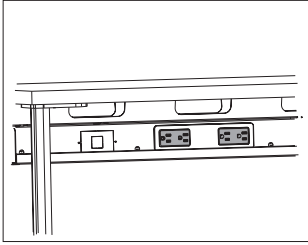
**Prices for Steps 1-2.**

<b>HZ750. AN</b>	\$165
<b>BN</b>	\$165
<b>CN</b>	\$165
<b>DN</b>	\$165
<b>AG</b>	\$165
<b>BG</b>	\$165
<b>CG</b>	\$165
<b>DG</b>	\$165
<b>1N</b>	\$165
<b>2N</b>	\$165
<b>3N</b>	\$165
<b>4N</b>	\$165
<b>1G</b>	\$165
<b>2G</b>	\$165
<b>3G</b>	\$165
<b>4G</b>	\$165

**Step 3. Finish**

<b>UBK</b> ultra black (CP)	+ \$0
<b>BK</b> black	+ \$0

OE1 Controlled Receptacle, HZ760.  
4-Circuit, 15 Amp (Package of 4)



**Product Information**

**Description**

A controlled receptacle should be used for any receptacle that is under automated control by the energy management system. This 15-amp receptacle locks into the power harness. It is UL Listed and Canadian UL Listed. Package contains 4 receptacles.

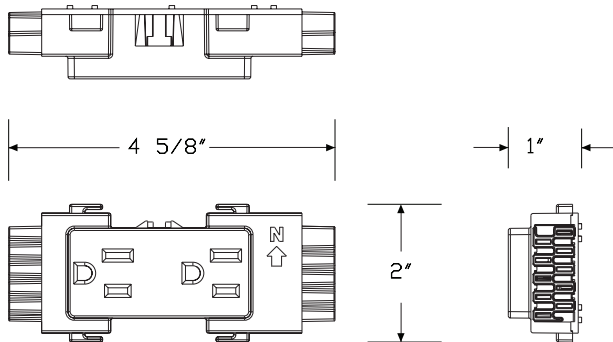
**Notes**

This receptacle does not have any built-in control. It just has the controlled labeling. Receptacle must be controlled by some other means.

Receptacle depth is 1".

OE1 modular power products are only compatible with other OE1 modular products.

**Dimensions**



OE1 Fixed Height Tables

**Specification Information**

**Step 1.**

**HZ760.**

**Step 2. Configuration**

- AN** 8-wire duplex, shared neutral, circuit a
- BN** 8-wire duplex, shared neutral, circuit b
- CN** 8-wire duplex, shared neutral, circuit c
- DN** 8-wire duplex, shared neutral, circuit d
- AG** 8-wire duplex, shared neutral, circuit a, isolated ground
- BG** 8-wire duplex, shared neutral, circuit b, isolated ground
- CG** 8-wire duplex, shared neutral, circuit c, isolated ground
- DG** 8-wire duplex, shared neutral, circuit d, isolated ground
- 1N** 10-wire duplex, independent neutral, circuit 1
- 2N** 10-wire duplex, independent neutral, circuit 2
- 3N** 10-wire duplex, independent neutral, circuit 3
- 4N** 10-wire duplex, independent neutral, circuit 4
- 1G** 10-wire duplex, independent neutral, circuit 1, isolated ground
- 2G** 10-wire duplex, independent neutral, circuit 2, isolated ground
- 3G** 10-wire duplex, independent neutral, circuit 3, isolated ground
- 4G** 10-wire duplex, independent neutral, circuit 4, isolated ground

**Prices for Steps 1-2.**

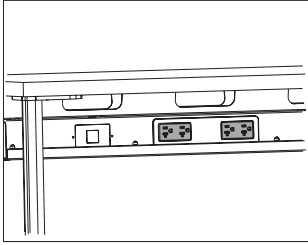
<b>HZ760. AN</b>	\$161
<b>BN</b>	\$161
<b>CN</b>	\$161
<b>DN</b>	\$161
<b>AG</b>	\$161
<b>BG</b>	\$161
<b>CG</b>	\$161
<b>DG</b>	\$161
<b>1N</b>	\$161
<b>2N</b>	\$161
<b>3N</b>	\$161
<b>4N</b>	\$161
<b>1G</b>	\$161
<b>2G</b>	\$161
<b>3G</b>	\$161
<b>4G</b>	\$161

**Step 3. Finish**

<b>UBK</b> ultra black (CP)	+\$0
<b>BK</b> black	+\$0

# OE1 Receptacle, 20 Amp

HZ770.



## Product Information

### Description

This 20-amp receptacle locks into the power harness. It provides power to equipment with a 20-amp standard plug head or cap. It also accepts 15-amp standard plug heads or caps. It is UL Listed and Canadian UL Listed. Package contains 1 receptacle.

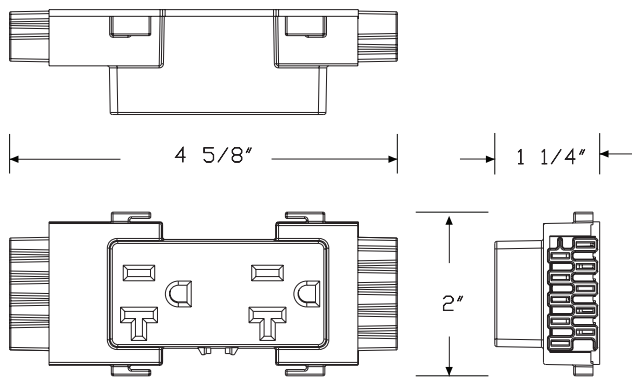
### Notes

Avoid overloading circuit by ensuring total connected load does not exceed 16 amps. If 1 piece of equipment requires all available power, do not use receptacle's second outlet or install additional receptacles on that circuit. In many cases, equipment requiring this receptacle will use all available power.

Receptacle depth is 1 1/4".

OE1 modular power products are only compatible with other OE1 modular products.

## Dimensions



## Specification Information

### Step 1.

**HZ770.**

### Step 2. Configuration

<b>AN</b>	8-wire duplex, shared neutral, circuit a
<b>BN</b>	8-wire duplex, shared neutral, circuit b
<b>AG</b>	8-wire duplex, shared neutral, circuit a, isolated ground
<b>BG</b>	8-wire duplex, shared neutral, circuit b, isolated ground
<b>1N</b>	10-wire duplex, independent neutral, circuit 1
<b>2N</b>	10-wire duplex, independent neutral, circuit 2
<b>1G</b>	10-wire duplex, independent neutral, circuit 1, isolated ground
<b>2G</b>	10-wire duplex, independent neutral, circuit 2, isolated ground

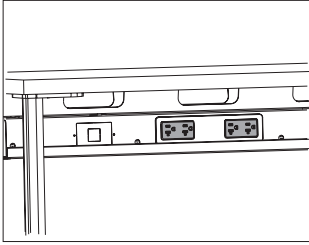
### Prices for Steps 1-2.

<b>HZ770. AN</b>	\$63
<b>BN</b>	\$63
<b>AG</b>	\$63
<b>BG</b>	\$63
<b>1N</b>	\$63
<b>2N</b>	\$63
<b>1G</b>	\$63
<b>2G</b>	\$63

### Step 3. Finish

<b>UBK</b>	ultra black (CP)	+\$0
<b>BK</b>	black	+\$0

# OE1 Controlled Receptacle, 20 Amp HZ780.



OE1 Fixed Height Tables

## Product Information

**Description**  
 A controlled receptacle should be used for any receptacle that is under automated control by the energy management system. This 20-amp receptacle locks into the power harness. It provides power to equipment with a 20-amp standard plug head or cap. It also accepts 15-amp standard plug heads or caps. It is UL Listed and Canadian UL Listed. Package contains 1 receptacle.

## Notes

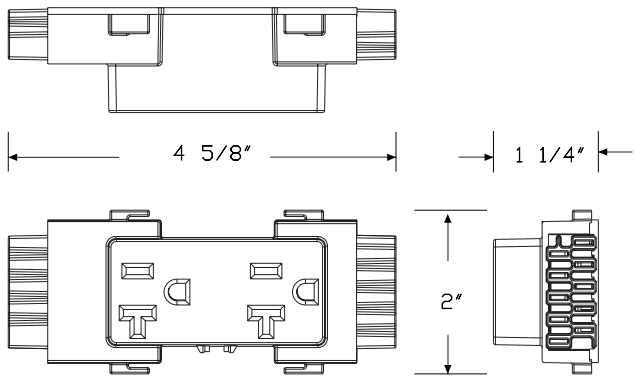
Avoid overloading circuit by ensuring total connected load does not exceed 16 amps. If 1 piece of equipment requires all available power, do not use receptacle's second outlet or install additional receptacles on that circuit. In many cases, equipment requiring this receptacle will use all available power.

This receptacle does not have any built-in control. It just has the controlled labeling. Receptacle must be controlled by some other means.

Receptacle depth is 1 1/4".

OE1 modular power products are only compatible with other OE1 modular products.

## Dimensions



## Specification Information

### Step 1.

**HZ780.**

### Step 2. Configuration

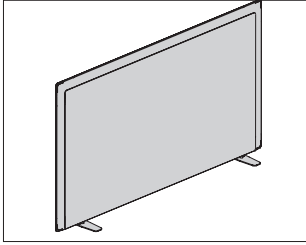
- AN** 8-wire duplex, shared neutral, circuit a
- BN** 8-wire duplex, shared neutral, circuit b
- AG** 8-wire duplex, shared neutral, circuit a, isolated ground
- BG** 8-wire duplex, shared neutral, circuit b, isolated ground
- 1N** 10-wire duplex, independent neutral, circuit 1
- 2N** 10-wire duplex, independent neutral, circuit 2
- 1G** 10-wire duplex, independent neutral, circuit 1, isolated ground
- 2G** 10-wire duplex, independent neutral, circuit 2, isolated ground

### Prices for Steps 1-2.

<b>HZ780. AN</b>	\$63
<b>BN</b>	\$63
<b>AG</b>	\$63
<b>BG</b>	\$63
<b>1N</b>	\$63
<b>2N</b>	\$63
<b>1G</b>	\$63
<b>2G</b>	\$63

### Step 3. Finish

<b>UBK</b> ultra black (CP)	+\$0
<b>BK</b> black	+\$0



**Product Information**

**Description**

This movable, tackable screen sits on top of work surfaces to extend the overall height and provide boundary and privacy on tables, benches and systems products. It has a frameless all-fabric design and is freestanding. Base finish available in folkstone grey or black.

**Notes**

Datum heights reflect placement on 29"-high fixed-height work surface and align with Canvas datum lines. Screen can be used on fixed, level work surface.

Specify width of screen to match width of work surface.

Screen heights are nominal. Actual screen heights are: 12<sup>1</sup>/<sub>2</sub>" (14), 16<sup>1</sup>/<sub>2</sub>" (18), and 23<sup>1</sup>/<sub>2</sub>" (25).

Screen accepts Customer's Own Material (COM). Yardage is estimated for directional, 54" wide fabrics.

For vertical fabric direction (T, E):

Height—Yardage

14—1.17

18—1.42

25—1.83

For horizontal fabric direction (R, D):

Width—Yardage

42—1.51

48—1.70

54—1.89

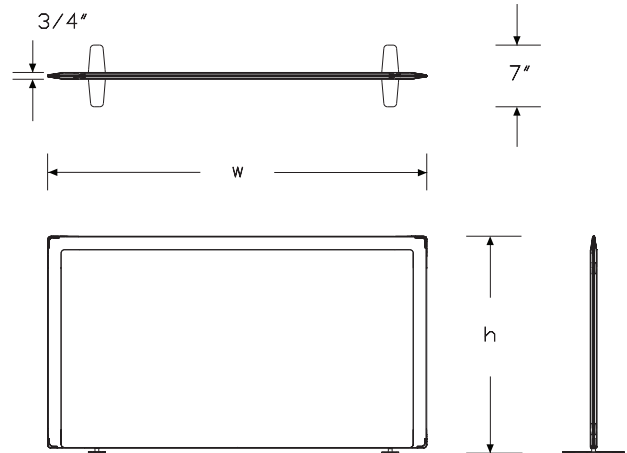
60—2.08

66—2.27

72—2.46

For information on multiple quantities or directional fabrics, contact COM Department. See Order Information in appendices.

**Dimensions**



OE1 Screens

**Specification Information**

Step 1.

**Y1141.**

Step 2. Height

<b>14</b>	14" high (to reach 42" datum)
<b>18</b>	18" high (to reach 46" datum)
<b>25</b>	25" high (to reach 53" datum)

Step 3. Width

<b>42</b>	42" wide
<b>48</b>	48" wide
<b>54</b>	54" wide
<b>60</b>	60" wide
<b>66</b>	66" wide
<b>72</b>	72" wide

Step 4. Surface Material

*For 42" wide (42) or 48" wide (48)*

<b>D</b>	tackable fabric, horizontal with MicrobeCare™
<b>E</b>	tackable fabric with MicrobeCare™
<b>R</b>	tackable fabric, horizontal
<b>T</b>	tackable fabric

*For 54" wide (54), 60" wide (60), 66" wide (66), or 72" wide (72)*

<b>D</b>	tackable fabric, horizontal with MicrobeCare™
<b>R</b>	tackable fabric, horizontal

Prices for Steps 1-4.

	<b>D</b>	<b>E</b>	<b>R</b>	<b>T</b>
<b>Y1141. 14 42</b>	\$799	799	732	732
<b>48</b>	\$824	824	757	757
<b>54</b>	\$848	—	782	—
<b>60</b>	\$874	—	808	—
<b>66</b>	\$914	—	846	—
<b>72</b>	\$965	—	898	—
<b>18 42</b>	\$965	965	898	898
<b>48</b>	\$989	989	923	923
<b>54</b>	\$1015	—	949	—
<b>60</b>	\$1042	—	975	—
<b>66</b>	\$1079	—	1012	—
<b>72</b>	\$1129	—	1061	—

<b>25 42</b>	\$1096	1096	1030	1030
<b>48</b>	\$1121	1121	1055	1055
<b>54</b>	\$1148	—	1081	—
<b>60</b>	\$1174	—	1107	—
<b>66</b>	\$1211	—	1144	—
<b>72</b>	\$1261	—	1195	—

Step 5. Base Finish

<b>8Q</b>	folkstone grey (CP)	+\$0
<b>BK</b>	black	+\$0
<b>UBK</b>	ultra black (CP)	+\$0

Step 6. Fabric

*For 14" high (to reach 42" datum) (14) with 42" wide (42)*

Price Category B	+\$149
Price Category 1	+\$0
Price Category 2	+\$36
Price Category 3	+\$86
Price Category 4	+\$155
Price Category 5	+\$263
Price Category C	+\$203
Price Category E	+\$305

*For 14" high (to reach 42" datum) (14) with 48" wide (48)*

Price Category B	+\$169
Price Category 1	+\$0
Price Category 2	+\$41
Price Category 3	+\$98
Price Category 4	+\$174
Price Category 5	+\$296
Price Category C	+\$228
Price Category E	+\$344

*For 18" high (to reach 46" datum) (18) or 25" high (to reach 53"*

*datum) (25) with 42" wide (42)*

Price Category B	+\$149
Price Category 1	+\$0
Price Category 2	+\$36
Price Category 3	+\$86
Price Category 4	+\$155
Price Category 5	+\$263
Price Category C	+\$203
Price Category E	+\$305



<i>For 18" high (to reach 46" datum) (18) or 25" high (to reach 53" datum) (25) with 48" wide (48)</i>	
Price Category B	+\$169
Price Category 1	+\$0
Price Category 2	+\$41
Price Category 3	+\$98
Price Category 4	+\$174
Price Category 5	+\$296
Price Category C	+\$228
Price Category E	+\$344

<i>For 14" high (to reach 42" datum) (14) with 54" wide (54)</i>	
Price Category B	+\$197
Price Category 1	+\$0
Price Category 2	+\$48
Price Category 3	+\$115
Price Category 4	+\$204
Price Category 5	+\$347
Price Category C	+\$266
Price Category E	+\$403

<i>For 14" high (to reach 42" datum) (14) with 60" wide (60)</i>	
Price Category B	+\$217
Price Category 1	+\$0
Price Category 2	+\$52
Price Category 3	+\$126
Price Category 4	+\$224
Price Category 5	+\$382
Price Category C	+\$294
Price Category E	+\$444

<i>For 14" high (to reach 42" datum) (14) with 66" wide (66)</i>	
Price Category B	+\$236
Price Category 1	+\$0
Price Category 2	+\$56
Price Category 3	+\$138
Price Category 4	+\$245
Price Category 5	+\$418
Price Category C	+\$320
Price Category E	+\$484

<i>For 14" high (to reach 42" datum) (14) with 72" wide (72)</i>	
Price Category B	+\$256
Price Category 1	+\$0
Price Category 2	+\$61
Price Category 3	+\$149
Price Category 4	+\$265
Price Category 5	+\$451
Price Category C	+\$347
Price Category E	+\$523

<i>For 18" high (to reach 46" datum) (18) or 25" high (to reach 53" datum) (25) with 54" wide (54)</i>	
Price Category B	+\$197
Price Category 1	+\$0
Price Category 2	+\$48
Price Category 3	+\$115
Price Category 4	+\$204
Price Category 5	+\$347
Price Category C	+\$266
Price Category E	+\$403

<i>For 18" high (to reach 46" datum) (18) or 25" high (to reach 53" datum) (25) with 60" wide (60)</i>	
Price Category B	+\$217
Price Category 1	+\$0
Price Category 2	+\$52
Price Category 3	+\$126
Price Category 4	+\$224
Price Category 5	+\$382
Price Category C	+\$294
Price Category E	+\$444

<i>For 18" high (to reach 46" datum) (18) or 25" high (to reach 53" datum) (25) with 66" wide (66)</i>	
Price Category B	+\$236
Price Category 1	+\$0
Price Category 2	+\$56
Price Category 3	+\$138
Price Category 4	+\$245
Price Category 5	+\$418
Price Category C	+\$320
Price Category E	+\$484

OE1 Movable Screen, Pari *continued*

---

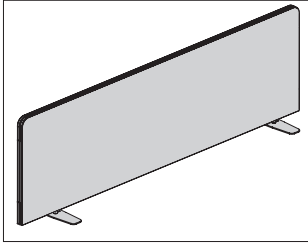
*For 18" high (to reach 46" datum) (18) or 25" high (to reach 53" datum) (25) with 72" wide (72)*

---

Price Category B	+\$256
Price Category 1	+\$0
Price Category 2	+\$61
Price Category 3	+\$149
Price Category 4	+\$265
Price Category 5	+\$451
Price Category C	+\$347
Price Category E	+\$523

**OE1 Screens**

OE1 Movable Screen, Flat Edge Y1142.



**Product Information**

**Description**

This movable, tackable screen sits on top of work surfaces to extend the overall height and provide boundary and privacy on tables, benches and systems products. It has a frameless all-fabric design with a flat edge and is freestanding. Base finish available in folkstone grey or black.

**Notes**

Datum heights reflect placement on 29"-high fixed-height work surface and align with Canvas datum lines. Screen can be used on fixed, level work surface.

Specify width of screen to match width of work surface.

Screen heights are nominal. Actual screen heights are: 12<sup>1</sup>/<sub>2</sub>" (14), 16<sup>1</sup>/<sub>2</sub>" (18), and 23<sup>1</sup>/<sub>2</sub>" (25).

Screen accepts Customer's Own Material (COM). Yardage is estimated for directional, 54" wide fabrics.

For vertical fabric direction (T, E):

Height—Yardage

14—1.17

18—1.42

25—1.83

For horizontal fabric direction (R, D):

Width—Yardage

42—1.51

48—1.70

54—1.89

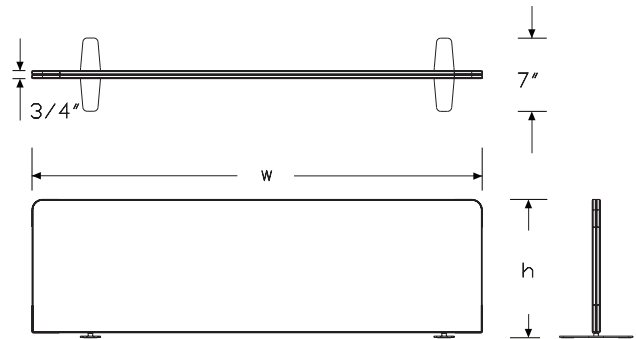
60—2.08

66—2.27

72—2.46

For information on multiple quantities or directional fabrics, contact COM Department. See Order Information in appendices.

**Dimensions**



OE1 Screens

# OE1 Movable Screen, Flat Edge

continued

OE1 Screens

## Specification Information

### Step 1.

**Y1142.**

### Step 2. Height

<b>14</b>	14" high (to reach 42" datum)
<b>18</b>	18" high (to reach 46" datum)
<b>25</b>	25" high (to reach 53" datum)

### Step 3. Width

<b>42</b>	42" wide
<b>48</b>	48" wide
<b>54</b>	54" wide
<b>60</b>	60" wide
<b>66</b>	66" wide
<b>72</b>	72" wide

### Step 4. Surface Material

*For 42" wide (42) or 48" wide (48)*

<b>D</b>	tackable fabric, horizontal with MicrobeCare™
<b>E</b>	tackable fabric with MicrobeCare™
<b>R</b>	tackable fabric, horizontal
<b>T</b>	tackable fabric

*For 54" wide (54), 60" wide (60), 66" wide (66), or 72" wide (72)*

<b>D</b>	tackable fabric, horizontal with MicrobeCare™
<b>R</b>	tackable fabric, horizontal

### Prices for Steps 1-4.

	<b>D</b>	<b>E</b>	<b>R</b>	<b>T</b>
<b>Y1142. 14 42</b>	\$629	629	563	563
<b>48</b>	\$655	655	589	589
<b>54</b>	\$681	—	614	—
<b>60</b>	\$706	—	639	—
<b>66</b>	\$745	—	678	—
<b>72</b>	\$797	—	729	—
<b>18 42</b>	\$757	757	690	690
<b>48</b>	\$782	782	716	716
<b>54</b>	\$808	—	741	—
<b>60</b>	\$834	—	767	—
<b>66</b>	\$872	—	805	—
<b>72</b>	\$923	—	857	—

<b>25 42</b>	\$860	860	793	793
<b>48</b>	\$884	884	817	817
<b>54</b>	\$909	—	843	—
<b>60</b>	\$935	—	869	—
<b>66</b>	\$975	—	907	—
<b>72</b>	\$1024	—	958	—

### Step 5. Base Finish

<b>8Q</b>	folkstone grey (CP)	+\$0
<b>BK</b>	black	+\$0
<b>UBK</b>	ultra black (CP)	+\$0

### Step 6. Fabric

*For 14" high (to reach 42" datum) (14) with 42" wide (42)*

Price Category 1	+\$0
Price Category 2	+\$36
Price Category 3	+\$86
Price Category 4	+\$155
Price Category 5	+\$263
Price Category B	+\$149
Price Category C	+\$203
Price Category E	+\$305

*For 14" high (to reach 42" datum) (14) with 48" wide (48)*

Price Category 1	+\$0
Price Category 2	+\$41
Price Category 3	+\$98
Price Category 4	+\$174
Price Category 5	+\$296
Price Category B	+\$169
Price Category C	+\$228
Price Category E	+\$344

*For 18" high (to reach 46" datum) (18) or 25" high (to reach 53"*

*datum) (25) with 42" wide (42)*

Price Category 1	+\$0
Price Category 2	+\$36
Price Category 3	+\$86
Price Category 4	+\$155
Price Category 5	+\$263
Price Category B	+\$149
Price Category C	+\$203
Price Category E	+\$305

# OE1 Movable Screen, Flat Edge

continued

<i>For 18" high (to reach 46" datum) (18) or 25" high (to reach 53" datum) (25) with 48" wide (48)</i>	
Price Category 1	+\$0
Price Category 2	+\$41
Price Category 3	+\$98
Price Category 4	+\$174
Price Category 5	+\$296
Price Category B	+\$169
Price Category C	+\$228
Price Category E	+\$344

<i>For 14" high (to reach 42" datum) (14) with 54" wide (54)</i>	
Price Category 1	+\$0
Price Category 2	+\$48
Price Category 3	+\$115
Price Category 4	+\$204
Price Category 5	+\$347
Price Category B	+\$197
Price Category C	+\$266
Price Category E	+\$403

<i>For 14" high (to reach 42" datum) (14) with 60" wide (60)</i>	
Price Category 1	+\$0
Price Category 2	+\$52
Price Category 3	+\$126
Price Category 4	+\$224
Price Category 5	+\$382
Price Category B	+\$217
Price Category C	+\$294
Price Category E	+\$444

<i>For 14" high (to reach 42" datum) (14) with 66" wide (66)</i>	
Price Category 1	+\$0
Price Category 2	+\$56
Price Category 3	+\$138
Price Category 4	+\$245
Price Category 5	+\$418
Price Category B	+\$236
Price Category C	+\$320
Price Category E	+\$484

<i>For 14" high (to reach 42" datum) (14) with 72" wide (72)</i>	
Price Category 1	+\$0
Price Category 2	+\$61
Price Category 3	+\$149
Price Category 4	+\$265
Price Category 5	+\$451
Price Category B	+\$256
Price Category C	+\$347
Price Category E	+\$523

<i>For 18" high (to reach 46" datum) (18) or 25" high (to reach 53" datum) (25) with 54" wide (54)</i>	
Price Category 1	+\$0
Price Category 2	+\$48
Price Category 3	+\$115
Price Category 4	+\$204
Price Category 5	+\$347
Price Category B	+\$197
Price Category C	+\$266
Price Category E	+\$403

<i>For 18" high (to reach 46" datum) (18) or 25" high (to reach 53" datum) (25) with 60" wide (60)</i>	
Price Category 1	+\$0
Price Category 2	+\$52
Price Category 3	+\$126
Price Category 4	+\$224
Price Category 5	+\$382
Price Category B	+\$217
Price Category C	+\$294
Price Category E	+\$444

<i>For 18" high (to reach 46" datum) (18) or 25" high (to reach 53" datum) (25) with 66" wide (66)</i>	
Price Category 1	+\$0
Price Category 2	+\$56
Price Category 3	+\$138
Price Category 4	+\$245
Price Category 5	+\$418
Price Category B	+\$236
Price Category C	+\$320
Price Category E	+\$484

OE1 Screens

# OE1 Movable Screen, Flat Edge

*continued*

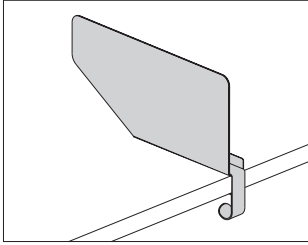
---

*For 18" high (to reach 46" datum) (18) or 25" high (to reach 53" datum) (25) with 72" wide (72)*

---

Price Category 1	+\$0
Price Category 2	+\$61
Price Category 3	+\$149
Price Category 4	+\$265
Price Category 5	+\$451
Price Category B	+\$256
Price Category C	+\$347
Price Category E	+\$523

**OE1 Screens**



**Product Information**

**Description**

This metal screen attaches to the front of a work surface to provide division and boundary between workers. Steel construction allows for attachment of magnets and Ubi name tag. Screen available with liner in choice of colors. Attachment thumb screw included.

**Notes**

Screen attaches to square edge surfaces with minimum 1" up to 1 1/2" nominal thickness.

Screen height is nominal. Actual screen height is 8.7".

Liner is available on flange side (righthand side when attached to work surface) only.

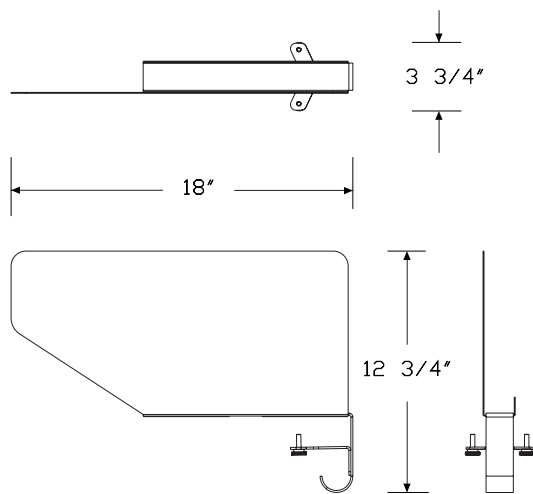
Screen provides boundary on rectangular surface work tables where the legs are positioned under the worksurface by 3 1/2".

Order the following accessories separately:

- Ubi name tag (YT410.)
- Rare earth magnets (Y7234.)

Screen is recommended for use on the OE1 communal tables (single and double sided), OE1 rectangular tables, Renew™ Link single-sided and back-to-back rectangular height-adjustable benches (DU1A, DU2A), and on any other benching or table surface with appropriate thickness requirement and that use rectangular work surfaces. It is not recommended for use on Renew Link back-to-back trapezoid height-adjustable bench (DU2T).

**Dimensions**



**Specification Information**

**Step 1.**

**Y1143.**

**Step 2. Height**

**9** 9" high

**Step 3. Depth**

**18** 18" deep

**Prices for Steps 1-3.**

**Y1143. 9** **18**  
\$205

**Step 4. Liner**

**N** no liner +\$0  
**L** liner (flange side only) +\$70

**Step 5. Liner Fabric**

*For liner (flange side only) (L)*

Price Category 4 +\$0

**Step 6. Finish**

**Metallic Paint**

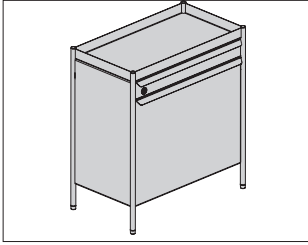
**611** beige mist metallic (CP) +\$0  
**613** silver (CP) +\$0  
**SNA** satin aluminum +\$10  
**SNB** satin bronze +\$10  
**SNC** satin carbon +\$10

**Sand Texture Paint**

**UBK** ultra black (CP) +\$0  
**8Q** folkstone grey (CP) +\$0  
**91** white (CP) +\$0  
**98** studio white (CP) +\$0  
**BK** black +\$0  
**G1** graphite (CP) +\$0  
**WL** warm stone (CP) +\$0  
**DB3** glacier +\$8  
**DN2** nightfall +\$8  
**DR1** canyon +\$8  
**OLF** olive +\$8

OE1 Freestanding Storage  
Trolley, Individual

HZ800.



**Product Information**

**Description**

This individual OE1 Workspace Collection™ Freestanding Storage Trolley is painted metal and comes on glides. It provides 3 configurations of a top shelf/bottom shelf, top drawer/bottom shelf, or top drawer/bottom tip-out bin. Options include a lock and file divider.

**Notes**

Drawer contains full-extension slides. Tip-out bin (DT) with filing (F) option accommodates front-to-back filing.

Filing option (F) includes a rail to hang files and a divider. Divider color matches storage unit color.

Order optional accessories separately:

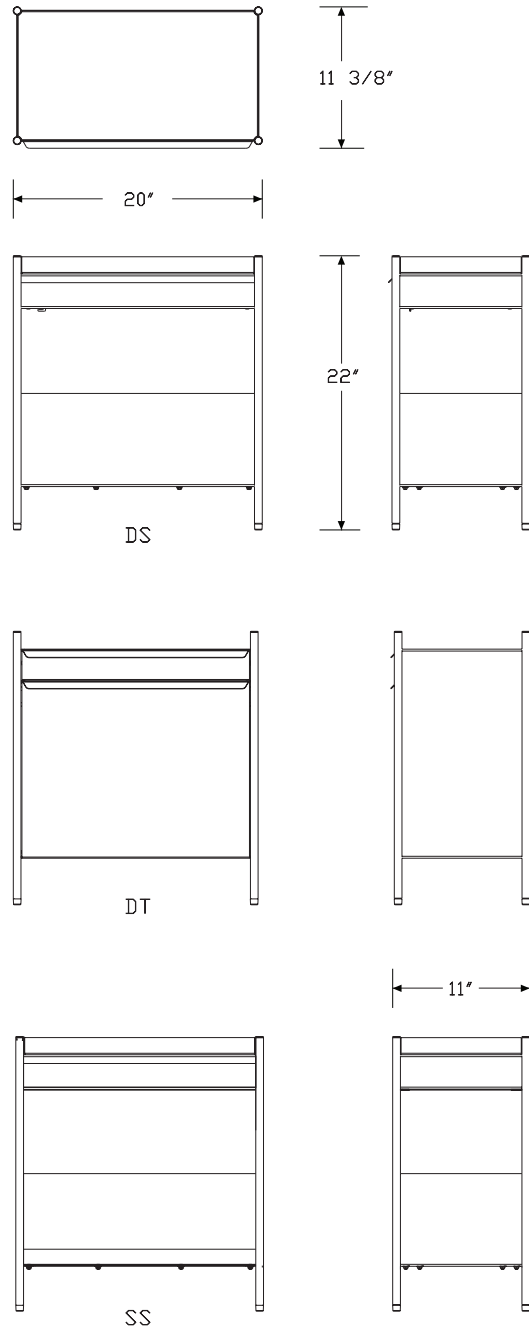
- OE1 storage liner (HZ840.)
- OE1 cushion top (HZ850.)
- OE1 bag hook (HZ870.)
- OE1 file divider add-on (HZ880.)
- OE1 storage organizer (HZ860.)

For keyed-alike locks, order lock plugs separately. See Keyed-Alike Information in appendices.

See planning guide for additional information.

OE1 Storage

**Dimensions**





# OE1 Freestanding Storage Trolley, Individual *continued*

## Specification Information

### Step 1.

**HZ800.**

### Step 2. Width

**20** 20" wide

### Step 3. Depth

**11** 11" deep

### Step 4. Configuration

**SS** top shelf/bottom shelf

**DS** top drawer/bottom shelf

**DT** top drawer/bottom tip-out bin

### Step 5. Lock

#### For top shelf/bottom shelf (SS)

**N** no lock

#### For top drawer/bottom shelf (DS) or top drawer/bottom tip-out bin (DT)

**L** lock

**N** no lock

### Step 6. Interior Option

#### For top drawer/bottom tip-out bin (DT)

**F** filing option

**N** no interior option

#### For top shelf/bottom shelf (SS) or top drawer/bottom shelf (DS)

**N** no interior option

### Prices for Steps 1-6.

	SSNN	DSLN	DSNN	DTLF	DTLN	DTNF
<b>HZ800. 20 11</b>	\$891	1072	997	1470	1383	1397

### DTNN

<b>HZ800. 20 11</b>	\$1310
---------------------	--------

### Step 7. Finish

#### Metallic Paint

**611** beige mist metallic (CP) +\$0

**613** silver (CP) +\$0

**SNA** satin aluminum +\$30

**SNB** satin bronze +\$30

**SNC** satin carbon +\$30

#### Sand Texture Paint

**UBK** ultra black (CP) +\$0

**8Q** folkstone grey (CP) +\$0

**91** white (CP) +\$0

**98** studio white (CP) +\$0

**BK** black +\$0

**G1** graphite (CP) +\$0

**WL** warm stone (CP) +\$0

**DB3** glacier +\$20

**DN2** nightfall +\$20

**DR1** canyon +\$20

**OLF** olive +\$20

### Step 8. Lock Option

#### For lock (L)

**KA** keyed alike, black +\$0

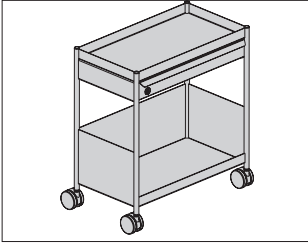
**KQ** keyed alike, chrome +\$0

**KD** keyed differently, black +\$0

**KC** keyed differently, chrome +\$0

OE1 Mobile Storage Trolley,  
Individual

HZ820.



**Product Information**

**Description**

This individual OE1 Workspace Collection™ Mobile Storage Trolley is painted metal and comes on casters. It provides 3 configurations of a top shelf/bottom shelf, top drawer/bottom shelf, or top drawer/bottom tip-out bin. Options include a lock and file divider.

**Notes**

Drawer contains full-extension slides. Tip-out bin (DT) with filing (F) option accommodates front-to-back filing.

Divider color matches storage unit color.

Order optional accessories separately:

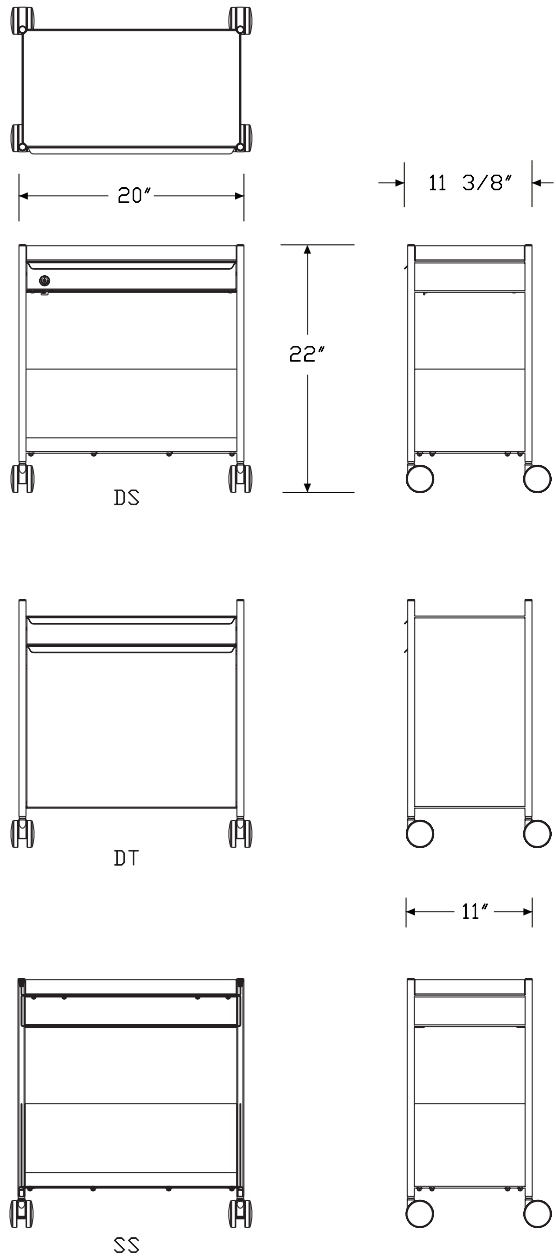
- OE1 storage liner (HZ840.)
- OE1 cushion top (HZ850.)
- OE1 bag hook (HZ870.)
- OE1 file divider add-on (HZ880.)
- OE1 storage organizer (HZ860.)

For keyed-alike locks, order lock plugs separately. See Keyed-Alike Information in appendices.

See planning guide for additional information.

OE1 Storage

**Dimensions**



# OE1 Mobile Storage Trolley, Individual *continued*

## Specification Information

### Step 1.

**HZ820.**

### Step 2. Width

**20** 20" wide

### Step 3. Depth

**11** 11" deep

### Step 4. Configuration

**SS** top shelf/bottom shelf

**DS** top drawer/bottom shelf

**DT** top drawer/bottom tip-out bin

### Step 5. Lock

#### For top shelf/bottom shelf (SS)

**N** no lock

#### For top drawer/bottom shelf (DS) or top drawer/bottom tip-out bin (DT)

**L** lock

**N** no lock

### Step 6. Interior Option

#### For top drawer/bottom tip-out bin (DT)

**F** filing option

**N** no interior option

#### For top shelf/bottom shelf (SS) or top drawer/bottom shelf (DS)

**N** no interior option

### Prices for Steps 1-6.

	SSNN	DSLN	DSNN	DTLF	DTLN	DTNF
<b>HZ820. 20 11</b>	\$866	1046	971	1445	1358	1370

	DTNN
<b>HZ820. 20 11</b>	\$1284

### Step 7. Finish

#### Metallic Paint

**611** beige mist metallic (CP) +\$0

**613** silver (CP) +\$0

**SNA** satin aluminum +\$30

**SNB** satin bronze +\$30

**SNC** satin carbon +\$30

#### Sand Texture Paint

**UBK** ultra black (CP) +\$0

**8Q** folkstone grey (CP) +\$0

**91** white (CP) +\$0

**98** studio white (CP) +\$0

**BK** black +\$0

**G1** graphite (CP) +\$0

**WL** warm stone (CP) +\$0

**DB3** glacier +\$20

**DN2** nightfall +\$20

**DR1** canyon +\$20

**OLF** olive +\$20

### Step 8. Lock Option

#### For lock (L)

**KA** keyed alike, black +\$0

**KQ** keyed alike, chrome +\$0

**KD** keyed differently, black +\$0

**KC** keyed differently, chrome +\$0



# OE1 Mobile Storage Trolley, Individual-Extended *continued*

## Specification Information

### Step 1.

**HZ825.**

### Step 2. Width

**40** 40" wide

### Step 3. Depth

**11** 11" deep

### Step 4. Configuration Left

**SS** top shelf/bottom shelf

**DS** top drawer/bottom shelf

**DT** top drawer/bottom tip-out bin

### Step 5. Configuration Right

**SS** top shelf/bottom shelf

**DS** top drawer/bottom shelf

**DT** top drawer/bottom tip-out bin

### Step 6. Lock

*For top shelf/bottom shelf (SS) with top shelf/bottom shelf (SS)*

**N** no lock

*For top shelf/bottom shelf (SS), top drawer/bottom shelf (DS), or top drawer/bottom tip-out bin (DT) with top shelf/bottom shelf (SS), top drawer/bottom shelf (DS), or top drawer/bottom tip-out bin (DT)*

**N** no lock

**L** lock

*For top drawer/bottom shelf (DS) or top drawer/bottom tip-out bin (DT) with top drawer/bottom shelf (DS) or top drawer/bottom tip-out bin (DT)*

**N** no lock

**L** lock

### Step 7. Interior Option

*For top shelf/bottom shelf (SS), top drawer/bottom shelf (DS), or top drawer/bottom tip-out bin (DT) with top shelf/bottom shelf (SS), top drawer/bottom shelf (DS), or top drawer/bottom tip-out bin (DT)*

**N** no interior option

**F** filing option

*For top drawer/bottom tip-out bin (DT) with top drawer/bottom tip-out bin (DT)*

**N** no interior option

**F** filing option

*For top shelf/bottom shelf (SS) or top drawer/bottom shelf (DS) with top shelf/bottom shelf (SS) or top drawer/bottom shelf (DS)*

**N** no interior option

### Prices for Steps 1-7.

	SSSSNN	SSDSNN	SSDSLNN	SSDTNN	SSDTNF	SSDTLN
<b>HZ825. 40 11</b>	\$1835	1940	2014	2357	2444	2432

	SSDTLF	DSSSNN	DSSSLN	DSDSNN	DSDSLNN	DSDTNN
<b>HZ825. 40 11</b>	\$2519	1940	2014	2045	2193	2463

	DSDTNF	DSDTLN	DSDTLF	DTSSNN	DTSSNF	DTSSLN
<b>HZ825. 40 11</b>	\$2549	2612	2697	2357	2444	2432

	DTSSLF	DTDSNN	DTDSNF	DTDSLNN	DTDSLNF	DTDTNN
<b>HZ825. 40 11</b>	\$2519	2463	2549	2612	2697	2881

	DTDTNF	DTDTLN	DTDTLF
<b>HZ825. 40 11</b>	\$3054	3030	3203

### Step 8. Finish

#### Metallic Paint

**611** beige mist metallic (CP) +\$0

**613** silver (CP) +\$0

**SNA** satin aluminum +\$60

**SNB** satin bronze +\$60

**SNC** satin carbon +\$60

#### Sand Texture Paint

**UBK** ultra black (CP) +\$0

**8Q** folkstone grey (CP) +\$0

**91** white (CP) +\$0

**98** studio white (CP) +\$0

**BK** black +\$0

**G1** graphite (CP) +\$0

**WL** warm stone (CP) +\$0

**DB3** glacier +\$50

**DN2** nightfall +\$50

**DR1** canyon +\$50

**OLF** olive +\$50

OE1 Mobile Storage Trolley,  
Individual-Extended *continued*

---

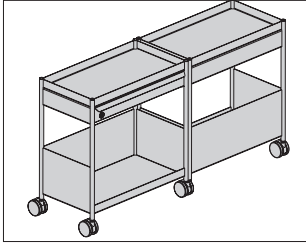
Step 9. Lock Option  
*For lock (L)*

<b>KA</b>	keyed alike, black	+\$0
<b>KQ</b>	keyed alike, chrome	+\$0
<b>KD</b>	keyed differently, black	+\$0
<b>KC</b>	keyed differently, chrome	+\$0

**OE1 Storage**

# OE1 Mobile Storage Trolley, Shared-Extended

HZ830.



## Product Information

### Description

This shared-extended OE1 Workspace Collection™ Mobile Storage Trolley is painted metal and comes on casters. It provides 3 configurations of a top shelf/bottom shelf, top drawer/bottom shelf, or top drawer/bottom tip-out bin, mirrored on each side. Storage is intended to be shared between 2 users. Options include a lock and file divider.

### Notes

Configuration selection will be the same on both sides.

Drawer contains full-extension slides. Tip-out bin (DT) with filing (F) option accommodates front-to-back filing.

Divider color matches storage unit color.

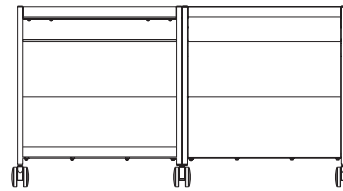
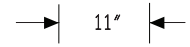
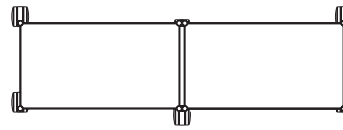
Order optional accessories separately:

- OE1 storage liner (HZ840.)
- OE1 cushion top (HZ850.)
- OE1 bag hook (HZ870.)
- OE1 file divider add-on (HZ880.)
- OE1 storage organizer (HZ860.)

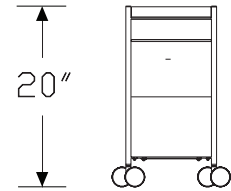
For keyed-alike locks, order lock plugs separately. See Keyed-Alike Information in appendices.

See planning guide for additional information.

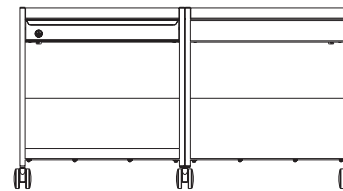
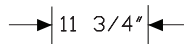
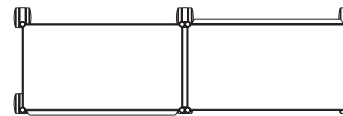
## Dimensions



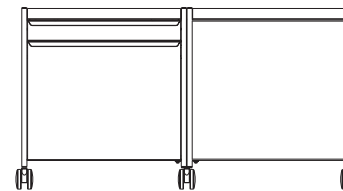
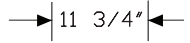
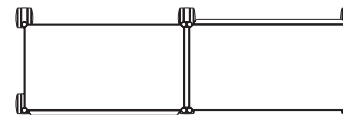
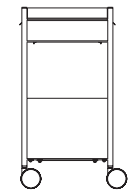
SS



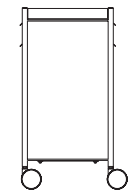
20"



DS



DT



OE1 Storage

OE1 Mobile Storage Trolley,  
Shared-Extended *continued*

OE1 Storage

**Specification Information**

Step 1.

**HZ830.**

Step 2. Width

**40** 40" wide

Step 3. Depth

**11** 11" deep

Step 4. Configuration

**SS** top shelf/bottom shelf

**DS** top drawer/bottom shelf

**DT** top drawer/bottom tip-out bin

Step 5. Lock

*For top shelf/bottom shelf (SS)*

**N** no lock

*For top drawer/bottom shelf (DS) or top drawer/bottom tip-out bin (DT)*

**L** lock

**N** no lock

Step 6. Interior Option

*For top drawer/bottom tip-out bin (DT)*

**F** filing option

**N** no interior option

*For top shelf/bottom shelf (SS) or top drawer/bottom shelf (DS)*

**N** no interior option

Prices for Steps 1-6.

	<b>SSNN</b>	<b>DSLN</b>	<b>DSNN</b>	<b>DTLF</b>	<b>DTLN</b>	<b>DTNF</b>
<b>HZ830. 40 11</b>	\$1835	2193	2045	3203	3030	3054

	<b>DTNN</b>
<b>HZ830. 40 11</b>	\$2881

Step 7. Finish

Metallic Paint

**611** beige mist metallic (CP) +\$0

**613** silver (CP) +\$0

**SNA** satin aluminum +\$60

**SNB** satin bronze +\$60

**SNC** satin carbon +\$60

Sand Texture Paint

**UBK** ultra black (CP) +\$0

**8Q** folkstone grey (CP) +\$0

**91** white (CP) +\$0

**98** studio white (CP) +\$0

**BK** black +\$0

**G1** graphite (CP) +\$0

**WL** warm stone (CP) +\$0

**DB3** glacier +\$50

**DN2** nightfall +\$50

**DR1** canyon +\$50

**OLF** olive +\$50

Step 8. Lock Option

*For lock (L)*

**KA** keyed alike, black +\$0

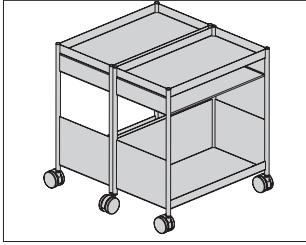
**KQ** keyed alike, chrome +\$0

**KD** keyed differently, black +\$0

**KC** keyed differently, chrome +\$0



# OE1 Mobile Storage Trolley, Dual HZ835.



## Product Information

### Description

This dual OE1 Workspace Collection™ Mobile Storage Trolley is painted metal and comes on casters. It provides 3 configurations of a top shelf/bottom shelf, top drawer/bottom shelf, or top drawer/bottom tip-out bin, mirrored on both sides. Options include a lock and file divider.

### Notes

Configuration selection will be the same on both sides.

Drawer contains full-extension slides. Tip-out bin (DT) with filing (F) option accommodates front-to-back filing.

Divider color matches storage unit color.

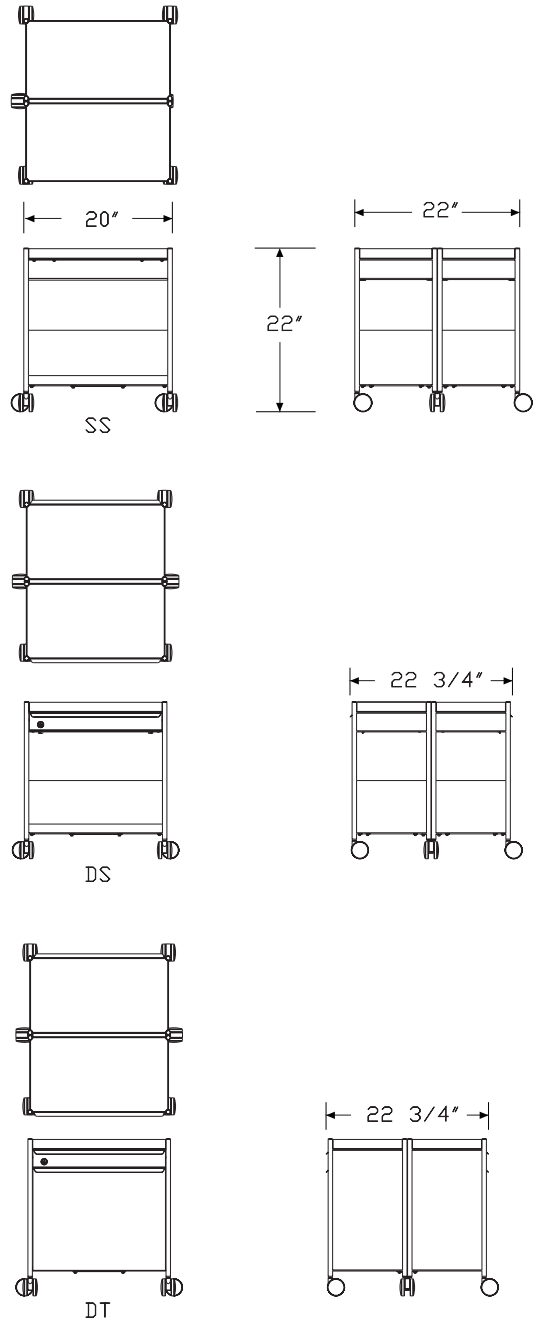
Order optional accessories separately:

- OE1 storage liner (HZ840.)
- OE1 cushion top (HZ850.)
- OE1 bag hook (HZ870.)
- OE1 file divider add-on (HZ880.)
- OE1 storage organizer (HZ860.)

For keyed-alike locks, order lock plugs separately. See Keyed-Alike Information in appendices.

See planning guide for additional information.

## Dimensions



# OE1 Mobile Storage Trolley, Dual

continued

OE1 Storage

## Specification Information

### Step 1.

**HZ835.**

### Step 2. Width

**20** 20" wide

### Step 3. Depth

**22** 22" deep

### Step 4. Configuration

**SS** top shelf/bottom shelf  
**DS** top drawer/bottom shelf  
**DT** top drawer/bottom tip-out bin

### Step 5. Lock

#### For top shelf/bottom shelf (SS)

**N** no lock

#### For top drawer/bottom shelf (DS) or top drawer/bottom tip-out bin (DT)

**L** lock  
**N** no lock

### Step 6. Interior Option

#### For top drawer/bottom tip-out bin (DT)

**F** filing option  
**N** no interior option

#### For top shelf/bottom shelf (SS) or top drawer/bottom shelf (DS)

**N** no interior option

### Prices for Steps 1-6.

	SSNN	DSLN	DSNN	DTLF	DTLN	DTNF
<b>HZ835. 20 22</b>	\$1835	2193	2045	3203	3030	3054

	DTNN
<b>HZ835. 20 22</b>	\$2881

## Step 7. Finish

### Metallic Paint

<b>611</b>	beige mist metallic (CP)	+\$0
<b>613</b>	silver (CP)	+\$0
<b>SNA</b>	satin aluminum	+\$60
<b>SNB</b>	satin bronze	+\$60
<b>SNC</b>	satin carbon	+\$60

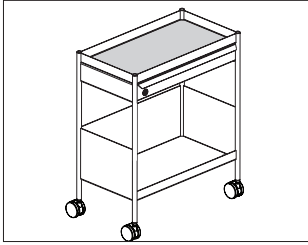
### Sand Texture Paint

<b>UBK</b>	ultra black (CP)	+\$0
<b>8Q</b>	folkstone grey (CP)	+\$0
<b>91</b>	white (CP)	+\$0
<b>98</b>	studio white (CP)	+\$0
<b>BK</b>	black	+\$0
<b>G1</b>	graphite (CP)	+\$0
<b>WL</b>	warm stone (CP)	+\$0
<b>DB3</b>	glacier	+\$50
<b>DN2</b>	nightfall	+\$50
<b>DR1</b>	canyon	+\$50
<b>OLF</b>	olive	+\$50

## Step 8. Lock Option

### For lock (L)

<b>KA</b>	keyed alike, black	+\$0
<b>KQ</b>	keyed alike, chrome	+\$0
<b>KD</b>	keyed differently, black	+\$0
<b>KC</b>	keyed differently, chrome	+\$0



**Product Information**

**Description**

This polyester felt liner comes in 1 size and fits onto a storage trolley top, a top shelf, or bottom shelf. Liner is installed and movable without tools.

**Notes**

Liner ships as a quantity of 1.

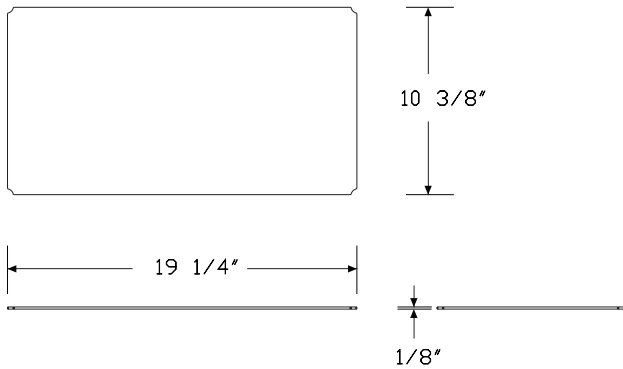
To accommodate a liner on both sides of OE1 individual-extended (HZ825.), shared-extended (HZ830.), or dual (HZ835.) storage trolleys, 2 liners are needed.

Compatible with the following products:

- OE1 freestanding storage trolley, individual (HZ800.)
- OE1 mobile storage trolley, individual (HZ820.)
- OE1 mobile storage trolley, individual-extended (HZ825.)
- OE1 mobile storage trolley, shared-extended (HZ830.)
- OE1 mobile storage trolley, dual (HZ835.)

See planning guide for additional information.

**Dimensions**



**Specification Information**

**Step 1.**

**HZ840.**

**Step 2. Width**

**20** 20" wide

**Step 3. Depth**

**11** 11" deep

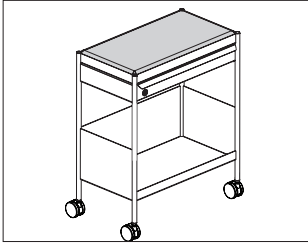
**Prices for Steps 1-3.**

<b>HZ840. 20</b>	<b>11</b>
	\$159

**Step 4. Liner Fabric**

Price Category 4 +\$0

# OE1 Storage Trolley, Cushion Top HZ850.



## Product Information

### Description

This 2" fabric cushion top comes in 1 size and fits onto an OE1 Workspace Collection™ Storage Trolley top.

### Notes

Cushion top ships as a quantity of 1.

To accommodate a cushion top on both sides of OE1 individual-extended (HZ825.), shared-extended (HZ830.), or dual (HZ835.) storage trolleys, 2 cushion tops are needed.

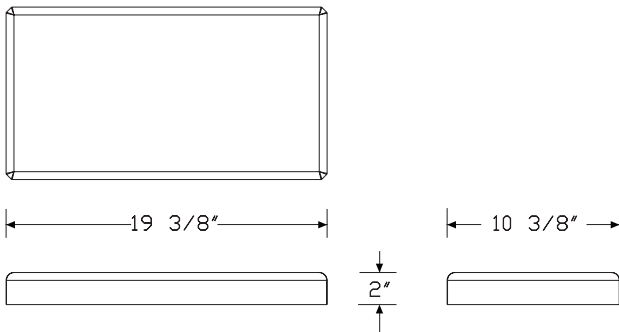
Compatible with the following products:

- OE1 freestanding storage trolley, individual (HZ800.)
- OE1 mobile storage trolley, individual (HZ820.)
- OE1 mobile storage trolley, individual-extended (HZ825.)
- OE1 mobile storage trolley, shared-extended (HZ830.)
- OE1 mobile storage trolley, dual (HZ835.)

Cushion top accepts Customer's Own Material (COM). COM requires 1 yard.

See planning guide for additional information.

### Dimensions



## Specification Information

### Step 1.

**HZ850.**

### Step 2. Width

**20** 20" wide

### Step 3. Depth

**11** 11" deep

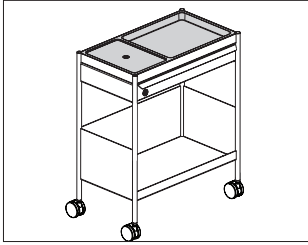
### Prices for Steps 1-3.

	<b>11</b>
<b>HZ850. 20</b>	<b>\$290</b>

### Step 4. Fabric

Price Category 10	+\$1945
Price Category 1	+\$0
Price Category 2	+\$77
Price Category 3	+\$108
Price Category 4	+\$143
Price Category 5	+\$185
Price Category 7	+\$259
Price Category 9	+\$1721
Price Category B	+\$53
Price Category C	+\$72
Price Category D	+\$92
Price Category E	+\$110
Price Category F	+\$143
Price Category G	+\$186
Price Category H	+\$226
Price Category I	+\$265
Price Category L	+\$384
Price Category X	+\$845
Price Category Y	+\$888

OE1 Storage Trolley, Organizer HZ860.



**Product Information**

**Description**

This molded plastic organizer comes in 1 size and fits onto an OE1 Workspace Collection™ Storage Trolley top.

**Notes**

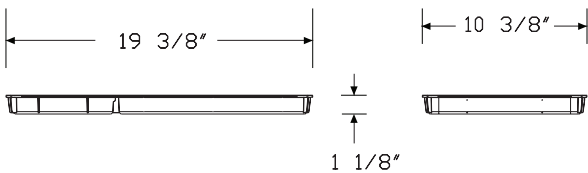
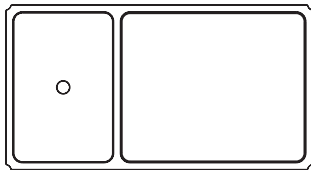
Organizer ships as a quantity of 1.

Compatible with the following products:

- OE1 freestanding storage trolley, individual (HZ800.)
- OE1 mobile storage trolley, individual (HZ820.)
- OE1 mobile storage trolley, individual-extended (HZ825.)
- OE1 mobile storage trolley, shared-extended (HZ830.)
- OE1 mobile storage trolley, dual (HZ835.)

See planning guide for additional information.

**Dimensions**



**Specification Information**

**Step 1.**

**HZ860.**

**Step 2. Width**

**20** 20" wide

**Step 3. Depth**

**11** 11" deep

**Prices for Steps 1-3.**

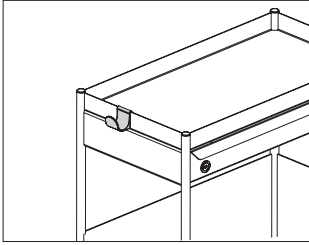
	<b>11</b>
<b>HZ860. 20</b>	<b>\$201</b>

**Step 4. Organizer Finish**

<b>8Q</b>	folkstone grey (CP)	+\$0
<b>BK</b>	black	+\$0
<b>UBK</b>	ultra black (CP)	+\$0

OE1 Storage

OE1 Storage Trolley, Bag Hook HZ870.



**Product Information**

**Description**  
 This plastic bag hook attaches to the top of an OE1 Workspace Collection™ Storage Trolley without the use of tools.

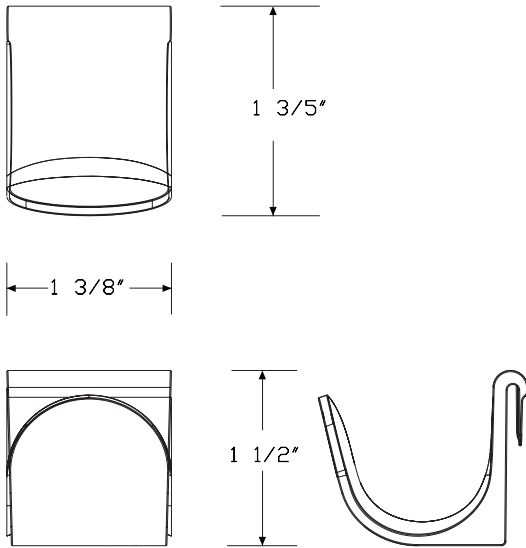
**Notes**

- Bag hook ships as a quantity of 1.
  - Bag hook holds up to 35 pounds.
  - Compatible with the following products:
    - OE1 freestanding storage trolley, individual (HZ800.)
    - OE1 mobile storage trolley, individual (HZ820.)
    - OE1 mobile storage trolley, individual-extended (HZ825.)
    - OE1 mobile storage trolley, shared-extended (HZ830.)
    - OE1 mobile storage trolley, dual (HZ835.)
- See planning guide for additional information.

**Specification Information**

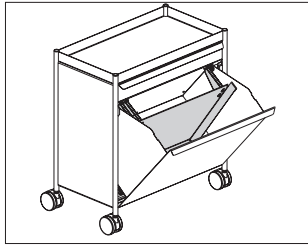
<b>Step 1.</b>		
<b>HZ870.</b>		\$20
<b>Step 2. Finish</b>		
<b>8Q</b>	folkstone grey (CP)	+\$0
<b>91</b>	white (CP)	+\$0
<b>98</b>	studio white (CP)	+\$0
<b>BK</b>	black	+\$0
<b>DB3</b>	glacier	+\$10
<b>DN2</b>	nightfall	+\$10
<b>DR1</b>	canyon	+\$10
<b>OLF</b>	olive	+\$10
<b>UBK</b>	ultra black (CP)	+\$0

**Dimensions**



OE1 Storage

# OE1 Storage Trolley, File Divider Add-On HZ880.



## Product Information

### Description

This painted metal file divider add-on is for use within a top drawer/ bottom tip-out bin configuration in an OE1 Workspace Collection™ Storage Trolley. It can be added to the product at any time.

### Notes

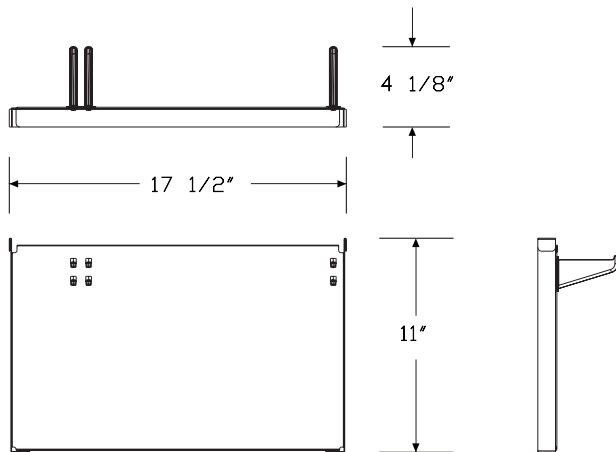
File divider add-on ships as a quantity of 1.

Compatible with the following products:

- OE1 freestanding storage trolley, individual (HZ800.)
- OE1 mobile storage trolley, individual (HZ820.)
- OE1 mobile storage trolley, individual-extended (HZ825.)
- OE1 mobile storage trolley, shared-extended (HZ830.)
- OE1 mobile storage trolley, dual (HZ835.)

See planning guide for additional information.

### Dimensions



## Specification Information

### Step 1.

**HZ880.** \$108

### Step 2. Finish

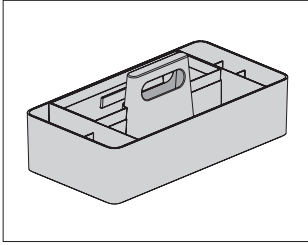
#### Metallic Paint

<b>611</b>	beige mist metallic (CP)	+\$0
<b>613</b>	silver (CP)	+\$0
<b>SNA</b>	satin aluminum	+\$10
<b>SNB</b>	satin bronze	+\$10
<b>SNC</b>	satin carbon	+\$10

#### Sand Texture Paint

<b>UBK</b>	ultra black (CP)	+\$0
<b>8Q</b>	folkstone grey (CP)	+\$0
<b>91</b>	white (CP)	+\$0
<b>98</b>	studio white (CP)	+\$0
<b>BK</b>	black	+\$0
<b>G1</b>	graphite (CP)	+\$0
<b>WL</b>	warm stone (CP)	+\$0
<b>DB3</b>	glacier	+\$8
<b>DN2</b>	nightfall	+\$8
<b>DR1</b>	canyon	+\$8
<b>OLF</b>	olive	+\$8

OE1 Storage

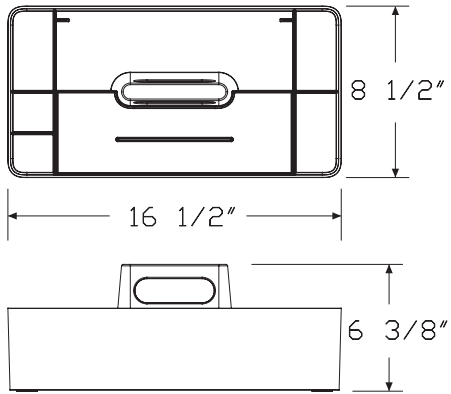


**Product Information**

**Description**  
 This molded plastic workbox comes in 1 size and fits onto an OE1 Storage Trolley.

**Notes**  
 Order OE1 storage trolley (HZ800., HZ82x., HZ83x.) separately.

**Dimensions**



OE1 Storage

**Specification Information**

**Step 1.**  
**Y7236.**

**Step 2. Width**  
**17** 17" wide

**Step 3. Depth**  
**09** 9" deep

**Prices for Steps 1-3.**

	<b>09</b>
<b>Y7236. 17</b>	<b>\$246</b>

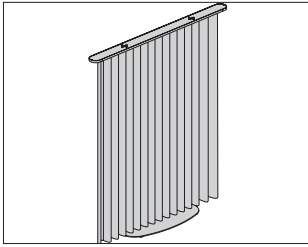
**Step 4. Workbox Finish**

<b>8Q</b>	folkstone grey (CP)	+\$0
<b>DB3</b>	glacier	+\$0
<b>DN3</b>	nightfall lt	+\$0



OE1 Freestanding Curtain -  
Straight

HZ600.



**Product Information**

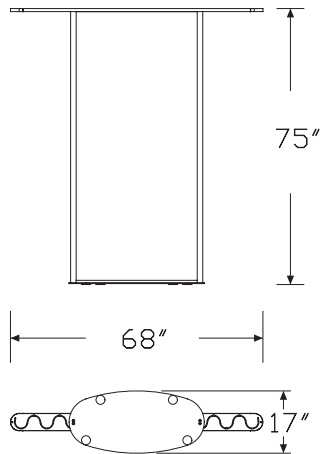
**Description**

This freestanding fabric curtain hangs on a frame. Non-friction adhesive pads on bottom of frame base provide for mobility.

**Notes**

Fabrics in price categories 2 and 5 have a seam.  
All fabrics for this curtain meet NFPA 701 flame retardancy standards.  
See planning guide for additional information.

**Dimensions**



**Specification Information**

**Step 1.**

**HZ600.**

**Step 2. Height**

**75** 75" high

**Step 3. Width**

**68** 68" wide

**Prices for Steps 1-3.**

	<b>68</b>
<b>HZ600. 75</b>	\$2915

**Step 4. Frame/Base Finish**

**Sand Texture Paint**

<b>8Q</b>	folkstone grey (CP)	+\$0
<b>91</b>	white (CP)	+\$0
<b>98</b>	studio white (CP)	+\$0
<b>BK</b>	black	+\$0
<b>DB3</b>	glacier	+\$8
<b>DN2</b>	nightfall	+\$8
<b>DR1</b>	canyon	+\$8
<b>OLF</b>	olive	+\$8
<b>UBK</b>	ultra black (CP)	+\$0

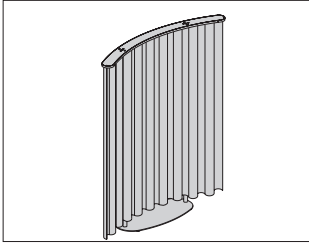
**Step 5. Fabric**

Price Category 2	+\$0
Price Category 5	+\$297
Price Category 8	+\$346

OE1 Community Elements

OE1 Freestanding Curtain -  
Curved

HZ610.



**Product Information**

**Description**

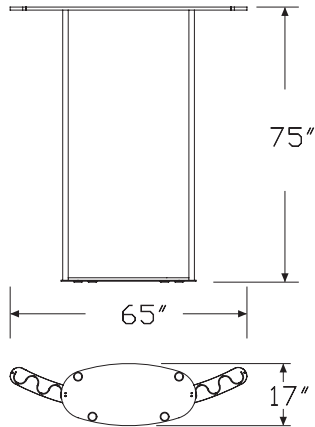
This freestanding curved fabric curtain hangs on a frame. Non-friction adhesive pads on bottom of frame base provide for mobility.

**Notes**

Fabrics in price categories 2 and 5 have a seam.

All fabrics for this curtain meet NFPA 701 flame retardancy standards. See planning guide for additional information.

**Dimensions**



OE1 Community Elements

**Specification Information**

**Step 1.**

**HZ610.**

**Step 2. Height**

**75** 75" high

**Step 3. Width**

**68** 68" wide

**Prices for Steps 1-3.**

**68**

**HZ610. 75**

\$3270

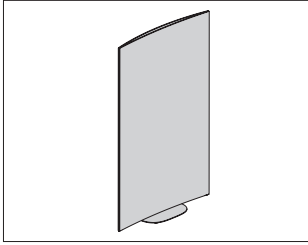
**Step 4. Frame/Base Finish**

**Sand Texture Paint**

<b>8Q</b>	folkstone grey (CP)	+\$0
<b>91</b>	white (CP)	+\$0
<b>98</b>	studio white (CP)	+\$0
<b>BK</b>	black	+\$0
<b>DB3</b>	glacier	+\$8
<b>DN2</b>	nightfall	+\$8
<b>DR1</b>	canyon	+\$8
<b>OLF</b>	olive	+\$8
<b>UBK</b>	ultra black (CP)	+\$0

**Step 5. Fabric**

Price Category 2	+\$0
Price Category 5	+\$297
Price Category 8	+\$346



**Product Information**

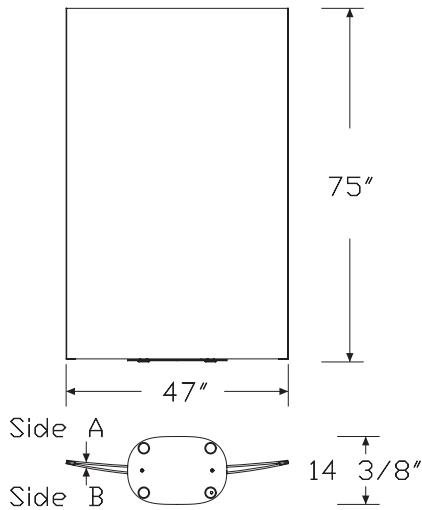
**Description**

This screen is a user-movable, fabric-covered concave boundary screen. Fabrics must be specified for each side of the screen. Base plate has non-friction glides for mobility.

**Notes**

For tackable fabric, fabric direction is horizontal (railroaded).  
 Fabric-covered screen accepts Customer's Own Material (COM).  
 Width (surface material)—Yardage  
 48—2.44 yards per side  
 For information on multiple quantities or non-directional fabrics, contact COM Department. See Order Information in appendices.  
 See planning guide for additional information.

**Dimensions**



**Specification Information**

**Step 1.**

**HZ620.**

**Step 2. Height**

**75** 75" high

**Step 3. Width**

**48** 48" wide

**Prices for Steps 1-3.**

	<b>48</b>
<b>HZ620. 75</b>	<b>\$2158</b>

**Step 4. Frame/Base Finish**

**Sand Texture Paint**

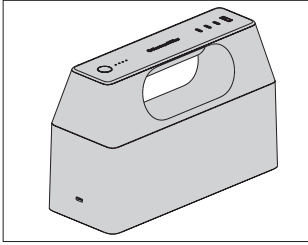
<b>8Q</b>	folkstone grey (CP)	+\$0
<b>91</b>	white (CP)	+\$0
<b>98</b>	studio white (CP)	+\$0
<b>BK</b>	black	+\$0
<b>DB3</b>	glacier	+\$0
<b>DN2</b>	nightfall	+\$0
<b>DR1</b>	canyon	+\$0
<b>OLF</b>	olive	+\$0
<b>UBK</b>	ultra black (CP)	+\$0

**Step 5. Fabric - Side A**

Price Category 1	+\$0
Price Category 2	+\$22
Price Category 3	+\$46
Price Category 4	+\$86
Price Category 5	+\$140
Price Category C	+\$177

**Step 6. Fabric - Side B**

Price Category 1	+\$0
Price Category 2	+\$22
Price Category 3	+\$46
Price Category 4	+\$86
Price Category 5	+\$140
Price Category C	+\$177



**Product Information**

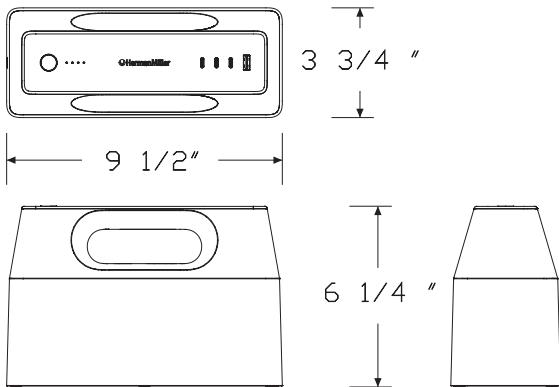
**Description**

This unit is a battery-powered plastic molded power source with 3 USB-C ports and 1 USB-A port. The Powerbox can be charged using a charging cable kit or the separate OE1 Power Tray.

**Notes**

Powerbox pairs with OE1 power tray (HZ640.) to charge 1 or more units.  
 For the no-charging-cable option (NN), the OE1 power tray (HZ640.) must be ordered separately for charging.  
 See planning guide for additional information.

**Dimensions**



OE1 Community Elements

**Specification Information**

**Step 1.**

**HZ630.** [A]

**Step 2. Width**

**04** 04" wide [A]

**Step 3. Depth**

**10** 10" deep [A]

**Prices for Steps 1-3.**

	<b>10</b>
<b>HZ630. 04</b>	\$1643

**Step 4. Charging Option**

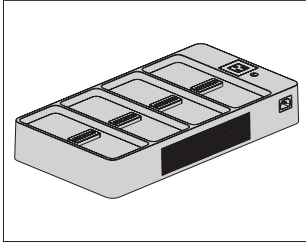
<b>NN</b>	no charging cable [A]	+\$0
<b>CC</b>	charging cable kit [A]	+\$127

**Step 5. Finish**

<b>BK</b>	black [A]	+\$0
<b>UBK</b>	ultra black (CP) [A]	+\$0

# OE1 Power Tray

HZ640.



### Product Information

#### Description

This charging unit is a molded plastic tray capable of charging up to 4 OE1 Powerboxes. It also has 1 AC outlet to provide 120 VAC/60 Hz power from the batteries. Tray comes with the infeed cable to connect tray to a power source. Power tray fits onto an OE1 Storage Trolley.

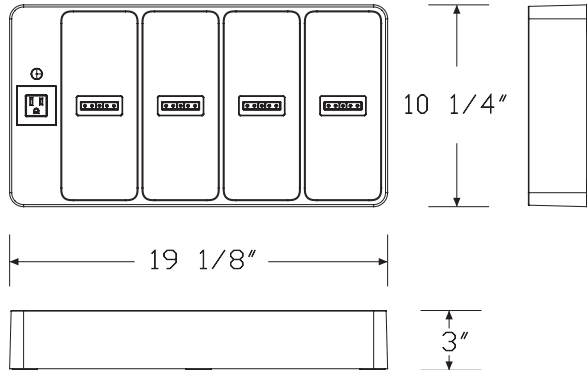
#### Notes

Power tray pairs with up to 4 OE1 powerboxes (HZ630.), ordered separately.

Order OE1 storage trolley (HZ800., HZ82x., HZ83x.) separately.

See planning guide for additional information.

#### Dimensions



### Specification Information

#### Step 1.

**HZ640.** [A]

#### Step 2. Width

**20** 20" wide [A]

#### Step 3. Depth

**11** 11" deep [A]

#### Prices for Steps 1-3.

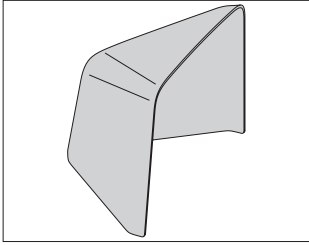
	<b>11</b>
<b>HZ640. 20</b>	\$2158

#### Step 4. Power Tray Finish

<b>BK</b> black [A]	+\$0
<b>UBK</b> ultra black (CP) [A]	+\$0

OE1 Personal Hoodie, Single Pack

Y1148.

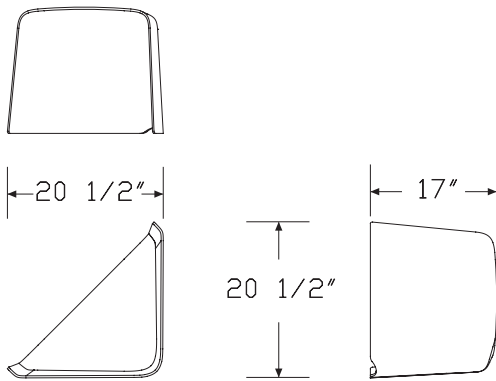


**Product Information**

**Description**  
 This screen is a molded PET personal boundary. Package quantity is 1.

**Notes**  
 See planning guide for additional information.

**Dimensions**



**Specification Information**

**Step 1.**

**Y1148.1**

**Step 2. Height**

**17** 17" high

**Step 3. Width**

**27** 27" wide

**Prices for Steps 1-3.**

**27**

**Y1148.1 17** \$468

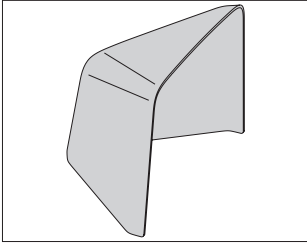
**Step 4. Finish**

**PHA** heathered alpine +\$0

**PHT** heathered twilight +\$0

OE1 Community Elements

OE1 Personal Hoodie, Six Pack Y1148.

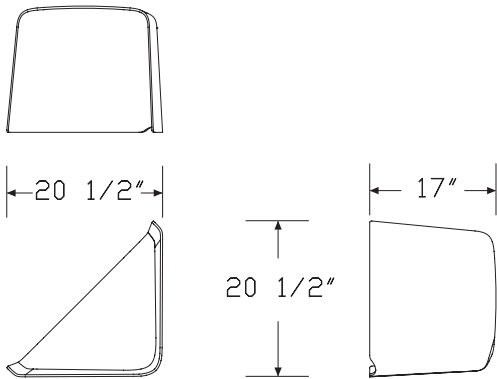


**Product Information**

**Description**  
 This screen is a molded PET personal boundary. Package quantity is 6.

**Notes**  
 See planning guide for additional information.

**Dimensions**



**Specification Information**

**Step 1.**

**Y1148.6**

**Step 2. Height**

**17** 17" high

**Step 3. Width**

**27** 27" wide

**Prices for Steps 1-3.**

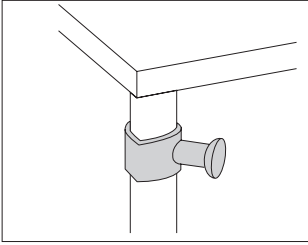
	<b>27</b>
<b>Y1148.6 17</b>	<b>\$2184</b>

**Step 4. Finish**

<b>PHA</b> heathered alpine	+\$0
<b>PHT</b> heathered twilight	+\$0

OE1 Bag Hook, Leg Attached

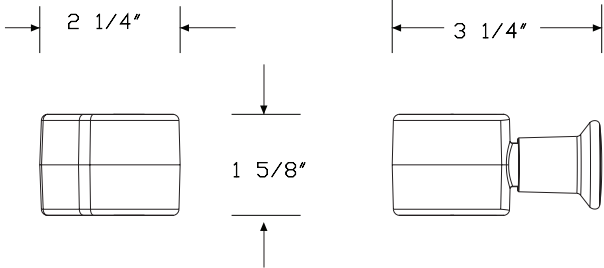
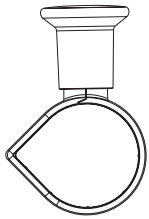
HZ910.



**Product Information**

**Description**  
 This bag hook attaches to an OE1 Workspace Collection™ Teardrop Leg and is intended to hold bags under the work surface. Bag hook is user movable and works on all OE1 teardrop legs.

**Dimensions**



**Specification Information**

**Step 1.**  
**HZ910.** \$40

**Step 2. Finish**

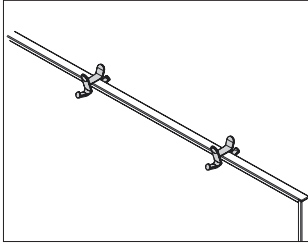
<b>8Q</b>	folkstone grey (CP)	+\$0
<b>BK</b>	black	+\$0
<b>DB3</b>	glacier	+\$10
<b>DN2</b>	nightfall	+\$10
<b>DR1</b>	canyon	+\$10
<b>OLF</b>	olive	+\$10
<b>UBK</b>	ultra black (CP)	+\$0

OE1 Accessories



OE1 Flip Chart Hook, Pair

HZ920.



**Product Information**

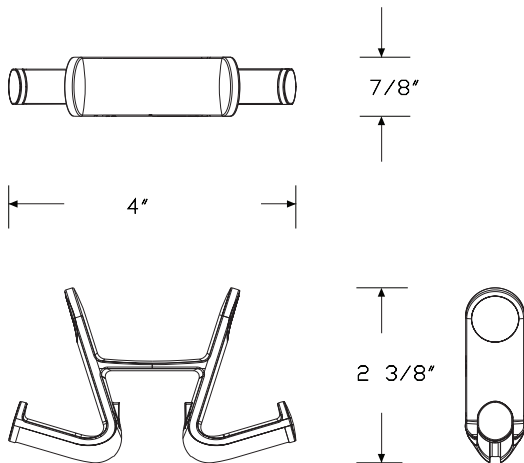
**Description**

These molded plastic flip chart hooks attach to the OE1 Workspace Collection™ Project Board to hold flip chart paper. Paper not included. Package contains 2 separate hooks.

**Notes**

Flip chart hook pair ships with 2 hooks.  
 Use with OE1 project board (HZ210.), ordered separately.  
 See planning guide for additional information.

**Dimensions**



**Specification Information**

**Step 1.**

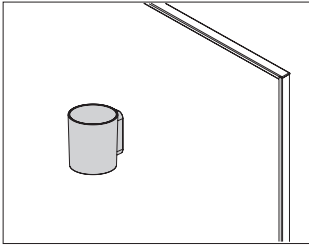
**HZ920.** \$47

**Step 2. Finish**

<b>UBK</b>	ultra black (CP)	+\$0
<b>98</b>	studio white (CP)	+\$0
<b>8Q</b>	folkstone grey (CP)	+\$0
<b>BK</b>	black	+\$0

# OE1 Marker Cup

Y7235.

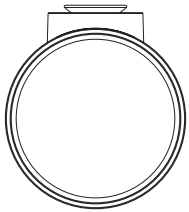


### Product Information

#### Description

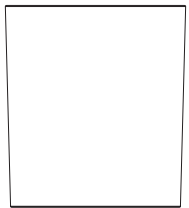
This marker cup comes with 1 cup-style holder, 4 dry erase markers (1 each of black, red, blue, and green), and 1 microfiber towel. The cup attaches to a vertical, hard surface with suction cups or can sit flat on a worksurface.

#### Dimensions

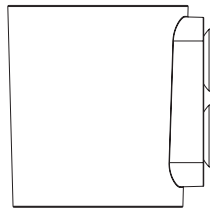


3 3/8"

3 7/8"



3 7/8"



OE1 Accessories

### Specification Information

#### Step 1.

**Y7235.** \$125

#### Step 2. Finish

<b>8Q</b>	folkstone grey (CP)	+\$0
<b>BK</b>	black	+\$0
<b>DB3</b>	glacier	+\$5
<b>DN2</b>	nightfall	+\$5
<b>DR1</b>	canyon	+\$5
<b>OLF</b>	olive	+\$5
<b>UBK</b>	ultra black (CP)	+\$0

# Index by Product Name

<b>OE1 Workspace Collection™</b>	
	page(s)
OE1 Accessory Bridge	83
OE1 Agile Wall, Bottom Shelves	16
OE1 Agile Wall Corner Cover	25
OE1 Agile Wall, Frame with Casters	5
OE1 Agile Wall, Frame with Glides	7
OE1 Agile Wall, Frame with Glides, for Full Height Shelves	9
OE1 Agile Wall, Full Height Shelves	18
OE1 Agile Wall, Lower Tile	13
OE1 Agile Wall, Monitor Mount	20
OE1 Agile Wall, Upper Tile	10
OE1 Bag Hook, Leg Attached	152
OE1 Bridge Connector	85
OE1 Bridge Mounted Screen, Flat Edge	95
OE1 Bridge Mounted Screen, Laminate	100
OE1 Bridge Mounted Screen, Pari	98
OE1 Communal Table Flat Edge Screen, Surface Attached with Modesty	60
OE1 Communal Table Metal Screen, Surface Attached with Modesty	58
OE1 Communal Table Pari Screen, Surface Attached with Modesty	62
OE1 Controlled Receptacle, 4-Circuit, 15 Amp (Package of 4)	116
OE1 Controlled Receptacle, 20 Amp	118
OE1 Curved Screen	147
OE1 End Caps for Accessory Bridge 2/Pkg	84
OE1 Flip Chart Hook, Pair	153
OE1 Freestanding Curtain - Curved	146
OE1 Freestanding Curtain - Straight	145
OE1 Freestanding Storage Trolley, Individual	128
OE1 Ganging Connector	94
OE1 Huddle Table	107
OE1 Leg Cable Manager for Communal Tables	67
OE1 Leg Cable Manager for Seated Height Tables	93
OE1 Marker Cup	154
OE1 Metal Boundary Screen	127
OE1 Micro Pack, 3-Pack	36
OE1 Micro Pack, 4-Pack	39
OE1 Micro Pack Center Screen, 4-Pack, Flat Edge	45
OE1 Micro Pack Center Screen, 4-Pack, Laminate	47
OE1 Micro Pack Center Screen, 4-Pack, Pari	46
OE1 Micro Pack Privacy Screen, 3-Pack	43
OE1 Micro Pack Privacy Screen, Single/4-Pack	42
OE1 Micro Pack Screen Liner	44
OE1 Micro Pack, Single	33
OE1 Mobile Easel Base	22
OE1 Mobile Storage Trolley, Dual	137
OE1 Mobile Storage Trolley, Individual	130

OE1 Mobile Storage Trolley, Individual-Extended	132
OE1 Mobile Storage Trolley, Shared-Extended	135
OE1 Movable Screen, Flat Edge	123
OE1 Movable Screen, Pari	119
OE1 Nook	102
OE1 Nook Liner	105
OE1 One-Piece Seated Communal Table, Single Sided	52
OE1 One-Piece Standing Communal Table, Double Sided	64
OE1 One-Piece Standing Communal Table, Single Sided	49
OE1 Personal Hoodie, Single Pack	150
OE1 Personal Hoodie, Six Pack	151
OE1 Powerbox	148
OE1 Power Entry Cover	112
OE1 Power Entry, Internal Direct Connect	110
OE1 Power Entry, New York	111
OE1 Power Harness	113
OE1 Power Jumper	114
OE1 Power Tray	149
OE1 Project Board	23
OE1 Project Table	89
OE1 Receptacle, 4-Circuit, 15 Amp (Package of 4)	115
OE1 Receptacle, 20 Amp	117
OE1 Rectangular Table	80
OE1 Sit-to-Stand Table, Rectangular Round Corner	30
OE1 Sit-to-Stand Table, Rectangular Square Corner	26
OE1 Sit-to-Stand Table, Round	28
OE1 Sit-to-Stand Table USB C Power Module	32
OE1 Stiffener	79
OE1 Storage Trolley, Bag Hook	142
OE1 Storage Trolley, Cushion Top	140
OE1 Storage Trolley, File Divider Add-On	143
OE1 Storage Trolley, Liner	139
OE1 Storage Trolley, Organizer	141
OE1 Teardrop Leg	75
OE1 Three-Piece Standing Communal Table, Double Sided	68
OE1 Two-Piece Standing Communal Table, Double Sided	72
OE1 Two-Piece Standing Communal Table, Single Sided	55
OE1 Wall Rail Kit	24
OE1 Workbox	144
OE1 Worksurface, Project Table	86
OE1 Worksurface, Rectangle	76



# Index by Product Number



HZ100. OE1 Agile Wall, Frame with Casters	page(s) 5	HZ540. OE1 Bridge Mounted Screen, Pari	98
HZ110. OE1 Agile Wall, Frame with Glides	7	HZ545. OE1 Bridge Mounted Screen, Laminate	100
HZ120. OE1 Agile Wall, Frame with Glides, for Full Height Shelves	9	HZ550S OE1 Worksurface, Project Table	86
HZ130. OE1 Agile Wall, Upper Tile	10	HZ555S OE1 Project Table	89
HZ140. OE1 Agile Wall, Lower Tile	13	HZ560. OE1 Leg Cable Manager for Seated Height Tables	93
HZ150. OE1 Agile Wall, Bottom Shelves	16	HZ565. OE1 Ganging Connector	94
HZ160. OE1 Agile Wall, Full Height Shelves	18	HZ570S OE1 Nook	102
HZ170. OE1 Agile Wall, Monitor Mount	20	HZ575. OE1 Nook Liner	105
HZ200. OE1 Mobile Easel Base	22	HZ580S OE1 Huddle Table	107
HZ210. OE1 Project Board	23	HZ600. OE1 Freestanding Curtain - Straight	145
HZ220. OE1 Wall Rail Kit	24	HZ610. OE1 Freestanding Curtain - Curved	146
HZ230. OE1 Agile Wall Corner Cover	25	HZ620. OE1 Curved Screen	147
HZ270S OE1 Sit-to-Stand Table, Rectangular Square Corner	26	HZ630. OE1 Powerbox	148
HZ275S OE1 Sit-to-Stand Table, Round	28	HZ640. OE1 Power Tray	149
HZ280S OE1 Sit-to-Stand Table, Rectangular Round Corner	30	HZ700. OE1 Power Entry, Internal Direct Connect	110
HZ285. OE1 Sit-to-Stand Table USB C Power Module	32	HZ710. OE1 Power Entry, New York	111
HZ300S OE1 Micro Pack, Single	33	HZ720. OE1 Power Entry Cover	112
HZ310S OE1 Micro Pack, 3-Pack	36	HZ730. OE1 Power Harness	113
HZ320S OE1 Micro Pack, 4-Pack	39	HZ740. OE1 Power Jumper	114
HZ330. OE1 Micro Pack Privacy Screen, Single/4-Pack	42	HZ750. OE1 Receptacle, 4-Circuit, 15 Amp (Package of 4)	115
HZ340. OE1 Micro Pack Privacy Screen, 3-Pack	43	HZ760. OE1 Controlled Receptacle, 4-Circuit, 15 Amp (Package of 4)	116
HZ350. OE1 Micro Pack Screen Liner	44	HZ770. OE1 Receptacle, 20 Amp	117
HZ360. OE1 Micro Pack Center Screen, 4-Pack, Flat Edge	45	HZ780. OE1 Controlled Receptacle, 20 Amp	118
HZ370. OE1 Micro Pack Center Screen, 4-Pack, Pari	46	HZ800. OE1 Freestanding Storage Trolley, Individual	128
HZ380. OE1 Micro Pack Center Screen, 4-Pack, Laminate	47	HZ820. OE1 Mobile Storage Trolley, Individual	130
HZ400S OE1 One-Piece Standing Communal Table, Single Sided	49	HZ825. OE1 Mobile Storage Trolley, Individual-Extended	132
HZ405S OE1 One-Piece Seated Communal Table, Single Sided	52	HZ830. OE1 Mobile Storage Trolley, Shared-Extended	135
HZ410S OE1 Two-Piece Standing Communal Table, Single Sided	55	HZ835. OE1 Mobile Storage Trolley, Dual	137
HZ420. OE1 Communal Table Metal Screen, Surface Attached with Modesty	58	HZ840. OE1 Storage Trolley, Liner	139
HZ430. OE1 Communal Table Flat Edge Screen, Surface Attached with Modesty	60	HZ850. OE1 Storage Trolley, Cushion Top	140
HZ440. OE1 Communal Table Pari Screen, Surface Attached with Modesty	62	HZ860. OE1 Storage Trolley, Organizer	141
HZ450S OE1 One-Piece Standing Communal Table, Double Sided	64	HZ870. OE1 Storage Trolley, Bag Hook	142
HZ460S OE1 Two-Piece Standing Communal Table, Double Sided	72	HZ880. OE1 Storage Trolley, File Divider Add-On	143
HZ470S OE1 Three-Piece Standing Communal Table, Double Sided	68	HZ910. OE1 Bag Hook, Leg Attached	152
HZ480. OE1 Leg Cable Manager for Communal Tables	67	HZ920. OE1 Flip Chart Hook, Pair	153
HZ500. OE1 Teardrop Leg	75	Y1141. OE1 Movable Screen, Pari	119
HZ505S OE1 Worksurface, Rectangle	76	Y1142. OE1 Movable Screen, Flat Edge	123
HZ510. OE1 Stiffener	79	Y1143. OE1 Metal Boundary Screen	127
HZ515S OE1 Rectangular Table	80	Y1148. OE1 Personal Hoodie, Single Pack	150
HZ520. OE1 Accessory Bridge	83	Y1148. OE1 Personal Hoodie, Six Pack	151
HZ525. OE1 End Caps for Accessory Bridge 2/Pkg	84	Y2235. OE1 Marker Cup	154
HZ530. OE1 Bridge Connector	85	Y2236. OE1 Workbox	144
HZ535. OE1 Bridge Mounted Screen, Flat Edge	95		



## 20-Day or Less/Assigned Lead-Time Order Information

### 20-Day or Less and Assigned Lead-Time Programs

20-day or less and assigned lead-time products are designed for established Herman Miller dealers with pre-approved credit.

Products are distributed from multiple manufacturing facilities across the United States. All products and options not designated by an Assigned Lead-Time icon  will ship in 20 business days or less after being acknowledged by Herman Miller. Products and options designated by an  are on the assigned lead-time program and will ship in 20 days, less than 20 days, or more than 20 days from order acknowledgement.

### Ordering Procedure

Please place orders through Order Manager. If this is not available to you, place orders through mail or fax. Verbal purchase orders will not be accepted.

Order Entry fax number for Meridian®

Filing and Storage: (616) 846 9236.

Order Entry fax number for all other products:

(616) 654 3085.

For more information, contact your Customer Care representative at:  
(866) 854 3048 ext 3400.

### Shipments and Delivery

Per Herman Miller Terms and Conditions.

### Changes and Cancellation

Per Herman Miller Terms and Conditions.





# Keyed-Alike Information

## Keyed-Alike Locks

All components with locks may be specified keyed alike. Products with keyed-alike locks will be shipped with lock chassis installed. Installation of lock cylinders will be on-site according to instructions provided. Herman Miller, Inc., will not be responsible for lock cylinder installation.

When specifying product keyed-alike, include separate lines on your order for the lock cylinders.

**For Action Office®, Ethospace®, and Supplemental products,** list cylinder part number and key number (232092-XXX); select a key number (or numbers) between 226 and 427, excluding numbers 408 and 412.

The following products require a different lock cylinder part number Specify UKY001-XXX for these products only; select a key number (or numbers) between 226 and 427, excluding numbers 408 and 412.

- A3013.
- A3053.
- G5180.
- G5181.
- G5280.

The keys provided in 232092-XXX and UKY001-XXX kits work with either cylinder type, provided the key numbers match.

**For Tu® Storage, Canvas Office Landscape®, and Meridian® Storage, see the following charts.**

Keyed-alike locks are field installed.

To order keyed-alike locks for Action Office® Series 1 and 2 door panels, please contact Customer Care.

A master key can be used to open any lock on an attached or freestanding component. In addition, a removal key or lock change tool is required to remove lock plugs. Customers interested in ordering master keys, removal keys, or lock change tools should contact Customer Care.

For Canvas overhead and lower storage units, specify as follows:

Specification Code	Part Number	Color	Lock Series
KA	1B2JK7-XXX <sup>1</sup>	chrome	UM series 226-427

For Canvas Metal Storage, Meridian Storage, and Tu Storage, specify as follows:

Specification Code	Key Number	Color	Lock Series
KA	232092-XXX <sup>1</sup>	black	UM series 226-427
KA	1B2JK7-XXX <sup>1</sup>	chrome	UM series 226-427

For Canvas Metal Desk overhead units, specify as follows:

Specification Code	Key Number	Color	Lock Series
KA	232092-XXX <sup>1</sup>	black	UM series 226-427
KC	1B2JK7-XXX <sup>1</sup>	chrome	UM series 226-427

**Key Number:**

XXX<sup>1</sup> = a key number between 226 and 427 (excluding 408 and 412)



# Customer's Own Material Order Information — Workspaces

## Customer's Own Material

### Program Overview

The Customer's Own Material (COM) program gives you the option of using textiles other than those listed. Herman Miller will test textiles for application to Herman Miller products and will process orders for those with approved COM textiles only. COM textiles are on assigned lead times.

Omni lists an overview of fabrics that have been tested and indicates whether or not they were approved for application to Herman Miller products.

Specific information on the terms and conditions, testing, approval, and ordering process for COM is listed below. Questions about the COM program and requests for assistance may be directed to your COM representative at:

(616) 654 3400

(866) 854 3048 ext 6543400

### Customer's Own Material Warranty

Herman Miller does not warrant COM textiles. COM textiles are tested for application only; they are not tested for performance. The Herman Miller warranty does apply to the underlying products.

Suppliers of COM textiles are responsible for color consistency within commercial tolerances, UV stability, and resistance to soiling and perspiration.

### Customer's Own Material Pricing

COM is a Category 1 fabric. There are no application charges for COM fabrics.

Ordering and payment for COM textile yardage are the responsibility of the customer and the textile supplier.

If desired, Herman Miller will purchase COM textiles directly from Maharam, Camira, C.F. Stinson, Guilford of Maine, Luna Textiles, Momentum Textiles and Ultrafabrics to simplify ordering and shipment. For this service, refer to the Supplier Connection program in Omni.

### Application Note

Herman Miller does not guarantee that Customer's Own Material (COM) fabric patterns will align across panels/tiles or from one screen to the next. We also do not guarantee that COM fabric designs will be positioned consistently in the same location across several panels, tiles, or screens.

### Textile Approval

1. Select a COM textile and a Herman Miller product.
2. If your textile does not show as tested in Omni, submit a request. You will be required to select a specific color of the textile and feature of the product to test, i.e., seat, back, etc.
3. Herman Miller will notify you of approval or disapproval within 4 days from receipt of the test yardage.

### Ordering Products with COM

1. Refer to the specific products to determine the yardage required for COM textiles.  
*Note: Yardage requirements are based on nondirectional, 54"-wide textiles. 66"-wide textiles are needed for application on 60"-wide products. Additional yardage may be needed due to the unique characteristics of a textile.*
2. Obtain the COM ID# in Omni. If the color you are ordering does not have a COM ID# assigned, click "Create ID".
3. Enter your order on Order Manager in Omni.
4. Upon receipt of your purchase order, Herman Miller will send you a PO acknowledgment.
5. Arrangements must be made for the textiles to be shipped from the supplier to Herman Miller for application to the Herman Miller products. Textiles must be tagged with the assigned identification number and the roll yardage quantity. See Omni for shipping procedures and current shipping addresses or contact a COM representative at (616) 654 3400 or (866) 854 3048 ext 6543400.  
Products will be scheduled for production when COM textiles are received at Herman Miller. Standard lead times in effect at that time will apply.

*Note: If textiles are to be purchased directly by Herman Miller through the Supplier Connection program, Herman Miller will handle the ordering and shipping process and will schedule your order for production upon receipt of your purchase order (dependent on textile availability). Refer to the Supplier Connection program for more information.*

# Customer's Own Material Order Information — Workspaces

*continued*

## Supplier Connection

### Program Overview

The Supplier Connection program is a service offered by Herman Miller to purchase approved COM textiles directly from Maharam, Camira, C.F. Stinson, Guilford of Maine, Luna Textiles, Momentum Textiles and Ultrafabrics. When you select a textile through this program, Herman Miller will facilitate the ordering, scheduling, and shipment of the textile directly with the supplier.

Suppliers included in the Supplier Connection program keep an active inventory of textiles that are pre-approved for application to Herman Miller products. Pre-approval applies only to the suitability of a textile for manufacturing and application to a Herman Miller product. Omni provides an overview of fabrics that have been tested and indicates whether or not they were approved for application to Herman Miller products.

Specific information on the terms and conditions, testing, approval, and ordering process for the Supplier Connection program is listed below. Questions and requests for assistance may be directed to your COM representative at:

(616) 654 3400

(866) 854 3048 ext 6543400

### Supplier Connection Warranty

Textiles purchased by Herman Miller through the Supplier Connection program are COM and are not warranted by Herman Miller. COM textiles are tested for application only; they are not tested for performance. The Herman Miller warranty does apply to the underlying products.

Suppliers of COM textiles are responsible for color consistency within commercial tolerances, UV stability, and resistance to soiling and perspiration.

### Supplier Connection Pricing

Textiles purchased by Herman Miller through the Supplier Connection program are COM. COM is a Category 1 fabric. There are no application charges for COM fabrics.

Payment for textiles purchased by Herman Miller through the Supplier Connection program is the responsibility of the customer or dealer. Herman Miller will invoice the order at a total product cost based on the supplier's price published at the time of the order.

### Textile Approval

1. Select a COM textile and a Herman Miller product.
2. If your textile does not show as tested in Omni, submit a request. You will be required to select a specific color of the textile and feature of the product to test, i.e., seat, back, etc.
3. Herman Miller will notify you of approval or disapproval within 4 days from receipt of the test yardage.

### Ordering Products with Supplier Connection COM

1. Identify and include the following information on your purchase order:
  - Product number and option
  - Herman Miller's COM identification number
2. Enter your order on Order Manager in Omni.
3. Upon receipt of the purchase order, Herman Miller will process your order and send you a PO acknowledgment. Herman Miller will determine the yardage required to produce your product and will order and schedule for delivery the required textile. Standard lead times in effect at the time the textile is allocated at the supplier will apply to products ordered through this program.

# Textiles Application Chart — Workspaces

• Available

A Assigned lead-time textile.

A Maharam textiles are on assigned lead times.

See page 2 for exception notes.

	Action Office® Panels/Connectors	Action Office B-Style Tackboards	Action Office/Ethospace E-Style Storage	Ethospace Tiles/Connectors	Ethospace/Canvas Office Landscape® Privacy Doors	Canvas Tiles/Extended Width Tiles/Channel Tiles	Canvas B-/E-Style Storage	Canvas Tackboards	Canvas Metal Desk Hutch Back Panel	Canvas Vista™ Movable Insert and Display Unit	OE1 Boundary Agile Wall Tile	OE1 Boundary Project Board and Screens	OE1 Floating Screen	OE1 Nook Liner/Felt Screen Liner/Storage Trolley Liner	Overlay™ Performance Wall Cladding	Parl™ Screens/Flat Edge Screens/Channel Screens	Passport Work Table Screen	Renew™ Link Screens	Ambit™ Workspace Solutions Screen	Ambit Workspace Solutions Metal Screen Liner	Exclave® Tackable Boards and Stowage Tackable Backdrop	Exclave Video-Friendly Tackable Boards & Stowage Tackable Backdrop	Personal Side Screen	Tu® Wood Storage Cubby Tackboard	Seating
<b>Price Category 1</b>																									
COM	Customer's Own Material <span style="border: 1px solid black; padding: 0 2px;">A</span>																								
2V__	Chain	•	•	•	•	•	•	•	•	•	•	•	•	•	•	•	•	•	•	•	•	•	•	•	•
8T__	Crossing (85__)	•	•	•	•	•	•	•	•	•	•	•	•	•	•	•	•	•	•	•	•	•	•	•	•
3DE__	Dex	•	•	•	•	•	•	•	•	•	•	•	•	•	•	•	•	•	•	•	•	•	•	•	•
2l__	Grasscloth	•	•	•	•	•	•	•	•	•	•	•	•	•	•	•	•	•	•	•	•	•	•	•	•
1MN__	Monologue	•	•	•	•	•	•	•	•	•	•	•	•	•	•	•	•	•	•	•	•	•	•	•	•
5T__	Resonance	•	•	•	•	•	•	•	•	•	•	•	•	•	•	•	•	•	•	•	•	•	•	•	•
4SC__	Scatter	•	•	•	•	•	•	•	•	•	•	•	•	•	•	•	•	•	•	•	•	•	•	•	•
3DN__	Scribe	•	•	•	•	•	•	•	•	•	•	•	•	•	•	•	•	•	•	•	•	•	•	•	•
22F__	Slant	•	•	•	•	•	•	•	•	•	•	•	•	•	•	•	•	•	•	•	•	•	•	•	•
235__	Tailored	•	•	•	•	•	•	•	•	•	•	•	•	•	•	•	•	•	•	•	•	•	•	•	•
1WS__	Whisper	•	•	•	•	•	•	•	•	•	•	•	•	•	•	•	•	•	•	•	•	•	•	•	•
<b>Price Category 2</b>																									
3AR__	Aristo	•	•	•	•	•	•	•	•	•	•	•	•	•	•	•	•	•	•	•	•	•	•	•	•
51__	Cord	•	•	•	•	•	•	•	•	•	•	•	•	•	•	•	•	•	•	•	•	•	•	•	•
92__	Crepe	•	•	•	•	•	•	•	•	•	•	•	•	•	•	•	•	•	•	•	•	•	•	•	•
3EP__	Epic	•	•	•	•	•	•	•	•	•	•	•	•	•	•	•	•	•	•	•	•	•	•	•	•
3DP__	Hint	•	•	•	•	•	•	•	•	•	•	•	•	•	•	•	•	•	•	•	•	•	•	•	•
4N__	Horizon	•	•	•	•	•	•	•	•	•	•	•	•	•	•	•	•	•	•	•	•	•	•	•	•
1HA__	Medley	•	•	•	•	•	•	•	•	•	•	•	•	•	•	•	•	•	•	•	•	•	•	•	•
4ME__	Mellow	•	•	•	•	•	•	•	•	•	•	•	•	•	•	•	•	•	•	•	•	•	•	•	•
ZMA__	Metaphor - Maharam <span style="border: 1px solid black; padding: 0 2px;">A</span>	•	•	•	•	•	•	•	•	•	•	•	•	•	•	•	•	•	•	•	•	•	•	•	•
8l1__	Muse - Maharam <span style="border: 1px solid black; padding: 0 2px;">A</span>	•	•	•	•	•	•	•	•	•	•	•	•	•	•	•	•	•	•	•	•	•	•	•	•
3SL__	Sequel	•	•	•	•	•	•	•	•	•	•	•	•	•	•	•	•	•	•	•	•	•	•	•	•
4TE__	Terra	•	•	•	•	•	•	•	•	•	•	•	•	•	•	•	•	•	•	•	•	•	•	•	•
3TW__	Twine	•	•	•	•	•	•	•	•	•	•	•	•	•	•	•	•	•	•	•	•	•	•	•	•
8R__	Twist (5S__)	•	•	•	•	•	•	•	•	•	•	•	•	•	•	•	•	•	•	•	•	•	•	•	•
<b>Price Category 3</b>																									
43Z__	Fractal	•	•	•	•	•	•	•	•	•	•	•	•	•	•	•	•	•	•	•	•	•	•	•	•
47__	Ground Cloth®	•	•	•	•	•	•	•	•	•	•	•	•	•	•	•	•	•	•	•	•	•	•	•	•
ZM2__	Meld - Maharam <span style="border: 1px solid black; padding: 0 2px;">A</span> *	•	•	•	•	•	•	•	•	•	•	•	•	•	•	•	•	•	•	•	•	•	•	•	•
4GE__	Parcel	•	•	•	•	•	•	•	•	•	•	•	•	•	•	•	•	•	•	•	•	•	•	•	•
8W__	Strands	•	•	•	•	•	•	•	•	•	•	•	•	•	•	•	•	•	•	•	•	•	•	•	•
<b>Price Category 4</b>																									
3DM__	Daydream	•	•	•	•	•	•	•	•	•	•	•	•	•	•	•	•	•	•	•	•	•	•	•	•
1HS__	Hush	•	•	•	•	•	•	•	•	•	•	•	•	•	•	•	•	•	•	•	•	•	•	•	•
<b>Price Category 5</b>																									
3CY__	Cozy	•	•	•	•	•	•	•	•	•	•	•	•	•	•	•	•	•	•	•	•	•	•	•	•
14A__	Hopsak	•	•	•	•	•	•	•	•	•	•	•	•	•	•	•	•	•	•	•	•	•	•	•	•
40G__	Method - Maharam <span style="border: 1px solid black; padding: 0 2px;">A</span>	•	•	•	•	•	•	•	•	•	•	•	•	•	•	•	•	•	•	•	•	•	•	•	•
ZNC__	Nico - Maharam <span style="border: 1px solid black; padding: 0 2px;">A</span>	•	•	•	•	•	•	•	•	•	•	•	•	•	•	•	•	•	•	•	•	•	•	•	•
<b>Price Category 6-7</b>																									
No fabrics available at this time.																									

continued on next page

# Textiles Application Chart — Workspaces *continued*

• Available

A Assigned lead-time textile.

A Maharam textiles are on assigned lead times.

See page 2 for exception notes.

	Action Office® Panels/Connectors	Action Office B-Style Tackboards	Action Office/Ethospace E-Style Storage	Ethospace Tiles/Connectors	Ethospace/Canvas Office Landscape® Privacy Doors	Canvas Tiles/Extended Width Tiles/Channel Tiles	Canvas B-/E-Style Storage	Canvas Tackboards	Canvas Metal Desk Hutch Back Panel	Canvas Vista™ Movable Insert and Display Unit	OE1 Boundary Agile Wall Tile	OE1 Boundary Project Board and Screens	OE1 Floating Screen	OE1 Nook Liner/Felt Screen Liner/Storage Trolley Liner	Overlay™ Performance Wall Cladding	Pari™ Screens/Flat Edge Screens/Channel Screens	Passport Work Table Screen	Renew™ Link Screens	Ambit™ Workspace Solutions Screen	Ambit Workspace Solutions Metal Screen Liner	Exclave® Tackable Boards and Stowage Tackable Backdrop	Exclave Video-Friendly Tackable Boards & Stowage Tackable Backdrop	Personal Side Screen	Tu® Wood Storage Cubby Tackboard	Seating
<b>Price Category 8</b>																									
1QG__Breeze - Maharam <span style="border: 1px solid black; padding: 0 2px;">A</span>														•											
<b>Price Category 9</b>																									
No fabrics available at this time.																									
<b>Price Category A</b>																									
No fabrics available at this time.																									
<b>Price Category B</b>																									
VM__Medium - Maharam <span style="border: 1px solid black; padding: 0 2px;">A</span>		2			•	20	•	•	•						•										•
TI__Messenger - Maharam <span style="border: 1px solid black; padding: 0 2px;">A</span> *		2	•	12	•	2	•	•	•						•	•			•						•
<b>Price Category C</b>																									
Z27__Manner - Maharam <span style="border: 1px solid black; padding: 0 2px;">A</span>		2	2	2	•	•	2	•	•	•					•	•			•						•
Z3__Metric - Maharam <span style="border: 1px solid black; padding: 0 2px;">A</span>		2	2		•	•		•	•	•					•	•			•						•
<b>Price Category D</b>																									
ZMD__Mode - Maharam <span style="border: 1px solid black; padding: 0 2px;">A</span>		2																				•			•
ZS3__Spiral - Maharam <span style="border: 1px solid black; padding: 0 2px;">A</span>		•	•	•	•	•	•	•	•	•					•										•
<b>Price Category E</b>																									
ZF3__Flock - Maharam <span style="border: 1px solid black; padding: 0 2px;">A</span>															•				•						
TT__Parallel - Maharam <span style="border: 1px solid black; padding: 0 2px;">A</span>		7	•	•	•	•	16	•	•	•					•										
<b>Price Category F</b>																									
8EX__Emit - Maharam <span style="border: 1px solid black; padding: 0 2px;">A</span>		2	2	2	•	•	2	•	•																
<b>Price Category G-Z</b>																									
No fabrics available at this time.																									

*Application Note: Herman Miller cannot guarantee material/pattern alignment in adjacent products. For example, a fabric's pattern may not align from one screen to the next, or from one panel to the next.*

\* Available in select colors on 20-day lead-time. Refer to "Maharam Colors - Workspaces" for 20-day colors.

- 1 Refer to price book appendices and Omni for COM information.
- 2 Available on all products except 54" and 60" wide.
- 3 Not available on AO partial-glazed panels.
- 4 Not available on Action Office (AO®) acoustical panels.
- 5 (8R\_\_), (8T\_\_), (85\_\_), and (5S\_\_) not available on AO acoustical panels and not available on 54"- or 60"-wide products.
- 6 Not available on Action Office (AO®) connectors, cable management, and spacers.
- 7 Not available on AO acoustical panels; not available on AO2 cable management panel face.
- 8 Available in select colors. See the "Proprietary Textile Colors — Workspaces" appendix.
- 12 Not available on Ethospace tackable tiles.
- 16 Not available on Canvas E-style storage.
- 18 Available on seating products in select colors. See the "Proprietary Textile Colors — Seating" appendix.
- 20 Not available on Canvas E-style storage or 60"-wide B-style storage.
- 21 Not available on Ethospace connectors and cable management tiles.
- 22 Not available as railroaded application option for Chain (2V00) on Canvas Extended Width Tiles.



# Textiles Application Chart — Seating continued

• Available

[A] Assigned lead-time textile.

[A] Maharam textiles are on assigned lead times.

[N] Non-woven textile.

See below for exception notes.

	Aeron® Chairs	Asari Work Chairs by Herman Miller™	Cosm™ Chairs	Mirra® 2 Chairs/Stools	Embody® Chairs	Fuld Nesting Chairs	Say® Work Chairs/Stools	Say Side Chairs	Setu® Chairs/Stools	Zeph® Chairs	Verus™ Work Chairs/Stools Back	Verus Work Chairs/Stools Seat	Verus Side Chairs Back	Verus Side Chairs Seat	Verus Plus Chairs	Aside® Chairs	Caper® Chairs/Stools	Lino™ Chairs Back	Lino Chairs Seat	OE1 Storage Trolley Cushion Top	Plex® Lounge Furniture	Swoop™ Lounge Seating - Fully Upholstered	Swoop Lounge Seating - Plywood	Valor™ Seating	Eames® Tandem Sling Seating	Cushion Tops	Workspaces
<b>Price Category 5</b>																											
5YT__Arlo - Maharam [A]																											
3CY__Cozy																											
14A__Hopsak																											
40G__Method - Maharam [A]							16	16																			
ZNC__Nico - Maharam [A]																											
3SU__Summit [N]																											
<b>Price Category 6</b>																											
35__ Balance																											
<b>Price Category 7</b>																											
COL Customer's Own Leather [A]	1															8				1							1
ZB3__Beck - Maharam [A]							16	16																			
8PV__Mantle - Maharam [A]							16	16																			
5K3__Rowan - Maharam [A]							16	16																			
<b>Price Category 8</b>																											
ZLU__Luce - Maharam [A]							16	16																			
<b>Price Category 9</b>																											
ZC0__Campana - Maharam [A]							16	16																			
ZGE__Gemma - Maharam [A]																											
ZJA__Jasper - Maharam [A]							16	16																			7
Z1__Leather [N]	23															8											
<b>Price Category 10</b>																											
3KH__Firma - Maharam [A]							16																				
ZGF__Gemma Multi - Maharam [A]																											
ZGF__Gemma Multi Reverse - Maharam [A]																											
ZP4__Petra - Maharam [A]							16	16																			
<b>Price Category 11</b>																											
3BS__Felix - Maharam [A]							16	16																			
<b>Price Category A</b>																											
No fabrics available at this time.																											
<b>Price Category B</b>																											
VM__Medium - Maharam [A]																											
TI__Messenger - Maharam * [A]																											
<b>Price Category C</b>																											
Z27__Manner - Maharam [A]																											
887__Merit - Maharam [A]																											
Z3__Metric - Maharam [A]																											
8EY__Murmur - Maharam [A]								16																			7
<b>Price Category D</b>																											
8I8__Bluff - Maharam [N] [A]							16	16								8					21						
ZMD__Mode - Maharam [A]							18																				
<b>Price Category E</b>																											
ZAT__Article - Maharam [N] [A]							16	16																			7

continued on next page



# Textiles Application Chart – Seating continued

• Available

[A] Assigned lead-time textile.

[A] Maharam textiles are on assigned lead times.

[N] Non-woven textile.

See below for exception notes.

	Aeron® Chairs	Asari Work Chairs by Herman Miller™	Cosm™ Chairs	Mirra® 2 Chairs/Stools	Embody® Chairs	Fluid Nesting Chairs	Sayl® Work Chairs/Stools	Sayl Side Chairs	Setu® Chairs/Stools	Zeph® Chairs	Verus™ Work Chairs/Stools Back	Verus Work Chairs/Stools Seat	Verus Side Chairs Back	Verus Side Chairs Seat	Verus Plus Chairs	Aside® Chairs	Caper® Chairs/Stools	Lino™ Chairs Back	Lino Chairs Seat	OE1 Storage Trolley Cushion Top	Plex® Lounge Furniture	Swoop™ Lounge Seating - Fully Upholstered	Swoop Lounge Seating - Plywood	Valor™ Seating	Eames® Tandem Sling Seating	Cushion Tops	Workspaces
<b>Price Category F</b>																											
82T__Apt - Maharam [N] [A]							18	•					•	•													7
871__Brindle - Maharam [A]							16	16				•		•					•	•					•		•
87Z__Conduit - Maharam [A]							16	16			•	•	•	•		•			•								7
74M__Instill - Maharam [N] [A]							18	16			•	•	•	•					•		•		•	•			7
89N__Keen - Maharam [A]							16	16				•		•	•				•		•	•	•				
V9G__Ledger - Maharam [N] [A]							18	16			•	•	•	•	•				•	•		•	•		•		•
ZLL__Loop - Maharam [A]							16	16				•		•		8			•						•		
82A__Multiply - Maharam [A]							16	16			•	•	•	•		•			•					•	•	•	
8LW__Pepper - Maharam [A]							16	16				•		•		•			•		21	•		9			•
Z33__Strum - Maharam [N] [A]							16															•		•			7
<b>Price Category G</b>																											
ZC2__Compound - Maharam [N] [A]							16	16			•	•	•	•		8			•		•		•	•			7
ZF1__Fold - Maharam [N] [A]							16	16																	•		7
8AR__Gild - Maharam [A]							16					•	•	•	•						21	•	•	•	•		
ZPR__Pare - Maharam [A]							18	16				•		•		8			•		•	•	•				7
ZRF__Runner - Maharam [A]							16	16												•				•		•	
<b>Price Category H</b>																											
ZT__Circles - Maharam [A]							16	16																			•
ZK__Dot Pattern - Maharam [A]							•	•	•			•		•		•				•				•		•	•
ZL__Small Dot Pattern - Maharam [A]							•	•	•			•		•		•				•				•		•	•
<b>Price Category I</b>																											
7CW__Cursive - Maharam [A]							16	16			•	•	•	•		8			•	•		•		•			•
ZSY__Study - Maharam [A]																				•				•			
<b>Price Category J-K</b>																											
No fabrics available at this time.																											
<b>Price Category L</b>																											
ZMK__Minicheck - Maharam [A]							•	•			•	•	•		•				•					•			7
<b>Price Category M</b>																											
ZF2__Fruit - Maharam [A]							16								•												7
<b>Price Category N-Q</b>																											
No fabrics available at this time.																											
<b>Price Category R</b>																											
Stow Leather							•																				
<b>Price Category S-Z</b>																											
No fabrics available at this time.																											

continued on next page

# Textiles Application Chart — Seating continued

- Available

[A] Assigned lead-time textile.

[A] Maharam textiles are on assigned lead times.

[N] Non-woven textile.

See below for exception notes.

*Application Note: Herman Miller cannot guarantee material/pattern alignment in adjacent products. For example, a fabric's pattern may not align from one pedestal cushion top to the next, or from one chair to another.*

*\* Available in select colors on 20-day lead-time. Refer to "Maharam Colors - Seating" for 20-day colors.*

- |    |  |    |   |
|----|--|----|---|
| 1  | Refer to price book appendices and Omni for COM/COL information.   | 22 | Not available on Sayl side chairs with upholstered backs.                 |
| 7  | Available on 1" Cushion Tops only.                                 | 23 | Available in select colors. Refer to "Textile Colors" for color offering. |
| 8  | Only available on the Aside nonupholstered outer back option (PB). | 24 | Not available on Sayl upholstered High-Back Work Chairs.                  |
| 9  | Available on Valor upholstered seat only.                          | 25 | Not available on Sayl upholstered back work chairs.                       |
| 16 | Available on Sayl Chair seat.                                      | 26 | Available in select colors. Refer to "Textile Colors" for color offering. |
| 18 | Available on Sayl Chair seat and upholstered mid-back.             | 27 | Not available in 3SL15 Carbon Dark.                                       |
| 19 | Available on Sayl seat only.                                       |    |   |
| 20 | Not available on Plex Club Chair with Headrest.                    |    |   |
| 21 | Available on Plex seat and on Ottoman.                             |    |   |

# Textile Colors

## Price Category 1

**Customer's Own Material**  
See Order Information in Appendices. Assigned lead-time textile. [A](#)

**8Z Pellicle®**  
Seating  
For New Aeron® Chairs  
56% elastomeric  
44% polyester  
23101 Mineral  
23102 Carbon  
23103 Graphite

**AireWeave™ 2**  
Seating  
For Mirra® 2 Chairs  
67% elastomeric  
33% antimony-free polyester  
1A701 Alpine  
1A702 Slate Grey  
1A703 Graphite  
1A704 Lime Green  
1A705 Cappuccino  
1A706 Urban Orange  
1A707 Dark Turquoise  
1A708 Twilight

**Chain**  
Workspaces  
66" wide  
100% recycled polyester with 12% ocean bound plastic  
2V01 Pearl  
2V02 Oyster  
2V03 Wheat  
2V04 Linen  
2V05 Wicker  
2V06 Bamboo  
2V07 Sage  
2V08 Spring Wood  
2V09 Iceberg

**Crossing**  
Seating/Workspaces  
54" wide  
86% antimony-free polyester  
14% polyester  
8T03 Wicker \*  
8T04 Porcelain \*  
8T05 Warm Grey \*  
8T10 Tomato  
8T17 Cerulean  
8T18 Indigo  
8T19 Shale \*  
8T22 Tin \*  
8T23 Graphite  
8T24 Black

**Crossing**  
Workspaces  
For workspaces products only.  
54" wide  
86% antimony-free polyester  
14% polyester  
8501 Ivory \*  
8502 Oyster \*  
\* Colors available on Exclave®  
Video-friendly Tackable Boards and Stowage Tackable Backdrop

**Dex**  
Ancillary/Seating/Workspaces  
54" wide  
67% recycled polyester  
33% polyester  
3DE01 Frost  
3DE02 Silver Pine  
3DE03 Stone  
3DE04 Shale  
3DE05 Charcoal  
3DE06 Gossamer  
3DE07 Pine

**Duo**  
Seating  
For Lino™ Chairs  
52% polyester  
48% elastomeric  
4RM01 Mineral  
4RM02 Poppy  
4RM03 Green Leaf  
4RM04 Jade  
4RM05 Shadow  
4RM06 Graphite

**Flexnet™**  
Seating  
For Caper® Chairs  
69% elastomeric  
31% polyester  
6V01 Black  
6V02 Silver Grey

**Grasscloth**  
Workspaces  
66" wide  
100% recycled polyester with 11% ocean bound plastic  
2I01 Silver Birch  
2I02 Pampas  
2I03 Sedge  
2I07 Lea  
2I08 Taro  
2I09 Steam Grey  
2I13 Gravel

**Intercept**  
Seating  
For Cosm™ Chairs  
60% elastomeric  
40% polyester  
84501 Graphite  
84502 Carbon  
84503 Mineral  
84504 Nightfall  
84505 Glacier  
84506 Canyon

**Interweave 2**  
Seating  
For Verus™ Chairs  
65% elastomeric  
35% polyester  
36501 Iceberg  
36502 Poppy  
36503 Beachglass  
36504 Blue Grotto  
36505 Slate  
36506 Shale

**Lyris 2™**  
Seating  
For Setu® Chairs  
74% elastomeric  
26% polyester  
4W21 Alpine  
4W23 Chartreuse  
4W25 Berry Blue  
4W26 Slate Grey  
4W28 Chino  
4W31 Graphite

**Monologue**  
Ancillary/Seating/Workspaces  
54" wide  
56% recycled polyester  
44% polyester  
1MN01 Linen  
1MN02 Alabaster  
1MN04 Folkstone  
1MN05 Silver Pine  
1MN06 Slate  
1MN07 Seed  
1MN09 Persimmon  
1MN11 Meadow  
1MN12 Blue Sky  
1MN13 Blue Spruce  
1MN14 Deep Sea

Price category 1 continued on next page

- Maharam textiles are on assigned lead times [A](#).
- Fabric numbers are listed as Herman Miller fabric number/Maharam fabric number.

# Textile Colors

continued

## Price Category 1

continued

Appendix: Textile Colors

Resonance	
Workspaces	
66" wide	
100% polyester	
5T04	Greige
5T05	Porcelain
5T06	Alabaster
5T15	Iris
5T28	Sugar
5T47	Tobacco
5T54	Saltbush
5T57	Seed
5T58	Sepia
5T60	Iceberg
5T65	Red
5T67	Boysenberry
5T68	Pistachio
5T69	Green Apple
5T71	Jade
5T72	Blue Green
5T74	Twilight

Ripple 3D Knit	
Seating	
Available only on Zeph® Chairs.	
knit to size	
99% recycled polyester	
1% lycra	
5H201	Black
5H202	Carbon
5H203	Alpine
5H204	Silt
5H205	Tea Rose
5H206	Cocoa
5H207	Persimmon
5H208	Blaze
5H209	Cayenne
5H210	Falcon
5H211	Mustard Seed
5H212	Patina
5H213	Olive
5H214	Moss
5H215	Aloe
5H216	Glacier
5H217	Ultramarine
5H218	Nightfall
5H219	Bluebell
5H220	Boysenberry
5H221	Nightfall/Bluebell
5H222	Patina/Alpine
5H223	Cayenne/Glacier
5H224	Tea Rose/Olive
5H225	Silt/Blaze

Scatter	
Ancillary/Seating/Workspaces	
54" wide	
100% recycled polyester, with 26% ocean bound plastic	
4SC01	Alpine
4SC02	Fog
4SC03	Shale
4SC04	Persimmon
4SC07	Olive
4SC08	Glacier
4SC09	Blue Sky
4SC10	Lagoon
4SC11	Slate Grey
4SC12	Blue Black

Scribe	
Seating/Workspaces	
54" wide	
100% recycled polyester with 53% ocean bound plastic	
3DN01	Spring Wood
3DN02	Poplar
3DN03	Pewter
3DN04	Deep Sea
3DN05	Fir
3DN06	Nutmeg

Slant	
Workspaces	
66" wide	
51% polyester 49% recycled polyester	
22F04	Pesto
22F06	Neptune
22F07	Blueberry
22F10	Pumpkin
22F12	Silver Birch
22F13	Bluestone
22F15	Shale

Splash 3D Knit	
Seating	
Available only on Zeph® Chairs.	
knit to size	
98% recycled polyester	
2% lycra	
5H101	Black
5H102	Carbon
5H103	Alpine
5H104	Silt
5H105	Tea Rose
5H106	Cocoa
5H107	Persimmon
5H108	Blaze
5H109	Cayenne
5H110	Falcon
5H111	Mustard Seed
5H112	Patina
5H113	Olive
5H114	Moss
5H115	Aloe
5H116	Glacier
5H117	Ultramarine
5H118	Nightfall
5H119	Bluebell
5H120	Boysenberry

Stretch Knit	
Seating	
Assigned lead-time textile. <sup>A</sup>	
Available only on Say®	
Suspension Back Work Chairs	
97% polyester, 3% spandex	
3DK01	Fog
3DK02	Slate Grey
3DK03	Java
3DK04	Black
3DK05	Red
3DK06	Green Apple
3DK07	Berry Blue

Price category 1 continued on next page

- Maharam textiles are on assigned lead times <sup>A</sup>.
- Fabric numbers are listed as Herman Miller fabric number/Maharam fabric number.

# Textile Colors

continued

## Price Category 1

continued

### Tailored

Ancillary/Seating/Workspaces  
54" wide

56% polyester  
44% recycled polyester

23501	Studio White * **
23502	Sugar *
23503	Tomato
23506	Chive
23508	Cobalt
23509	Cadet
23510	Fog
23511	Graphite
23512	Black
23513	Coffee

\* Colors not available on  
Plex™ Lounge Furniture.

\*\* Color not available on Canvas  
Tiles.

### Tuck 3D Knit

Seating  
Available only on Fuld Nesting  
Chairs.  
knit to size  
56% polyester  
44% recycled polyester

9NK01	Alpine
9NK02	Carbon
9NK03	Nightfall
9NK04	Olive
9NK05	Cocoa
9NK06	Canyon

### Whisper

Ancillary/Seating/Workspaces  
54" wide

73% recycled polyester  
27% polyester  
with 11.3% ocean bound plastic

1WS01	Sand Dollar
1WS02	Pebble
1WS03	Silver Birch
1WS04	Iceberg
1WS05	Silver Pine
1WS06	Carbon
1WS07	Cumin
1WS12	Willow
1WS13	Sea Grass
1WS14	Pool
1WS15	Blueberry
1WS16	Glacier
1WS17	Grey
1WS18	Canyon

## Price Category 2

### Aristo

Ancillary/Seating/Workspaces  
54" wide

88% recycled polyester  
12% polyester  
Acrylic backing

3AR01	Forest Moss
3AR02	Light Brindle
3AR03	Mink
3AR04	Copper
3AR05	Adobe
3AR06	Cherry
3AR07	Lilac
3AR08	Green Apple
3AR09	Surf
3AR10	Waterfall
3AR11	Cadet
3AR12	Tin
3AR13	Pewter
3AR14	Grey Brindle
3AR15	Grey Black

### Cord

Workspaces  
66" wide  
51% antimony-free polyester  
49% polyester

5101	Ivory
5102	White Ash
5103	Linen
5104	Bamboo
5105	Sepia
5107	Sesame
5109	Bayou
5111	Spring Wood
5112	Summer White

### Crepe

Ancillary/Seating/Workspaces  
54" wide

100% recycled polyester,  
with 43.6% ocean bound plastic

9201	Licorice
9203	Smoke
9207	Cherry
9223	Cadet
9241	Beachglass
9249	Stone *
9251	Fog *
9252	Slate Grey
9261	Shale
9262	Graphite
9265	Mineral
9266	Persimmon
9267	Juniper
9268	Glacier
9269	Cascade
9270	Navy

\* Colors available on Exclave®  
Video-friendly Tackable Boards and  
Stowage Tackable Backdrop.

Price category 2 continued on  
next page

- Maharam textiles are on assigned lead times <sup>A</sup>.
- Fabric numbers are listed as Herman Miller fabric number/Maharam fabric number.

# Textile Colors

continued

## Price Category 2

continued

Appendix: Textile Colors

Epic	
Ancillary/Seating/Workspaces	
54" wide	
56% recycled polyester	
44% polyester	
Acrylic backing	
3EP01	Alabaster
3EP02	Smoke
3EP03	Falcon
3EP05	Copper
3EP06	Urban Orange
3EP07	Poppy
3EP10	Clover
3EP11	Loden
3EP14	Peacock
3EP15	Cadet
3EP16	Indigo
3EP17	Spring Wood
3EP18	Grey Brindle
3EP19	Seed
3EP20	Carbon Dark

Hint	
Ancillary/Seating/Workspaces	
54" wide	
76% recycled polyester	
24% polyester	
3DP01	Sediment
3DP02	Gunmetal
3DP03	Silt
3DP04	Porcelain
3DP05	Indigo
3DP06	Fern
3DP07	Adobe
3DP08	Red Sea

Horizon	
Workspaces	
54" wide	
65% antimony-free polyester	
35% polyester	
4N01	Rye Grass
4N02	Sugar Pine
4N03	Silver Pine
4N04	White Ash
4N05	Spring Wood
4N08	Haystack
4N09	Oat Grass
4N13	Pine Cone
4N15	Elderberry

Marvel	
Ancillary/Seating	
54" wide	
100% pvc-free polyurethane	
antimicrobial, antibacterial finish	
1MV01	Summer White
1MV02	Sand Dollar
1MV03	Espresso
1MV04	Folkstone Grey
1MV05	Graphite
1MV06	Onyx
1MV07	Polar Blue
1MV08	Blush Grey
1MV12	Red
1MV14	Pine
1MV15	Teal Green
1MV16	Twilight

Medley	
Ancillary/Seating/Workspaces	
54" wide	
100% polyester	
1HA01	Stone *
1HA02	Trail
1HA03	Charcoal
1HA04	Cinder
1HA07	Chutney
1HA09	Feather Grey *
1HA11	Loden
1HA13	Bayou *
1HA14	Blue Grotto
1HA15	Blueberry
1HA22	Khaki
1HA23	Pewter
1HA24	Yellow Oxide
1HA25	Vintage Rose
1HA26	Raspberry
1HA27	Acai Berry

\* Colors available on Exclave®  
Video-friendly Tackable Boards and Stowage Tackable Backdrop

Mellow	
Ancillary/Seating/Workspaces	
54" wide	
100% recycled polyester,	
with 16% ocean bound plastic	
4ME01	Mineral
4ME04	Olive
4ME05	Glacier
4ME06	Oceanside
4ME07	Charcoal

Metaphor – Maharam	
Ancillary/Seating/Workspaces	
54" wide	
100% polyester	
Acrylic backing	
ZMA01/466553-001	Afterfeather *
ZMA02/466553-002	Moonflower
ZMA03/466553-003	Handcraft
ZMA04/466553-004	Crossroad
ZMA05/466553-005	Chondrite
ZMA06/466553-006	Detective
ZMA07/466553-007	Steamship
ZMA08/466553-008	Electricity
ZMA09/466553-009	Takeoff
ZMA10/466553-010	Parachute
ZMA11/466553-011	Blueshift
ZMA12/466553-012	Dockyard
ZMA13/466553-013	Bathe
ZMA14/466553-014	Icebound
ZMA15/466553-015	Thermosphere
ZMA16/466553-016	Aboard
ZMA17/466553-017	Agaware
ZMA18/466553-018	Homeland
ZMA19/466553-019	Rockfall
ZMA20/466553-020	Undergrowth
ZMA21/466553-021	Gremolata
ZMA22/466553-022	Patina
ZMA23/466553-023	Sylvan
ZMA24/466553-024	Outfield
ZMA25/466553-025	Windbreak
ZMA26/466553-026	Saguaro

*Price category 2 continued on next page*

- Maharam textiles are on assigned lead times [A](#).
- Fabric numbers are listed as Herman Miller fabric number/Maharam fabric number.

# Textile Colors

continued

## Price Category 2

continued

### Metaphor continued

ZMA27/466553-027	Barnwood
ZMA28/466553-028	Cookshop
ZMA29/466553-029	Amandine
ZMA30/466553-030	Bodhran
ZMA31/466553-031	Centerstage
ZMA32/466553-032	Focaccia
ZMA33/466553-033	Bumblebee
ZMA34/466553-034	Microbrew
ZMA35/466553-035	Sauna
ZMA36/466553-036	Gazebo
ZMA37/466553-037	Pirouette
ZMA38/466553-038	Heartbeat
ZMA39/466553-039	Shino
ZMA40/466553-040	Sunrise
ZMA41/466553-041	Florist
ZMA42/466553-042	Beadwork
ZMA43/466553-043	Framboise
ZMA44/466553-044	Wisteria
ZMA45/466553-045	Warrior

\* Colors not available on Eames Aluminum Group, Soft Pad, Sofa Compact, Molded Fiberglass/Plastic Chairs, Task Chair, Wire Chairs, Nelson Platform Bench Cushion, Swoop Plywood Lounge Chair.

### Muse – Maharam

Ancillary/Seating/Workspaces	
54" wide	
100% post-consumer recycled polyester	
8I101/466487-001	Crescendo
8I102/466487-002	Resonate
8I103/466487-003	Runway
8I104/466487-004	Ascend
8I105/466487-005	Veil *
8I106/466487-006	Refresh *
8I107/466487-007	Clear *
8I108/466487-008	Fantasy
8I109/466487-009	Miso
8I110/466487-010	Compass
8I111/466487-011	Bergamot *
8I112/466487-012	Grasshopper

### Muse continued

8I113/466487-013	Goal
8I114/466487-014	Mistletoe
8I115/466487-015	Seaglass *
8I116/466487-016	Frigid
8I117/466487-017	Riverbend
8I118/466487-018	Noble
8I119/466487-019	Pulsar
8I120/466487-020	Velella
8I121/466487-021	Sailboat
8I122/466487-022	Sparse
8I123/466487-023	Vase
8I124/466487-024	Haven
8I125/466487-025	Mead
8I126/466487-026	Neat
8I127/466487-027	Jovial
8I128/466487-028	Theater
8I129/466487-029	Poinsettia
8I130/466487-030	Celebrate
8I131/466487-031	Spectacle

\* Colors not available on Valor Seating.

### Rhythm

Ancillary/Seating	
54" wide	
100% polyester	
3002	Green Apple
3004	Bayou
3005	Berry Blue
3006	Iris
3007	Twilight
3009	Poppy
3010	Molasses
3012	Khaki
3013	Mink
3014	Black *
3015	Charcoal *

\* Colors available on Embody® Chair.

### Sequel

Ancillary/Seating/Workspaces	
54" wide	
100% vinyl	
100% polyester knit backing	
Resilience® finish	
3SL01	White
3SL02	Pebble
3SL03	Mushroom
3SL04	Stone
3SL06	Rattan
3SL09	Seal
3SL10	Blue Fog
3SL11	Folkstone
3SL12	Shale
3SL13	Slate Grey
3SL14	Charcoal
3SL15	Carbon Dark
3SL28	Navy *

\* Color available on Eames® Tandem Sling Seating.

### Terra

Ancillary/Seating/Workspaces	
54" wide	
100% post-consumer recycled biodegradable polyester *	
4TE01	Spring Wood
4TE02	Zinc
4TE03	Pine Cone
4TE04	Charcoal

\* 1% biodegradation in 1,278 days under ASTM D5511 conditions. No evidence of further degradation.

### Twine

Workspaces	
66" wide	
100% recycled polyester	
3TW01	Silver Birch
3TW02	Ivory
3TW03	Alabaster
3TW04	Bamboo
3TW05	Iceberg
3TW06	Charcoal
3TW07	Feather Grey
3TW08	Shale

### Twist

Ancillary/Seating/Workspaces	
54" wide	
80% antimony-free polyester	
13% recycled polyester	
7% polyester	
8R05	Wicker
8R10	Poppy
8R14	Tin
8R15	Shale
8R16	Graphite
8R17	Birch
8R18	Sepia
8R22	Blueberry
8R23	Green Apple
8R26	Gunmetal
8R27	Cinder
8R29	Pekoe
8R33	Forest
8R35	Waterfall
8R36	Midnight Blue
8R37	Carbon Dark

### Twist

Workspaces	
For workspaces products only.	
54" wide	
80% antimony-free polyester	
13% recycled polyester	
7% polyester	
5S03	Oyster

- Maharam textiles are on assigned lead times [A](#).
- Fabric numbers are listed as Herman Miller fabric number/Maharam fabric number.

# Textile Colors

continued

## Price Category 3

Appendix: Textile Colors

Ace	
Ancillary/Seating	
54" wide	
100% polyurethane	
Polyester knit backing	
Stain resistant finish	
3AC01	Summer White
3AC02	White Ash
3AC03	Rye
3AC04	Metal
3AC05	Clay
3AC06	Chestnut
3AC08	Camelback
3AC09	Chipotle
3AC12	Artichoke
3AC13	Sepia Dark
3AC14	Aloe
3AC15	Flint
3AC16	Blue Sky
3AC17	Oceanside
3AC18	Midnight
3AC20	Frost
3AC21	Lead
3AC22	Black

Fractal	
Ancillary/Seating/Workspaces	
58" wide	
84% recycled polyester	
16% polyester	
43Z01	Granite
43Z02	Golden Olive
43Z03	Verdant
43Z04	Cadet

Ground Cloth®	
Workspaces	
66" wide	
100% polyester	
4701	Vapor Grey
4721	Warm White *
4722	Fog *
4723	Straw *
4724	Red Orange *
4726	Green Apple *
4727	Caribbean *
4728	Midnight *
4729	Cappuccino *

\* Colors available on Exclave®  
Video-friendly Tackable Boards  
and Stowage Tackable Backdrop

Latitude	
Seating	
Colors for Mirra 2 Chairs	
100% polyester	
8M10	Alpine
8M17	Black
8M23	French Press
8M27	Cordovan
8M28	Ochre
8M28	Ultramarine
8M28	Olive

Meld – Maharam	
Ancillary/Seating/Workspaces	
54" wide	
68% post-consumer recycled polyester	
32% polyester	
PFOA-Free stain resistant	
ZM201/466387-201	Vast
ZM202/466387-202	Panda **
ZM203/466387-203	Skyline *
ZM204/466387-204	Knight **
ZM205/466387-205	Quill **
ZM206/466387-206	Pipe
ZM207/466387-207	Grate *
ZM208/466387-208	Gloss

Meld continued	
ZM209/466387-209	Bulb
ZM210/466387-210	Bride
ZM211/466387-211	Stark
ZM212/466387-212	Seashell
ZM213/466387-213	Antler
ZM214/466387-214	Crater *
ZM215/466387-215	Perennial
ZM216/466387-216	Mulberry
ZM217/466387-217	Fuchsia *
ZM218/466387-218	Amethyst *
ZM219/466387-219	Merlot
ZM220/466387-220	Magma *
ZM221/466387-221	Rooster
ZM222/466387-222	Heat *
ZM223/466387-223	Clementine
ZM224/466387-224	Fox
ZM225/466387-225	Kiss *
ZM226/466387-226	Bare
ZM227/466387-227	Blonde
ZM228/466387-228	Mimosa
ZM229/466387-229	Comet *
ZM230/466387-230	Honeydew
ZM231/466387-231	Wild *
ZM232/466387-232	Vine
ZM233/466387-233	Seed
ZM234/466387-234	Kale *
ZM235/466387-235	Waterfall *
ZM236/466387-236	Nordic *
ZM237/466387-237	Reef *
ZM238/466387-238	Wave
ZM239/466387-239	Isle **
ZM240/466387-240	Creek
ZM241/466387-241	Mariner *
ZM242/466387-242	Globe
ZM243/466387-243	Spa

\* Colors available on  
20-day lead time.

\*\* Colors available on  
10-day lead time.

Parcel	
Ancillary/Seating/Workspaces	
54" wide	
100% recycled polyester	
4GE01	Gunmetal
4GE02	Brindle
4GE03	Bayou
4GE04	Pesto
4GE05	Golden Olive
4GE06	Copper Sea

Saille - Geiger Textile	
Ancillary	
57" wide	
69% cotton	
31% polyester	
PFOA-Free stain resistant finish	
Acrylic backing	
18001	Coal
18002	Shale
18003	Haze
18004	Stone
18005	White *
18006	Beach
18007	Sand
18008	Blush
18009	Brick
18010	Fog
18011	Celadon
18012	Poolside
18013	Summer Sky
18014	Lake
18015	Midnight Blue

\* Color not available on Eames®  
Soft Pad Group Chairs/Ottomans.

Price category 3 continued on  
next page

- Maharam textiles are on assigned lead times [A](#).
- Fabric numbers are listed as Herman Miller fabric number/Maharam fabric number.



# Textile Colors

continued

## Price Category 3

continued

Strands	
Workspaces	
66" wide	
100% recycled polyester	
8W01	Pebble
8W02	Porcelain
8W03	Taupe
8W04	Honey
8W05	Khaki
8W06	Rye
8W07	Wicker
8W08	Tin
8W09	Cool Grey

## Price Category 4

Cygnus	
Ancillary	
For Eames® Aluminum Group Chairs	
69% elastomeric	
31% polyester	
5401	Black
5402	Zinc
5403	Quartz

Daydream	
Ancillary/Seating/Workspaces	
54" wide	
48% wool	
41% recycled polyester	
9% nylon	
2% polyester	
3DM01	Rye Grass
3DM02	Silver Birch
3DM03	Pewter
3DM04	Graphite
3DM05	Black
3DM06	Lemongrass
3DM07	Permission
3DM08	Juniper
3DM09	Sea Grass
3DM10	Nightfall

Hush	
Workspaces	
66" wide	
80% polyester	
20% viscose	
1HS01	Canyon
1HS02	Pesto
1HS03	Bayou
1HS04	Greystone
1HS05	Charcoal
1HS06	Rye Grass
1HS07	Cool Grey
1HS08	Dark Grey
1HS09	Aqua Green
1HS10	Nightfall

Kalista - Geiger Textile	
Ancillary	
54" wide	
71% post-industrial recycled cotton	
18% post-industrial recycled polyester	
11% polyester	
PFOA-Free stain resistant finish	
1AL01	Cotton
1AL02	Natural
1AL03	Titanium
1AL04	Pewter
1AL05	Starry Night
1AL06	Red Hot
1AL07	Sun Kissed
1AL08	Dune
1AL09	Beach Glass
1AL10	Bluestone
1AL11	Seaside
1AL12	Night Sky

Lariat - Maharam	
Ancillary/Seating	
54" wide	
100% vinyl	
ZLR01/440401-001	001
ZLR02/440401-002	002
ZLR04/440401-004	004
ZLR06/440401-006	006
ZLR07/440401-007	007
ZLR08/440401-008	008
ZLR10/440401-010	010
ZLR11/440401-011	011
ZLR13/440401-013	013
ZLR14/440401-014	014
ZLR15/440401-015	015
ZLR16/440401-016	016
ZLR18/440401-018	018
ZLR20/440401-020	020
ZLR21/440401-021	021
ZLR24/440401-024	024
ZLR25/440401-025	025
ZLR26/440401-026	026

Lariat continued	
ZLR28/440401-028	028
ZLR31/440401-031	031
ZLR32/440401-032	032
ZLR33/440401-033	033
ZLR34/440401-034	034
ZLR38/440401-038	038
ZLR39/440401-039	Granite
ZLR40/440401-040	Linen
ZLR41/440401-041	Stella
ZLR42/440401-042	Saddle
ZLR43/440401-043	Holly
ZLR44/440401-044	Maroon
ZLR45/440401-045	Siren
ZLR46/440401-046	Reseda
ZLR47/440401-047	Purslane
ZLR48/440401-048	Spire
ZLR49/440401-049	Papyrus
ZLR50/440401-050	Chickadee
ZLR51/440401-051	Requiem

Sync	
Ancillary/Seating	
55" wide	
100% polyester	
3SY01	Pine Cone
3SY03	Canyon
3SY04	Truffle
3SY06	Everglade
3SY08	Nightfall
3SY09	Dark Mineral
3SY10	Slate Grey
3SY11	Dark Carbon
3SY12	Black

Appendix: Textile Colors

- Maharam textiles are on assigned lead times [A](#).
- Fabric numbers are listed as Herman Miller fabric number/Maharam fabric number.

# Textile Colors

continued

## Price Category 5

Appendix: Textile Colors

### Arlo - Maharam

Ancillary/Seating	
70% wool	
30% polyester	
5YT01	Turn
5YT02	Embers
5YT03	Parallel
5YT04	Octave
5YT05	Musing
5YT06	Summon
5YT07	Dynamic
5YT08	Signals
5YT09	Aspect
5YT10	Dedicate
5YT11	Juniper
5YT12	Cilantro
5YT13	Hawthorn
5YT14	Thread
5YT15	Spalted
5YT16	Warmer
5YT17	Misted
5YT18	Share
5YT19	Chord
5YT20	Heroic
5YT21	Arpeggio
5YT22	Roots
5YT23	Sumac
5YT24	Purl
5YT25	Homeward

### Cozy

Ancillary/Seating	
54" wide	
100% wool	
3CY01	Heathered Warm Grey
3CY02	Heathered Rye Grass
3CY03	Heathered Cool Grey
3CY05	Heathered Black
3CY06	Heathered Persimmon
3CY07	Heathered Loden
3CY09	Heathered Lagoon
3CY10	Heathered Twilight

### Hopsak

Ancillary/Seating/Workspaces	
56" wide	
100% recycled polyester	
14A20	Black
14A22	Raw Umber Dark
14A26	Grey Blue Dark
14A30	Sepia Dark
14A38	Emerald Dark
14A39	Yellow Dark
14A40	Orange
14A41	Sienna
14A42	Olive Green Dark
14A43	Crimson
14A44	Crimson Dark Dark
14A45	Violet Dark
14A46	Pink Dark Dark
14A47	Ultramarine Dark
14A48	Cobalt Blue
14A49	Terra Cotta
14A50	Ochre Dark

### Ingenu - Geiger Textile

Ancillary	
54" wide	
28% wool	
26% viscose	
25% acrylic	
16% polyester	
5% cotton	
PFOA-Free stain resistant finish	
1GH01	Sand
1GH02	Fog
1GH03	Flannel
1GH04	Trench
1GH05	Vermillion
1GH06	Adriatic
1GH07	Umber
1GH08	Charcoal

### Method - Maharam

Ancillary/Seating/Workspaces	
54" wide	
100% recycled polyester	
with 9% ocean-bound plastic	
40G01/466579-001	Inspire
40G02/466579-002	Rhea
40G03/466579-003	Noise
40G04/466579-004	Speedway
40G05/466579-005	Villanelle
40G06/466579-006	Maestro
40G07/466579-007	Destiny
40G08/466579-008	Possess
40G09/466579-009	Waterside
40G10/466579-010	Relax
40G11/466579-011	Delightful
40G12/466579-012	Parrotlet
40G13/466579-013	Verdurous
40G14/466579-014	Bosky
40G15/466579-015	Acreage
40G16/466579-016	Allude
40G17/466579-017	Tweed
40G18/466579-018	Korma
40G19/466579-019	Fossilize
40G20/466579-020	Cattail
40G21/466579-021	Shortcake
40G22/466579-022	Racecar
40G23/466579-023	Courtship
40G24/466579-024	Jam
40G25/466579-025	Sparrow

### Nico - Maharam

Ancillary/Seating/Workspaces	
54" wide	
63% wool	
21% polyester	
16% solution-dyed nylon	
ZNC01/466564-001	Alcazar
ZNC02/466564-002	Ironclad
ZNC03/466564-003	Tune
ZNC04/466564-004	Bridegroom
ZNC05/466564-005	Diode
ZNC06/466564-006	Jest
ZNC07/466564-007	Sanctuary
ZNC08/466564-008	Aquarius
ZNC09/466564-009	Houseboat
ZNC10/466564-010	Olympian
ZNC11/466564-011	Tennis
ZNC12/466564-012	Dressage
ZNC13/466564-013	Zing
ZNC14/466564-014	Bitterroot
ZNC15/466564-015	Gemini
ZNC16/466564-016	Posh
ZNC17/466564-017	Sizzle
ZNC18/466564-018	Cheerful
ZNC19/466564-019	Watermelon
ZNC20/466564-020	Toucan
ZNC21/466564-021	Rosin
ZNC22/466564-022	Jousting
ZNC23/466564-023	Jojoba
ZNC24/466564-024	Dromedary
ZNC25/466564-025	Toasty
ZNC26/466564-026	Casaba
ZNC27/466564-027	Greenhouse
ZNC28/466564-028	Sibyl
ZNC29/466564-029	Spearmint
ZNC30/466564-030	Pothos
ZNC31/466564-031	Calathea
ZNC32/466564-032	Landscape
ZNC33/466564-033	Espalier
ZNC34/466564-034	Gecko
ZNC35/466564-035	Meditation

Price category 5 continued on next page

- Maharam textiles are on assigned lead times **A**.
- Fabric numbers are listed as Herman Miller fabric number/Maharam fabric number.

# Textile Colors

continued

## Price Category 5

continued

Summit	
Ancillary/Seating	
54" wide	
100% silicone	
Polyester knit backing	
3SU02	Oyster
3SU03	Zinc
3SU04	Sparrow
3SU07	Black
3SU09	Beachglass
3SU10	Midnight

Vionette - Geiger Textile	
Ancillary	
55" wide	
100% polyester	
1GJ01	White Sand Mix
1GJ02	Desert Mix
1GJ03	Light Gray Mix
1GJ04	Pewter Mix
1GJ05	Cobalt Mix
1GJ06	Prussian Blue Mix
1GJ07	Chocolate Mix
1GJ08	Champagne
1GJ09	Morning Sky
1GJ10	Aquatic
1GJ11	Sapphire
1GJ12	Midnight Blue
1GJ13	Shadow
1GJ14	Java
1GJ15	Carbon
1GJ16	Black
1GJ17	Claret
1GJ18	Poppy

## Price Category 6

Balance	
Seating	
For Embody® chairs	
100% polyester	
3512	Carbon
3513	Black

Outdoor Weave	
Ancillary	
For Eames® Aluminum Group	
Outdoor Chairs	
50% elastomeric	
50% polypropylene	
7203	Lead
7205	Graphite

## Price Category 7

Customer's Own Leather	
See Order Information in	
Appendices. Assigned lead-time	
textile. <a href="#">A</a>	

Bamboo	
Ancillary	
83% bamboo	
17% polyurethane	
1BB01	Ivory
1BB02	Russet
1BB03	Black

Beck – Maharam	
Ancillary/Seating	
55" wide	
78% wool	
22% nylon	
ZB301/466571-001	Overshadow
ZB302/466571-002	Molecule
ZB303/466571-003	Zeitgeist
ZB304/466571-004	Blacksmith
ZB305/466571-005	Cornerstone
ZB306/466571-006	Chainmail
ZB307/466571-007	Buckram
ZB308/466571-008	Callisto
ZB309/466571-009	Interlude
ZB310/466571-010	Letterpress
ZB311/466571-011	Memoir
ZB312/466571-012	Litmus
ZB313/466571-013	Stoic
ZB314/466571-014	Inkpad
ZB315/466571-015	Praxis
ZB316/466571-016	Astute
ZB317/466571-017	Percolate
ZB318/466571-018	Halocline
ZB319/466571-019	Semblance
ZB320/466571-020	Loch
ZB321/466571-021	Lido
ZB322/466571-022	Underwater
ZB323/466571-023	Tetrapod
ZB324/466571-024	Nymph
ZB325/466571-025	Appalachian

Beck continued	
ZB326/466571-026	Menthol
ZB327/466571-027	Woodruff
ZB328/466571-028	Malachite
ZB329/466571-029	Botanist
ZB330/466571-030	Woodlet
ZB331/466571-031	Katydid
ZB332/466571-032	Exuberant
ZB333/466571-033	Retrospect
ZB334/466571-034	Lambic
ZB335/466571-035	Argil
ZB336/466571-036	Brushstroke
ZB337/466571-037	Candescent
ZB338/466571-038	Reedbuck
ZB339/466571-039	Clayware
ZB340/466571-040	Curio
ZB341/466571-041	Whimsy
ZB342/466571-042	Effervescent
ZB343/466571-043	Lingonberry
ZB344/466571-044	Resplendent
ZB345/466571-045	Hollyhock
ZB346/466571-046	Filigree
ZB347/466571-047	Plutonic
ZB348/466571-048	Foundry
ZB349/466571-049	Patisserie
ZB390	Gold 007/032/033 *
ZB391	Russet 036/040/039 *
ZB392	Indigo 008/013/014 *
ZB393	Forest 006/031/028 *

\* Colors available only on Girard Color Wheel Ottoman.

Price category 7 continued on next page

- Maharam textiles are on assigned lead times [A](#).
- Fabric numbers are listed as Herman Miller fabric number/Maharam fabric number.

# Textile Colors

continued

## Price Category 7

continued

Appendix: Textile Colors

Bellano - Geiger Textile	
Ancillary	
55" wide	
75% wool	
10% linen	
8% nylon	
7% alpaca	
1AX01	Pearl
1AX02	Fog
1AX03	Fawn
1AX04	Pumice
1AX05	Pewter
1AX06	Atlantic
1AX07	Black Green
1AX08	Adriatic
1AX09	Coffee
1AX10	Charcoal
1AX11	Umber
1AX12	Magenta
1AX13	Bittersweet
1AX14	Sunflower

Capri - Geiger Textile	
Ancillary	
55" wide	
36% cotton	
32% acrylic	
24% rayon	
8% polyester	
PFOA-Free stain resistant finish	
Acrylic backing	
17201	Snow
17202	Stone
17203	Trench
17204	Graphite
17205	Anthracite
17206	Light Silver
17207	Russet
17208	Chestnut Brown
17209	Sand
17210	Sterling
17211	Cobalt
17212	Ink

Mantle - Maharam	
Ancillary/Seating	
59% recycled polyester	
37% polyester	
4% spandex	
8PV01	Pavement
8PV02	Future
8PV03	Piper
8PV04	Manifesto
8PV05	Mapo
8PV06	Redwood
8PV07	Rocky
8PV08	Impala
8PV09	Warbler
8PV10	Guild
8PV11	Kinetic
8PV12	Behold
8PV13	Orb
8PV14	Sport
8PV15	Utopia
8PV16	True
8PV17	Galore
8PV18	Parsley
8PV19	Dare
8PV20	Branzino
8PV21	Network
8PV22	Standard
8PV23	Salamander
8PV24	Oscillate

Milaner - Geiger Textile	
Ancillary	
55" wide	
56% wool, 10% acrylic	
10% alpaca, 10% cotton	
8% nylon, 6% rayon	
17101	Linen
17102	Flax
17103	Bark
17104	Deep Navy
17105	Charcoal
17106	Medium Grey
17107	Ash
17108	Crimson

Panno di Dolce - Geiger Textile	
Ancillary	
55" wide	
65% wool	
20% nylon	
15% alpaca	
1AV01	Fog
1AV02	Dune
1AV03	Trench
1AV04	Flannel
1AV05	Charcoal
1AV06	Umber
1AV07	Deep Navy
1AV08	Graphite
1AV09	Orange
1AV10	Pink
1AV11	Deep Red
1AV12	Bright Green
1AV13	Cerulean Blue
1AV14	Deep Cerulean Blue

Pristina - Geiger Textile	
Ancillary	
55" wide	
37% wool	
25% viscose	
17% acrylic	
15% cotton	
6% polyester	
PFOA-Free stain resistant	
1JC01	Dove
1JC02	Goldstone
1JC03	Daybreak
1JC04	Pumice
1JC05	Cappuccino
1JC06	Gunmetal
1JC07	Caspian
1JC08	Café Noir

Resca - Geiger Textile	
Ancillary	
56" wide	
75% wool	
10% linen	
8% nylon	
7% alpaca	
1AW01	Fog
1AW02	Dune
1AW03	Trench
1AW04	Flannel
1AW05	Umber
1AW06	Bordeaux

Rowan - Maharam	
Ancillary/Seating	
77% wool	
12% nylon	
6% acrylic	
5% linen	
5K301	Kingdom
5K302	Northern
5K303	Rabbit
5K304	Elephant
5K305	Furrow
5K306	Heirloom
5K307	Appear
5K308	Repose
5K309	Blackcurrant
5K310	Courage
5K311	Bordeaux
5K312	Cherish
5K313	Brickfield
5K314	Hibiscus
5K315	Carnelian
5K316	Cinnabar
5K317	Toasted
5K318	Revea
5K319	Cortado
5K320	Medallion
5K321	Polenta

Price category 7 continued on next page

- Maharam textiles are on assigned lead times [A](#).
- Fabric numbers are listed as Herman Miller fabric number/Maharam fabric number.

# Textile Colors

continued

## Price Category 7

continued

Rowan continued	
5K322	Prized
5K323	Travertine
5K324	Companion
5K325	Library
5K326	Fable
5K327	Pixie
5K328	Arboretum
5K329	Ease
5K330	Sapling
5K331	Cottonwood
5K332	Scout
5K333	Valleyside
5K334	Ornament
5K335	Zucchini
5K336	Ethereal
5K337	Springtide
5K338	Traverse
5K339	Untold
5K340	Flowing
5K341	Laguna
5K342	Cerulean
5K343	Soundscape
5K344	Message
5K345	Freefall
5K346	Musical
5K347	Puzzle
5K348	Operatic
5K349	Daydream
5K350	Shale
5K351	Forward
5K352	Anthracite

Vesture - Geiger Textile	
Ancillary	
55" wide	
40% wool, 25% polyester	
20% silk, 15% nylon	
PFOA-Free stain resistant finish	
21701	Ashen
21702	Dark Blush
21703	Dusk
21704	Medium Gray
21705	Twilight

Wool Epinglé - Geiger Textile	
Ancillary	
54" wide	
100% wool	
16201	Swiss Red
16202	Orange
16203	Light Chestnut Brown
16204	Light Burnt Umber
16205	Pale Native Umber
16207	Grey
16208	Natier Blue
16209	Deep Cerulean Blue
16210	Anthracite
16211	Natural Native Umber
16212	Chestnut Brown

Wool Tweed - Geiger Textile	
Ancillary	
54" wide	
80% wool, 20% nylon	
16601	Trench
16602	Pewter
16603	Ruby
16604	Blue Gray
16605	Navy
16606	Umber
16607	Charcoal

## Price Category 8

Breeze - Maharam	
Workspaces	
120" wide	
65% FR polyester	
35% post-consumer recycled	
FR polyester	
1QG06/283817-006	Meteorite
1QG09/283817-009	Serum

Luce - Maharam	
Ancillary/Seating	
59" wide	
75% post-consumer recycled wool	
20% polyester	
5% nylon	
ZLU01/466566-001	Brioche
ZLU02/466566-002	Blanched
ZLU03/466566-003	Relic
ZLU04/466566-004	Sinter
ZLU05/466566-005	Scoria
ZLU06/466566-006	Austere
ZLU07/466566-007	Pigment
ZLU08/466566-008	Alkali
ZLU09/466566-009	Tidal
ZLU10/466566-010	Imbue
ZLU11/466566-011	Reservoir
ZLU12/466566-012	Brine
ZLU13/466566-013	Undertone
ZLU14/466566-014	Prelude
ZLU15/466566-015	Submerge
ZLU16/466566-016	Cypress
ZLU17/466566-017	Awash
ZLU18/466566-018	Adriatic
ZLU19/466566-019	Province
ZLU20/466566-020	Virescent
ZLU21/466566-021	Nettle
ZLU22/466566-022	Agrarian
ZLU23/466566-023	Serpentine
ZLU24/466566-024	Laurel
ZLU25/466566-025	Clarion
ZLU26/466566-026	Gooseberry
ZLU27/466566-027	Swelter
ZLU28/466566-028	Etruscan
ZLU29/466566-029	Coulis
ZLU30/466566-030	Rubescant

Luce continued	
ZLU31/466566-031	Akoya
ZLU32/466566-032	Radiant
ZLU33/466566-033	Regent
ZLU34/466566-034	Spectral
ZLU35/466566-035	Thistle

Tempo - Maharam	
Ancillary	
55" wide	
100% polyester	
Polyester backing	
26S01/466589-001	Chert
26S02/466589-002	Grandstand
26S03/466589-003	Restful
26S04/466589-004	Battleship
26S05/466589-005	Lavender
26S06/466589-006	Dockside
26S07/466589-007	Swimming
26S08/466589-008	Ambience
26S09/466589-009	Adornment
26S10/466589-010	Remedy
26S11/466589-011	Fang
26S12/466589-012	Inshore
26S13/466589-013	Camouflage
26S14/466589-014	Mesclun
26S15/466589-015	Farmland
26S16/466589-016	Tadpole
26S17/466589-017	Purr
26S18/466589-018	Snowman
26S19/466589-019	Beehive
26S20/466589-020	Gazelle
26S21/466589-021	Shiitake
26S22/466589-022	Flaxseed
26S23/466589-023	Crawdad
26S24/466589-024	Flowery
26S25/466589-025	Burgundy
26S26/466589-026	Rangoli
26S27/466589-027	Petunia
26S28/466589-028	Campsite

Price category 8 continued on next page

- Maharam textiles are on assigned lead times <sup>A</sup>.
- Fabric numbers are listed as Herman Miller fabric number/Maharam fabric number.

# Textile Colors

continued

## Price Category 8

continued

## Price Category 9

Appendix: Textile Colors

Whim	
Ancillary	
54" wide	
34% viscose	
33% acrylic	
17% wool	
8% polyester	
9DA01	Warm White
9DA02	Rye
9DA03	Mustard Seed
9DA04	Terra Cotta
9DA05	Fir
9DA06	Navy
9DA07	Pewter

Alpaca Mohair - Geiger Textile	
Ancillary	
54" wide	
63% alpaca	
21% cotton, 16% polyester	
18510	Dune
18511	Trench
18512	Vicuna
18570	Sepia
18571	Umber
18580	Fog
18581	Flannel
18582	Charcoal

Campana – Maharam	
Ancillary/Seating	
59" wide	
85% wool	
15% nylon	
ZC001/466571-001	Viverine
ZC002/466571-002	Lithograph
ZC003/466571-003	Moonscape
ZC004/466571-004	Brevity
ZC005/466571-005	Linear
ZC006/466571-006	Hinterland
ZC007/466571-007	Mural
ZC008/466571-008	Sloe
ZC009/466571-009	Interstellar
ZC010/466571-010	Mythology
ZC011/466571-011	Scintillate
ZC012/466571-012	Succession
ZC013/466571-013	Visceral
ZC014/466571-014	Hemisphere
ZC015/466571-015	Troposphere
ZC016/466571-016	Skye
ZC017/466571-017	Seaward
ZC018/466571-018	Nemorous
ZC019/466571-019	Allegory
ZC020/466571-020	Olivine
ZC021/466571-021	Reptilian
ZC022/466571-022	Basil
ZC023/466571-023	Fanleaf
ZC024/466571-024	Beachgrass
ZC025/466571-025	Hayfield

Campana continued	
ZC026/466571-026	Freesia
ZC027/466571-027	Rhodium
ZC028/466571-028	Undercoat
ZC029/466571-029	Airbrush
ZC030/466571-030	Shellfish
ZC031/466571-031	Mojave
ZC032/466571-032	Renaissance
ZC033/466571-033	Decoupage
ZC034/466571-034	Outback
ZC035/466571-035	Millipede

Gemma – Maharam	
Ancillary/Seating	
55" wide	
85% wool	
15% nylon	
ZGE01/466568-001	Crinoline
ZGE02/466568-002	Angelic
ZGE03/466568-003	Savory
ZGE04/466568-004	Honeycomb
ZGE05/466568-005	Gilded
ZGE06/466568-006	Paddleboat
ZGE07/466568-007	Stagecoach
ZGE08/466568-008	Waterbuck
ZGE09/466568-009	Earnest
ZGE10/466568-010	Auric
ZGE11/466568-011	Carmine
ZGE12/466568-012	Serape
ZGE13/466568-013	Ferric
ZGE14/466568-014	Canyon
ZGE15/466568-015	Alembic
ZGE16/466568-016	Patio
ZGE17/466568-017	Sorrel
ZGE18/466568-018	Root

Gemma continued	
ZGE19/466568-019	Mansion
ZGE20/466568-020	Buff
ZGE21/466568-021	Starch
ZGE22/466568-022	Dawn
ZGE23/466568-023	Countryside
ZGE24/466568-024	Dewy
ZGE25/466568-025	Reliquary
ZGE26/466568-026	Deluge
ZGE27/466568-027	Overlay
ZGE28/466568-028	Electron
ZGE29/466568-029	Sheath
ZGE30/466568-030	Quietude
ZGE31/466568-031	Jargon
ZGE32/466568-032	Powder
ZGE33/466568-033	Tide
ZGE34/466568-034	Outwash
ZGE35/466568-035	Enamored
ZGE36/466568-036	Smitten
ZGE37/466568-037	Revere
ZGE38/466568-038	Mangosteen
ZGE39/466568-039	Allium
ZGE40/466568-040	Immense
ZGE41/466568-041	Chamber
ZGE42/466568-042	Cosmos
ZGE43/466568-043	Inkling
ZGE44/466568-044	Rainwater
ZGE45/466568-045	Shade
ZGE46/466568-046	Pendant
ZGE47/466568-047	Axial
ZGE48/466568-048	Fervent
ZGE49/466568-049	Legacy
ZGE50/466568-050	Caliber
ZGE51/466568-051	Temple
ZGE52/466568-052	Evenfall

Price category 9 continued on next page

- Maharam textiles are on assigned lead times [A](#).
- Fabric numbers are listed as Herman Miller fabric number/Maharam fabric number.

# Textile Colors

continued

## Price Category 9

continued

Jasper - Maharam
Ancillary/Seating
53" wide
55% wool
27% solution-dyed nylon
18% cotton
ZJA01/466563-001 Thrill
ZJA02/466563-002 Anise
ZJA03/466563-003 Grapefruit
ZJA04/466563-004 Lifeguard
ZJA05/466563-005 Heartfelt
ZJA06/466563-006 Corsage
ZJA07/466563-007 Earthenware
ZJA08/466563-008 Bear
ZJA09/466563-009 Firelight
ZJA10/466563-010 Dreamcatcher
ZJA11/466563-011 Bobcat
ZJA12/466563-012 Glacial
ZJA13/466563-013 Vaporize
ZJA14/466563-014 Trapdoor
ZJA15/466563-015 Halcyon
ZJA16/466563-016 Observatory
ZJA17/466563-017 Steamboat
ZJA18/466563-018 Aquathlon
ZJA19/466563-019 Cloudless
ZJA20/466563-020 Briny
ZJA21/466563-021 Magical
ZJA22/466563-022 Picnic
ZJA23/466563-023 Herbage
ZJA24/466563-024 Pasture
ZJA25/466563-025 Courtyard
ZJA26/466563-026 Leapfrog

Leather
Ancillary/Seating
approx. 50 sq. ft. per hide
100% leather
2101 Ivory
2109 Black *
2110 Smoke
2111 Graphite
2112 Khaki
2113 Rattan
2114 Truffle
2115 Alpine
2116 Haze
2117 Sable Grey
2118 Dark Mineral **
2119 Dark Carbon ***
2120 Cranberry
2121 Deep Sea

\* Armpad color available on Aeron® Chair, Graphite.  
 \*\* Armpad color available on Aeron Chair, Mineral.  
 \*\*\* Armpad color available on Aeron Chair, Carbon.

## Price Category 10

Bristol Leather - Geiger Textile
Ancillary
approx. 55 sq. ft. per hide
100% leather
5-507 Black
5-511 Putty
5-519 Hunter
5-520 White
5-521 Ivory
5-522 Parchment
5-537 Caribbean
5-546 Pumice
5-547 Smoke
5-548 Charcoal
5-549 Dark Shale
5-556 Downtown Grey
5-557 City Night
5-559 Ash Grey
5-563 Champagne
5-564 Chestnut Brown
5-565 Dark Sienna
5-566 Earthen
5-567 Desert
5-568 British Green
5-579 Paris Blue
5-583 Atlantic
5-592 Camel
5-594 Taupe
5-597 Pure *
5-598 Cream
5-600 Midnight Blue
5-603 Sangria
5-604 Swiss Red
5-605 Nordic Yellow
5-606 Sky Grey
5-608 Natural

\* Color not available on Saiba Chair.

Firma – Maharam
Ancillary/Seating
55" wide
78% wool
22% nylon
3KH01/466582-001 Wrath
3KH02/466582-002 Pantomime
3KH03/466582-003 Shaded
3KH04/466582-004 Prologue
3KH05/466582-005 Framework
3KH06/466582-006 Railroad
3KH07/466582-007 Grommet
3KH08/466582-008 Lunisolar
3KH09/466582-009 Snowpack
3KH10/466582-010 Coldsnap
3KH11/466582-011 Sealift
3KH12/466582-012 Brood
3KH13/466582-013 Intertidal
3KH14/466582-014 Confide
3KH15/466582-015 Secluded
3KH16/466582-016 Leisure
3KH17/466582-017 Portfolio
3KH18/466582-018 Strato
3KH19/466582-019 Fogbow
3KH20/466582-020 Snowcone
3KH21/466582-021 Kazoo
3KH22/466582-022 Esteem
3KH23/466582-023 Mackerel
3KH24/466582-024 Brooch
3KH25/466582-025 Caesious
3KH26/466582-026 Islet
3KH27/466582-027 Biosphere
3KH28/466582-028 Hilltop
3KH29/466582-029 Arboreal
3KH30/466582-030 Lineage
3KH31/466582-031 Comfrey
3KH32/466582-032 Circe
3KH33/466582-033 Ecosystem
3KH34/466582-034 Knack
3KH35/466582-035 Watt
3KH36/466582-036 Epiphany
3KH37/466582-037 Gamma
3KH38/466582-038 Taxicab
3KH39/466582-039 Varietal
3KH40/466582-040 Tale

Price category 10 continued on next page

- Maharam textiles are on assigned lead times A.
- Fabric numbers are listed as Herman Miller fabric number/Maharam fabric number.

# Textile Colors

continued

## Price Category 10

continued

Firma continued	Gemma Multi continued	Gemma Multi Reverse – Maharam	Gemma Multi Reverse continued
3KH41/466582-041 Elemental	ZGF19/466569-019 Crocus	Ancillary/Seating	ZGF78/466569-121 Roulette
3KH42/466582-042 Cuff	ZGF20/466569-020 Memoir	55" wide	Reverse
3KH43/466582-043 Emu	ZGF21/466569-021 Roulette	85% wool	ZGF79/466569-122 Voltaic
3KH44/466582-044 Tempeh	ZGF22/466569-022 Voltaic	15% nylon	Reverse
3KH45/466582-045 Tephra	ZGF23/466569-023 Compote	ZGF58/466569-101 Andromeda	ZGF80/466569-123 Compote
3KH46/466582-046 Shellac	ZGF24/466569-024 Lambent	Reverse	Reverse
3KH47/466582-047 Emporium	ZGF25/466569-025 Twister	ZGF59/466569-102 Dappled	ZGF81/466569-124 Lambent
3KH48/466582-048 Keratin	ZGF26/466569-026 Chronicle	Reverse	Reverse
3KH49/466582-049 Camwood	ZGF27/466569-027 Sidereal	ZGF60/466569-103 Lyra	ZGF82/466569-125 Twister
3KH50/466582-050 Gloam	ZGF28/466569-028 Tanzanite	Reverse	Reverse
3KH51/466582-051 Novela	ZGF29/466569-029 Crystalize	ZGF61/466569-104 Flaunt	ZGF83/466569-126 Chronicle
3KH52/466582-052 Fruitpunch	ZGF30/466569-030 Chromium	Reverse	Reverse
3KH53/466582-053 Decant	ZGF31/466569-031 Pallium	ZGF62/466569-105 Celluloid	ZGF84/466569-127 Sidereal
3KH54/466582-054 Milkshake	ZGF32/466569-032 Spectre	Reverse	Reverse
3KH55/466582-055 Metaphysic	ZGF33/466569-033 Courgette	ZGF63/466569-106 Hydrozoa	ZGF85/466569-128 Tanzanite
3KH56/466582-056 Carafe	ZGF34/466569-034 Viper	Reverse	Reverse
3KH57/466582-057 Voyager	ZGF35/466569-035 Sunlit	ZGF64/466569-107 Firefly	ZGF86/466569-129 Crystalize
3KH58/466582-058 Tenebrous	ZGF36/466569-036 Heavenly	Reverse	Reverse
3KH59/466582-059 Subtext	ZGF37/466569-037 Vernal	ZGF65/466569-108 Pisces	ZGF87/466569-130 Chromium
3KH60/466582-060 Silent	ZGF38/466569-038 Cress	Reverse	Reverse
	ZGF39/466569-039 Limn	ZGF66/466569-109 Strath	ZGF88/466569-131 Pallium
	ZGF40/466569-040 Horseradish	Reverse	Reverse
	ZGF41/466569-041 Shandy	ZGF67/466569-110 Erosion	ZGF89/466569-132 Spectre
	ZGF42/466569-042 Granary	Reverse	Reverse
	ZGF43/466569-043 Percolate	ZGF68/466569-111 Cabaret	ZGF90/466569-133 Courgette
	ZGF44/466569-044 Motor	Reverse	Reverse
	ZGF45/466569-045 Unicorn	ZGF69/466569-112 Candytuft	ZGF91/466569-134 Viper
	ZGF46/466569-046 Lobster	Reverse	Reverse
	ZGF47/466569-047 Rhododendron	ZGF70/466569-113 Juice	ZGF92/466569-135 Sunlit
	ZGF48/466569-048 Taffy	Reverse	Reverse
	ZGF49/466569-049 Rishi	ZGF71/466569-114 Fairground	ZGF93/466569-136 Heavenly
	ZGF50/466569-050 Backcountry	Reverse	Reverse
	ZGF51/466569-051 Buckthorn	ZGF72/466569-115 Copperplate	ZGF94/466569-137 Vernal
	ZGF52/466569-052 Coniferous	Reverse	Reverse
	ZGF53/466569-053 Delphic	ZGF73/466569-116 Sunbird	ZGF95/466569-138 Cress
	ZGF54/466569-054 Hieroglyph	Reverse	Reverse
	ZGF55/466569-055 Eiderdown	ZGF74/466569-117 Cinematic	ZGF96/466569-139 Limn
	ZGF56/466569-056 Sandbar	Reverse	Reverse
	ZGF57/466569-057 Tanager	ZGF75/466569-118 Clairvoyant	ZGF97/466569-140 Horseradish
		Reverse	Reverse
		ZGF76/466569-119 Crocus	ZGF98/466569-141 Shandy
		Reverse	Reverse
		ZGF77/466569-120 Memoir	ZGF99/466569-142 Granary
		Reverse	Reverse

- Maharam textiles are on assigned lead times A.
- Fabric numbers are listed as Herman Miller fabric number/Maharam fabric number.

Price category 10 continued on next page



# Textile Colors

continued

## Price Category 10

continued

### Gemma Multi Reverse *continued*

ZGFA0/466569-143	Percolate
	Reverse
ZGFA1/466569-144	Motor
	Reverse
ZGFA2/466569-145	Unicorn
	Reverse
ZGFA3/466569-146	Lobster
	Reverse
ZGFA4/466569-147	Rhododendron
	Reverse
ZGFA5/466569-148	Taffy
	Reverse
ZGFA6/466569-149	Rishi
	Reverse
ZGFA7/466569-150	Backcountry
	Reverse
ZGFA8/466569-151	Buckthorn
	Reverse
ZGFA9/466569-152	Coniferous
	Reverse
ZGFB0/466569-153	Delphic
	Reverse
ZGFB1/466569-154	Hieroglyph
	Reverse
ZGFB2/466569-155	Eiderdown
	Reverse
ZGFB3/466569-157	Tanager
	Reverse

### Petra - Maharam

Ancillary/Seating	
55" wide	
70% wool	
19% linen	
11% nylon	
ZP401/466580-001	Hieroglyph
ZP402/466580-002	Interior
ZP403/466580-003	Samovar
ZP404/466580-004	Calcite
ZP405/466580-005	Silversmith
ZP406/466580-006	Rivet
ZP407/466580-007	Carpolite
ZP408/466580-008	Bonbon

### Petra *continued*

ZP409/466580-009	Dreamy
ZP410/466580-010	Bejewel
ZP411/466580-011	Sashimi
ZP412/466580-012	Spirula
ZP413/466580-013	Chalet
ZP414/466580-014	Reindeer
ZP415/466580-015	Nostalgia
ZP416/466580-016	Trove
ZP417/466580-017	Narcissus
ZP418/466580-018	Yurt
ZP419/466580-019	Congee
ZP420/466580-020	Genepy
ZP421/466580-021	Herbaceous
ZP422/466580-022	Paddock
ZP423/466580-023	Precious
ZP424/466580-024	Biome
ZP425/466580-025	Tinted
ZP426/466580-026	Pelagic
ZP427/466580-027	Bluebill
ZP428/466580-028	Chicory
ZP429/466580-029	Eaglet
ZP430/466580-030	Permafrost
ZP431/466580-031	Atlantic
ZP432/466580-032	Airstream
ZP433/466580-033	Debonair

### Superweave - Maharam

Ancillary	
54" wide	
75% polyester	
25% cotton	
Z2203/466241-005	Sienna
Z2204/466241-002	Ochre
Z2207/466241-004	Marine
Z2208/466241-003	Olive
Z2220/466241-001	Orange and Pink

## Price Category 11

### Felix - Maharam

Ancillary/Seating	
85% wool	
15% nylon	
3BS01	Angular
3BS02	Shark
3BS03	Easy
3BS04	Cue
3BS05	Rye
3BS06	Champion
3BS07	Between
3BS08	Propose
3BS09	Rising
3BS10	Tile
3BS11	Place
3BS12	Kernel
3BS13	Pinnacle
3BS14	Darling
3BS15	Seasonal
3BS16	Shipmate
3BS17	Jump
3BS18	Geyser
3BS19	Team

### Prone Leather - Maharam

Ancillary	
approx. 50 sq. ft. per hide	
100% leather	
protective top coat	
1NX01/700020-001	Lotus
1NX02/700020-002	Timbre
1NX03/700020-003	Essence
1NX04/700020-004	Script
1NX05/700020-005	Gambit
1NX06/700020-006	Obsidian
1NX07/700020-007	Sail
1NX09/700020-009	Vine
1NX10/700020-010	Yarrow
1NX13/700020-013	Balsa
1NX14/700020-014	Shore
1NX15/700020-015	Bricolage
1NX17/700020-017	Ledge
1NX19/700020-019	Mantra
1NX20/700020-020	Java
1NX21/700020-021	Lute
1NX22/700020-022	Glow
1NX23/700020-023	Hickory

### Tenera Leather - Geiger Textile

Ancillary	
approx. 55 sq. ft. per hide	
100% leather	
17501	Cement
17502	Marzipan
17504	Raw Sienna
17505	Maple
17508	Cranberry
17510	Dark Chocolate
17511	Black
17512	Carbon
17513	Sapphire

- Maharam textiles are on assigned lead times [A](#).
- Fabric numbers are listed as Herman Miller fabric number/Maharam fabric number.

# Textile Colors

continued

## Price Category 12-13

No fabrics available at this time.

## Price Category 14

### Lanalux - Maharam

Ancillary  
 54" wide  
 100% wool  
 Z1375/466240-005 Black/White  
 Z1378/466240-006 Olive/Black  
 Z1380/466240-001 Natural  
 Z1383/466240-002 Umber  
 Z1384/466240-007 Natural/Black  
 Z1386/466240-003 Orange  
 Z1387/466240-004 Crimson

## Price Category A

No fabrics available at this time.

## Price Category B

### Medium – Maharam

Ancillary/Seating/Workspaces  
 54" wide  
 100% polyester  
 VM01/463490-001 Raven  
 VM02/463490-002 Smoke  
 VM03/463490-003 Alloy  
 VM04/463490-004 Flax  
 VM07/463490-007 Espresso  
 VM14/463490-014 Laser  
 VM16/463490-016 Port  
 VM22/463490-022 Marina  
 VM29/463490-029 Pistachio  
 VM32/463490-032 Prospect  
 VM36/463490-036 Delight  
 VM39/463490-039 Nautical  
 VM40/463490-040 Pool  
 VM44/463490-044 Washed  
 VM45/463490-045 Sculpture  
 VM46/463490-046 Thatched  
 VM47/463490-047 Hike  
 VM48/463490-048 Tangle  
 VM49/463490-049 Pacific  
 VM50/463490-050 Cosmic  
 VM51/463490-051 Cascade  
 VM52/463490-052 Blackberry  
 VM53/463490-053 Nasturtium

### Messenger – Maharam

Ancillary/Seating/Workspaces  
 54" wide  
 78% post-industrial recycled polyester  
 15% polyester, 7% nylon  
 TI07/458640-007 Shadow  
 TI08/458640-008 Bayou \*  
 TI24/458640-024 Poppy  
 TI25/458640-025 Mao  
 TI29/458640-029 Onyx \*  
 TI31/458640-031 Cloud \*  
 TI38/458640-038 Depth \*  
 TI40/458640-040 Nile \*  
 TI41/458640-041 Azure \*

Price category B continued on next page

- Maharam textiles are on assigned lead times [A](#).
- Fabric numbers are listed as Herman Miller fabric number/Maharam fabric number.

# Textile Colors

continued

## Price Category B

continued

Messenger continued	
TI45/458640-045	Cactus *
TI46/458640-046	Ice * **
TI48/458640-048	Neon
TI50/458640-050	Hydrangea
TI53/458640-053	Tangelo
TI54/458640-054	Lumine *
TI58/458640-058	Snow ** ***
TI60/458640-060	Peridot
TI61/458640-061	Capri *
TI62/458640-062	Ultramarine
TI63/458640-063	Squall
TI66/458640-066	Cassis
TI67/458640-067	Aster
TI69/458640-069	Cherry
TI70/458640-070	Vibrant
TI71/458640-071	Satsuma *
TI72/458640-072	Maize
TI76/458640-076	Fossil
TI77/458640-077	Ash
TI78/458640-078	Tusk
TI79/458640-079	Oyster **
TI81/458640-081	Husk
TI84/458640-084	Robust
TI85/458640-085	Beyond
TI86/458640-086	Voyage *
TI87/458640-087	Everglade
TI89/458640-089	Blanch ***
TI90/458640-090	Longspur
TI91/458640-091	Vireo
TI92/458640-092	Dipper
TI93/458640-093	Gale
TI94/458640-094	Hunter
TI95/458640-095	Lime
TI96/458640-096	Apple
TI97/458640-097	Krill
TI98/458640-098	Catalyst

\* Colors available on 20-day lead time.

\*\* Colors not available on Eames Molded Fiberglass and Molded Plastic Side Chairs.

\*\*\* Colors not available on Valor Seating.

- Maharam textiles are on assigned lead times [A](#).
- Fabric numbers are listed as Herman Miller fabric number/Maharam fabric number.

## Price Category C

Manner - Maharam	
Ancillary/Seating/Workspaces	
54" wide	
65% post-industrial recycled polyester	
35% post-consumer recycled polyester	
Z2701/466177-001	Magic
Z2702/466177-002	Carob
Z2703/466177-003	Porpoise
Z2704/466177-004	Flint
Z2705/466177-005	Hush *
Z2706/466177-006	Nuance
Z2711/466177-011	Ember
Z2712/466177-012	Wagon
Z2713/466177-013	Ablaze
Z2714/466177-014	Peel
Z2716/466177-016	Butterscotch
Z2717/466177-017	Harvest
Z2720/466177-020	Parakeet
Z2722/466177-022	Aquatic
Z2723/466177-023	Cottage
Z2724/466177-024	Dahlia
Z2725/466177-025	Vivid
Z2726/466177-026	Basin
Z2727/466177-027	Schooner
Z2728/466177-028	Slope
Z2729/466177-029	Silverpoint
Z2730/466177-030	Lattice
Z2731/466177-031	Smoky
Z2732/466177-032	Magnetic
Z2733/466177-033	Woad
Z2734/466177-034	Resolute
Z2735/466177-035	Cruise
Z2736/466177-036	Atmospheric
Z2737/466177-037	Cloudburst
Z2738/466177-038	Tidewater
Z2739/466177-039	Firth
Z2740/466177-040	Oceanside
Z2741/466177-041	Grandeur
Z2742/466177-042	Comfort
Z2743/466177-043	Dill
Z2744/466177-044	Poplar
Z2745/466177-045	Citronella
Z2746/466177-046	Passerine

Manner continued	
Z2747/466177-047	Southwest
Z2748/466177-048	Roseate
Z2749/466177-049	Charisma
Z2750/466177-050	Siltstone
Z2751/466177-051	Kimono
Z2752/466177-052	Valiant
Z2753/466177-053	Baroness

\* Color not available on Eames Aluminum Group, Executive Chairs, Upholstered Molded Plywood Chairs, and Sofa Compact.

Merit - Maharam	
Ancillary/Seating	
54" wide	
76% post-industrial recycled polyester	
24% polyester	
PFOA-Free stain resistant	
88Z01/466444-001	Trickle
88Z02/466444-002	Beluga
88Z03/466444-003	Gunmetal
88Z04/466444-004	Blackout
88Z05/466444-005	Superior
88Z06/466444-006	Ocean
88Z07/466444-007	Highborn
88Z08/466444-008	Immersed
88Z09/466444-009	Rainfall
88Z10/466444-010	Blizzard
88Z11/466444-011	Poolside
88Z12/466444-012	Steel
88Z13/466444-013	Zircon
88Z14/466444-014	Ripple
88Z15/466444-015	Aegean
88Z16/466444-016	Armada
88Z17/466444-017	Hedera
88Z18/466444-018	Rainforest
88Z19/466444-019	Gator
88Z20/466444-020	Vineyard
88Z21/466444-021	Pine
88Z22/466444-022	Kiwi
88Z23/466444-023	Kookaburra

Merit continued	
88Z24/466444-024	Bellini
88Z25/466444-025	Sunflower
88Z26/466444-026	Sandstorm
88Z27/466444-027	Mudder
88Z28/466444-028	Lynx
88Z29/466444-029	Farro
88Z30/466444-030	Manila
88Z31/466444-031	Starfish
88Z32/466444-032	Brass
88Z33/466444-033	Arrow
88Z34/466444-034	Gelato
88Z35/466444-035	Nectarine
88Z36/466444-036	Macaron
88Z37/466444-037	Alert
88Z38/466444-038	Goji
88Z39/466444-039	Cabernet
88Z40/466444-040	Eggplant
88Z41/466444-041	Hawk
88Z42/466444-042	Stag
88Z43/466444-043	Overcast

Metric - Maharam	
Ancillary/Seating/Workspaces	
54" wide	
51% post-industrial recycled polyester	
49% polyester	
Z302/466014-002	Fog
Z303/466014-003	Fleece
Z312/466014-012	Cardinal
Z313/466014-013	Lava
Z318/466014-018	Pollen
Z320/466014-020	Alligator
Z323/466014-023	Tar
Z324/466014-024	Anchor
Z326/466014-026	Admiral
Z327/466014-027	Seaport
Z328/466014-028	Scuba
Z329/466014-029	Skate
Z330/466014-030	Hopscotch
Z331/466014-031	Film
Z332/466014-032	Whale
Z333/466014-033	Downpour
Z334/466014-034	Midday

Price category C continued on next page

# Textile Colors

continued

## Price Category C

continued

Metric continued	
Z335/466014-035	Talisman
Z336/466014-036	Hedgerow
Z337/466014-037	Snorkel
Z338/466014-038	Highway
Z339/466014-039	Canary
Z340/466014-040	Sunny
Z341/466014-041	Aztec
Z342/466014-042	Fruit
Z343/466014-043	Galah
Z344/466014-044	Kiln
Z345/466014-045	Moth

Murmur - Maharam	
Ancillary/Seating	
55" wide	
100% polyester	
PFOA-Free stain resistant	
8EY01/466446-001	Gust
8EY02/466446-002	Harmonica
8EY03/466446-003	Canopy
8EY04/466446-004	Dim
8EY05/466446-005	Peppercorn
8EY06/466446-006	Cauldron
8EY07/466446-007	Conquer
8EY08/466446-008	Rapids
8EY09/466446-009	Seawater
8EY10/466446-010	Baby
8EY11/466446-011	Elderberry
8EY12/466446-012	Iceberg
8EY13/466446-013	Tallgrass
8EY14/466446-014	Underground
8EY15/466446-015	Biome
8EY16/466446-016	Cask
8EY17/466446-017	Argan
8EY18/466446-018	Sundown
8EY19/466446-019	Ignite
8EY20/466446-020	Sultry
8EY21/466446-021	Sangria

## Price Category D

Bluff - Maharam	
Ancillary/Seating	
54" wide	
100% polyurethane	
Ink-resistant protective top coat	
Polyester backing	
8I801/466489-001	Loom
8I802/466489-002	Helm
8I803/466489-003	Cruller
8I804/466489-004	Folklore
8I805/466489-005	Beguile
8I806/466489-006	Sherpa
8I807/466489-007	Teleport
8I808/466489-008	Annex
8I809/466489-009	Lorimer
8I810/466489-010	Cinema
8I811/466489-011	Zip
8I812/466489-012	Coach
8I813/466489-013	Supernova
8I814/466489-014	Pirate
8I815/466489-015	Academy
8I816/466489-016	Disco
8I817/466489-017	Equator
8I818/466489-018	Brink
8I819/466489-019	Scene
8I820/466489-020	Petrichor
8I821/466489-021	Exotic
8I822/466489-022	Fauna
8I823/466489-023	Calabash
8I824/466489-024	Fuscous
8I825/466489-025	Wildling
8I826/466489-026	Blitz
8I827/466489-027	Allspice
8I828/466489-028	Lumos
8I829/466489-029	Pilot
8I830/466489-030	Jukebox
8I831/466489-031	Dugout
8I832/466489-032	Claret
8I833/466489-033	Flamenco

Mode - Maharam	
Ancillary/Seating/Workspaces	
54" wide	
80% post-consumer recycled polyester	
20% polyester	
PFOA-Free stain resistant finish	
ZMD01/466337-001	Stroll
ZMD02/466337-002	Intaglio
ZMD03/466337-003	Ominous
ZMD04/466337-004	Machine
ZMD05/466337-005	Talus
ZMD06/466337-006	Marsh
ZMD07/466337-007	Hollow
ZMD08/466337-008	Sycamore
ZMD09/466337-009	Clavicle
ZMD10/466337-010	Billygoat
ZMD11/466337-011	Spindle
ZMD12/466337-012	Lemon
ZMD13/466337-013	Oxeye
ZMD14/466337-014	Henge
ZMD15/466337-015	Goldenrod
ZMD16/466337-016	Cottontail
ZMD17/466337-017	Lioness
ZMD18/466337-018	Oriole
ZMD19/466337-019	Rust
ZMD20/466337-020	Carotene
ZMD21/466337-021	Blush
ZMD22/466337-022	Vermilion
ZMD23/466337-023	Alder
ZMD24/466337-024	Kermes
ZMD25/466337-025	Barberry
ZMD26/466337-026	Petal
ZMD27/466337-027	Valley
ZMD28/466337-028	Odyssey
ZMD29/466337-029	Ballpoint
ZMD30/466337-030	Toile
ZMD31/466337-031	Paradise

Mode continued	
ZMD32/466337-032	Angelfish
ZMD33/466337-033	Denim
ZMD34/466337-034	Crush
ZMD35/466337-035	Jetty
ZMD36/466337-036	Saltwater
ZMD37/466337-037	Mallard
ZMD38/466337-038	Celtic
ZMD39/466337-039	Eucalyptus
ZMD40/466337-040	Bonsai
ZMD41/466337-041	Sassafras
ZMD42/466337-042	Yucca
ZMD43/466337-043	Lichen

Spiral - Maharam	
Workspaces	
66" wide	
100% polyester	
ZS301/901882-001	Chalk
ZS303/901882-003	Wheat
ZS304/901882-004	Mica
ZS305/901882-005	Pavement
ZS306/901882-006	Graphite

- Maharam textiles are on assigned lead times [A](#).
- Fabric numbers are listed as Herman Miller fabric number/Maharam fabric number.

# Textile Colors

continued

## Price Category E

Article – Maharam	
Ancillary/Seating	
54" wide	
100% vinyl	
ZAT08/458600-008	Marina
ZAT13/458600-013	Flume
ZAT14/458600-014	Storm
ZAT15/458600-015	Toast
ZAT19/458600-019	Fleece
ZAT22/458600-022	Stone
ZAT26/458600-026	Mercury
ZAT29/458600-029	Bluegrass
ZAT31/458600-031	Truffle
ZAT32/458600-032	Gravel
ZAT33/458600-033	Value
ZAT34/458600-034	Tint
ZAT35/458600-035	Snowflake
ZAT36/458600-036	Chalice
ZAT37/458600-037	Trail
ZAT38/458600-038	Pyramid
ZAT39/458600-039	Desert
ZAT40/458600-040	Lei
ZAT41/458600-041	Rouge
ZAT42/458600-042	Karma
ZAT43/458600-043	Opal
ZAT44/458600-044	Periwinkle
ZAT45/458600-045	Vampire
ZAT46/458600-046	Surf
ZAT47/458600-047	Plumage

Flock - Maharam	
Workspaces	
63" wide	
100% polyester	
ZF301/901892-001	Calm
ZF302/901892-002	Course
ZF303/901892-003	Highlight
ZF305/901892-005	Poppy
ZF306/901892-006	Briefcase
ZF307/901892-007	Monkstrap
ZF308/901892-008	Quag
ZF309/901892-009	Pistachio
ZF310/901892-010	Froth
ZF311/901892-011	Celadon
ZF312/901892-012	Highsea
ZF313/901892-013	China
ZF314/901892-014	Victorian
ZF315/901892-015	Commander
ZF316/901892-016	Raven
ZF317/901892-017	Aluminum

Micro – Maharam	
Ancillary	
54" wide	
100% vinyl	
ZMB01/466099-001	Muslin
ZMB04/466099-004	Basalt
ZMB06/466099-006	Phantom
ZMB07/466099-007	Depth
ZMB08/466099-008	Cottage
ZMB09/466099-009	Hunter
ZMB11/466099-011	Tomatillo
ZMB12/466099-012	Brew
ZMB14/466099-014	Tang
ZMB15/466099-015	Risk

Parallel – Maharam	
Workspaces	
66" wide	
100% recycled polyester	
TT03/901180-003	Fog
TT22/901180-022	Sterling
TT23/901180-023	Linen
TT24/901180-024	Pea
TT27/901180-027	Boulder
TT28/901180-028	Stream
TT29/901180-029	Shiitake
TT32/901180-032	Brandy
TT33/901180-033	Crater
TT36/901180-036	Quail

## Price Category F

Apt – Maharam	
Ancillary/Seating	
54" wide	
100% polyurethane/silicone	
Ink-resistant protective top coat	
Polyester backing	
82T12/466392-012	Iris
82T13/466392-013	Nocturnal
82T14/466392-014	Fluid
82T15/466392-015	Eden
82T16/466392-016	Galactic
82T17/466392-017	Shoreline
82T18/466392-018	Jade
82T19/466392-019	Garden
82T20/466392-020	Botanic
82T21/466392-021	Chartreuse
82T23/466392-023	Lyric
82T24/466392-024	Turmeric
82T25/466392-025	Bengal
82T26/466392-026	Core
82T27/466392-027	Mantle
82T28/466392-028	Sorbet
82T32/466392-032	Oak
82T33/466392-033	Castle
82T34/466392-034	Follow
82T35/466392-035	Elixir
82T36/466392-036	Charm
82T37/466392-037	Descend
82T38/466392-009	Sketch
82T39/466392-010	Glacier
82T40/466392-031	Fortress
82T41/466392-030	Lotus
82T42/466392-001	Coconut
82T43/466392-011	Cobblestone
82T44/466392-029	Bloom
82T45/466392-022	Crepe
82T46/466392-006	Hickory
82T47/466392-007	Constellation
82T48/466392-008	Labyrinth
82T49/466392-002	Vibe
82T50/466392-003	Stampede
82T51/466392-004	Lumber
82T52/466392-005	Gingerbread

Appendix: Textile Colors

- Maharam textiles are on assigned lead times [A](#).
- Fabric numbers are listed as Herman Miller fabric number/Maharam fabric number.

Price category F continued on next page

# Textile Colors

continued

## Price Category F

continued

Appendix: Textile Colors

Brindle - Maharam	
Ancillary/Seating	
58" wide	
100% polyester	
PFOA-free stain resistant	
Acrylic backing	
87101/466418-001	Calico
87102/466418-002	Mauve
87103/466418-003	Torch
87104/466418-004	Burnt
87105/466418-005	Barn
87106/466418-006	Pharaoh
87107/466418-007	Sandbur
87108/466418-008	Jungle
87109/466418-009	Inland
87110/466418-009	Seagrass
87111/466418-009	Watercolor
87112/466418-009	Aquarium
87113/466418-009	Drill

Chime - Maharam	
Ancillary	
54" wide	
100% vinyl	
V9M3/465350-003	Morel
V9MB/465350-011	Tranquil
V9M/465350-020	Slate
V9MV/465350-031	Verve
V9MW/465350-032	Understory

Conduit - Maharam	
Ancillary/Seating	
58" wide	
100% polyester	
PFOA-free stain resistant	
Acrylic backing	
87Z01/466428-001	Space
87Z02/466428-002	Syrup
87Z03/466428-003	Nimbus
87Z04/466428-004	Greystone
87Z05/466428-005	Fawn
87Z06/466428-006	Ghost
87Z07/466428-007	Caribbean
87Z08/466428-008	Canal
87Z09/466428-009	Bonfire

Emit - Maharam	
Workspaces	
54" wide	
55% post-industrial recycled polyester	
45% post-consumer recycled polyester	
PFOA-free stain resistant	
8EX01/466378-001	Wed
8EX02/466378-002	Zebra
8EX03/466378-003	Chiffon
8EX05/466378-005	Nectar
8EX06/466378-006	Elk
8EX08/466378-008	Goldenrod
8EX09/466378-009	Beached
8EX10/466378-010	Samba
8EX11/466378-011	Nest
8EX14/466378-014	Groove
8EX17/466378-017	Haiku
8EX18/466378-018	Bluefin
8EX19/466378-019	Flow
8EX20/466378-020	Xenon
8EX21/466378-021	Artem
8EX22/466378-022	Zen
8EX25/466378-025	Limeade

Instill - Maharam	
Ancillary/Seating	
54" wide	
100% polyurethane	
Ink-resistant protective top coat	
Polyester backing	
74M01/466351-001	Page
74M02/466351-002	Limestone
74M03/466351-003	Bobwhite
74M04/466351-004	Loafer
74M07/466351-007	Shaker
74M08/466351-008	Doe
74M09/466351-009	Ride
74M10/466351-010	Squire
74M11/466351-011	Tannin
74M12/466351-012	Vitis
74M14/466351-014	Quail
74M15/466351-015	Brittanic
74M16/466351-016	Narwhal
74M18/466351-018	Stowaway
74M19/466351-019	Koala
74M20/466351-020	Dorsal
74M21/466351-021	Stealth
74M22/466351-022	Mosey
74M23/466351-023	Beachfront
74M24/466351-024	Discovery
74M25/466351-025	Grasp
74M26/466351-026	Arboreous
74M27/466351-027	Yearling
74M28/466351-028	Allele
74M29/466351-029	Eager
74M30/466351-030	Rise
74M31/466351-031	Latte
74M32/466351-032	Compose
74M33/466351-033	Furrow
74M34/466351-034	Tenor
74M35/466351-035	Annatto
74M36/466351-036	Together
74M37/466351-037	Intention
74M38/466351-038	Overnight
74M39/466351-039	Icecap
74M40/466351-040	Metamorphic
74M41/466351-041	Anthracite

Keen - Maharam	
Ancillary/Seating	
54" wide	
61% polyester	
39% polyolefin	
PFOA-Free stain resistant	
Acrylic backing	
89N01/466433-001	Gaur
89N02/466433-002	Lock
89N03/466433-003	Elk
89N04/466433-004	Oatmeal
89N05/466433-005	Lakefront
89N06/466433-006	Argent
89N07/466433-007	Coyote
89N08/466433-008	Eventide
89N09/466433-009	Canal
89N10/466433-010	Rosemary
89N11/466433-011	Herb
89N12/466433-012	Ruby
89N13/466433-013	Loganberry

Ledger - Maharam	
Ancillary/Seating	
54" wide	
100% polyurethane	
V9G1/463770-001	001
V9G2/463770-002	002
V9G3/463770-003	003
V9G4/463770-004	004
V9GG/463770-017	017
V9GQ/463770-025	025
V9GS/463770-026	026
V9GU/463770-028	028
V9GV/463770-029	029
V9GW/463770-030	030
V9GX/463770-031	031
V9GY/463770-032	032
V9G18/463770-042	042
V9G19/463770-043	043
V9G20/463770-044	044
V9G21/463770-045	045
V9G22/463770-046	046

Price category F continued on next page

- Maharam textiles are on assigned lead times [A](#).
- Fabric numbers are listed as Herman Miller fabric number/Maharam fabric number.

# Textile Colors

continued

## Price Category F

continued

Loop - Maharam	
Ancillary/Seating	
57" wide	
48% post-industrial recycled polyester	
26% polyester	
26% post-consumer recycled polyester	
PFOA-Free stain resistant	
Acrylic Backing	
ZLL01/466469-001	Opossum
ZLL02/466469-002	Foundation
ZLL03/466469-003	Naval
ZLL04/466469-004	Buoyant
ZLL05/466469-005	Mockingbird
ZLL06/466469-006	Dynasty
ZLL07/466469-007	Zori
ZLL08/466469-008	Wildfire
ZLL09/466469-009	Floral
ZLL10/466469-010	Penguin

Multiply - Maharam	
Ancillary/Seating	
58" wide	
57% post-consumer recycled polyester	
43% post-industrial recycled polyester	
PFOA-Free stain resistant	
Acrylic Backing	
82A01/466341-001	Winter
82A02/466341-002	Encore
82A03/466341-003	Swing
82A04/466341-004	Contrast
82A05/466341-005	Sterling
82A06/466341-006	Daze
82A07/466341-007	Sway
82A08/466341-008	Sailor
82A09/466341-009	Mystique
82A10/466341-010	Deep
82A11/466341-011	Craft
82A12/466341-012	Town
82A13/466341-013	Limit
82A14/466341-014	Tamale

Pitch - Maharam	
Ancillary	
54" wide	
100% vinyl	
ZPC04/466186-004	Pollen
ZPC07/466186-007	Apple
ZPC11/466186-011	Voyage
ZPC12/466186-012	Turquoise
ZPC14/466186-014	Inlet
ZPC15/466186-015	Captain
ZPC16/466186-016	Aura
ZPC17/466186-017	Coastal
ZPC18/466186-018	Fog
ZPC19/466186-019	Coal
ZPC21/466186-021	Mulberry
ZPC24/466186-024	Flame
ZPC26/466186-026	Tumbleweed
ZPC29/466186-029	Subtle
ZPC30/466186-030	Buff

Pepper - Maharam	
Ancillary/Seating	
58" wide	
49% polyester	
41% post-industrial recycled polyester	
10% post-consumer recycled polyester	
PFOA-Free stain resistant	
Acrylic Backing	
8LW01/466486-001	Dojo
8LW02/466486-002	Marengo
8LW03/466486-003	Harlequin
8LW04/466486-004	Pavlova
8LW06/466486-006	Achiote
8LW07/466486-007	Essence
8LW08/466486-008	Genome
8LW09/466486-009	Myriad
8LW10/466486-010	Terrarium

Scuba - Maharam	
Ancillary	
54" wide	
100% polyurethane	
V9B1/464930-001	Vanilla
V9B5/464930-005	Chinchilla
V9B6/464930-006	Mahogany
V9B7/464930-007	Jet
V9B8/464930-008	Charcoal
V9B9/464930-009	Dolphin
V9BA/464930-010	Drizzle
V9BC/464930-012	Conifer
V9BD/464930-013	Bottle
V9BF/464930-015	Tourmaline
V9BG/464930-016	Sapphire
V9BH/464930-017	Electric
V9BL/464930-020	Cabernet
V9BM/464930-021	Brick
V9BN/464930-022	Coral
V9BP/464930-023	Autumn

Strum - Maharam	
Ancillary/Seating	
54" wide	
100% polyurethane with silane-based antimicrobial	
Z3301/466122-001	Overcast
Z3302/466122-002	Ridge
Z3304/466122-004	Pigeon
Z3307/466122-007	Bur
Z3308/466122-008	Abalone
Z3312/466122-012	Lemongrass

## Price Category G

Compound - Maharam	
Ancillary/Seating	
54" wide	
100% polyurethane with silane-based antimicrobial	
ZC201/466196-001	Quartz
ZC203/466196-003	Weathered
ZC204/466196-004	Cliff
ZC205/466196-005	Espresso
ZC206/466196-006	Smolder
ZC207/466196-007	Blaze
ZC208/466196-008	Mandarin
ZC209/466196-009	Maple
ZC210/466196-010	Perennial
ZC211/466196-011	Mountainside
ZC212/466196-012	Tundra
ZC213/466196-013	Manatee
ZC214/466196-014	Marine
ZC215/466196-015	Twilight
ZC216/466196-016	Shelter
ZC217/466196-017	Vessel
ZC218/466196-018	Smoke
ZC219/466196-019	Fog

Fluent Crypton - Maharam	
Ancillary	
54" wide	
52% polyester	
31% post-industrial recycled polyester	
17% post-consumer recycled polyester	
ZFC01/466073-001	Lynx
ZFC12/466073-012	Bayou
ZFC13/466073-013	Bottle
ZFC14/466073-014	Cadet
ZFC22/466073-022	Turf
ZFC24/466073-024	Steady

Price category G continued on next page

Appendix: Textile Colors

- Maharam textiles are on assigned lead times [A](#).
- Fabric numbers are listed as Herman Miller fabric number/Maharam fabric number.

# Textile Colors

continued

Appendix: Textile Colors

## Price Category G

continued

Fold - Maharam	
Seating	
54" wide	
100% polyurethane	
Polyester backing	
ZF101/466292-001	Jet
ZF102/466292-002	Chalk
ZF103/466292-003	Smoke
ZF105/466292-005	Fatigue
ZF106/466292-006	Splash
ZF107/466292-007	Apple
ZF108/466292-008	Moss
ZF110/466292-010	Midnight

Gild - Maharam	
Ancillary/Seating	
54" wide	
100% non-phthalate vinyl	
Ink-resistant protective top coat	
Polyester backing	
8AR01/466432-005	Grapevine
8AR02/466432-009	Frosting
8AR03/466432-007	Smokey
8AR04/466432-003	Skylight
8AR05/466432-011	Sandstone
8AR06/466432-004	Hurricane
8AR07/466432-002	Wreath
8AR08/466432-001	Rainforest
8AR09/466432-012	Fudge
8AR10/466432-010	Lantern
8AR11/466432-006	Planet
8AR12/466432-008	Reflection

Pare - Maharam	
Ancillary/Seating	
54" wide	
52% wool	
26% polyester	
22% nylon	
PFOA-free stain resistant finish	
ZPR01/466359-001	Polaris
ZPR04/466359-004	Fresco
ZPR06/466359-006	Wink
ZPR07/466359-007	Concord
ZPR08/466359-008	Strawberry
ZPR09/466359-009	Solar
ZPR10/466359-010	Amulet
ZPR11/466359-011	Zest
ZPR12/466359-012	Elmwood
ZPR13/466359-013	Thyme
ZPR17/466359-017	Blueberry

Runner - Maharam	
Ancillary/Seating	
54" wide	
57% post-industrial recycled polyester	
43% post-consumer recycled polyester	
ZRF01/466108-001	Bluff
ZRF03/466108-003	Grove
ZRF04/466108-004	Starboard
ZRF05/466108-005	Plot
ZRF06/466108-006	Carousel

Sudden - Maharam	
Ancillary	
54" wide	
100% polyurethane	
ZSD02/463000-002	002
ZSD03/463000-003	003
ZSD05/463000-005	005
ZSD06/463000-006	006
ZSD07/463000-007	007
ZSD08/463000-008	008
ZSD09/463000-009	009
ZSD10/463000-010	010
ZSD11/463000-011	011
ZSD13/463000-013	013
ZSD15/463000-015	015
ZSD16/463000-016	016
ZSD17/463000-017	017
ZSD18/463000-018	018
ZSD19/463000-019	019
ZSD20/463000-020	020
ZSD24/463000-024	024
ZSD27/463000-027	027
ZSD36/463000-036	036

## Price Category H

Anagram - Maharam	
Ancillary	
54" wide	
42% cotton	
32% polyester	
26% nylon	
ZAN01/466067-001	Quarry
ZAN02/466067-002	Hush
ZAN03/466067-003	Electric
ZAN04/466067-004	Range
ZAN05/466067-005	Settle

Circles - Maharam	
Ancillary/Seating	
55" wide	
70% cotton	
30% polyester	
ZT01/458310-001	Khaki
ZT02/458310-002	Fatigue
ZT03/458310-003	Document
ZT04/458310-004	Engine

Dot Pattern - Maharam	
Ancillary/Seating	
55" wide	
71% cotton	
29% polyester	
ZK01/458300-001	Document
ZK02/458300-002	Taupe
ZK04/458300-004	Red
ZK05/458300-005	Navy

Mechanism - Maharam	
Ancillary	
54" wide	
100% polyester	
ZMC01/465952-001	Mercury
ZMC10/465952-010	Pearl
ZMC11/465952-011	Bronze
ZMC13/465952-013	Titanium
ZMC15/465952-015	Tangerine
ZMC17/465952-017	Sprout

Price category H continued on next page

- Maharam textiles are on assigned lead times [A](#).
- Fabric numbers are listed as Herman Miller fabric number/Maharam fabric number.



# Textile Colors

continued

## Price Category H

continued

Mister – Maharam	
Ancillary	
54" wide	
67% solution-dyed acrylic	
33% solution-dyed polyester	
ZMG01/466178-001 Breeze	
ZMG04/466178-004 Enliven	
ZMG05/466178-005 Notice	
ZMG06/466178-006 Azurite	

Regatta – Maharam	
Ancillary	
54" wide	
65% solution-dyed acrylic	
35% solution-dyed polyester	
ZRT01/466189-001 Drift	
ZRT02/466189-002 Parasol	
ZRT04/466189-004 Swell	

Small Dot Pattern – Maharam	
Ancillary/Seating	
55" wide	
71% cotton	
29% polyester	
ZL01/458320-001 Document	
ZL02/458320-002 Sand	
ZL03/458320-003 Khaki	
ZL04/458320-004 Taupe	
ZL05/458320-005 Charcoal	
ZL06/458320-006 Document	
Reverse	
ZL07/458320-007 Red	
ZL08/458320-008 Yellow	
ZL09/458320-009 Green	

## Price Category I

Colorwheel – Maharam	
Ancillary	
54" wide	
62% cotton	
38% solution-dyed	
post-industrial recycled nylon	
ZCW02/466163-002 Pumice	
ZCW03/466163-003 Viridian	
ZCW06/466163-006 Charcoal	
ZCW07/466163-007 Carbon	

Cursive – Maharam	
Ancillary/Seating	
54" wide	
67% solution-dyed acrylic	
33% solution-dyed polyester	
PFOA-Free stain resistant	
7CW01/466335-001 Fast	
7CW03/466335-003 Beachcomb	
7CW05/466335-005 Swift	
7CW07/466335-007 Inkwell	
7CW08/466335-008 Rubber	

Passage - Maharam	
Ancillary	
54" wide	
100% polyester	
59P01/466614-001 Mirage	
59P02/466614-002 Poolside	
59P03/466614-003 Cascade	
59P04/466614-004 Lacinato	
59P05/466614-005 Overstory	
59P06/466614-006 Celadon	
59P07/466614-007 Echo	
59P08/466614-008 Bentonite	
59P09/466614-009 Buttercup	
59P10/466614-010 Maple	
59P11/466614-011 Blossom	
59P12/466614-012 Cloudberry	
59P13/466614-013 Contessa	
59P14/466614-014 Claret	
59P15/466614-015 Katana	

Study - Maharam	
Ancillary/Seating	
54" wide	
73% solution-dyed acrylic	
27% solution-dyed polyester	
ZSY01/466269-001 001	
ZSY02/466269-002 002	
ZSY03/466269-003 003	
ZSY04/466269-004 004	
ZSY05/466269-005 005	

Tracery – Maharam	
Ancillary	
52" wide	
34% solution-dyed nylon	
26% wool	
21% polyester	
19% cotton	
acrylic backing	
PFOA-free stain resistant finish	
ZT501/466372-001 Birch	
ZT502/466372-002 Sterling	
ZT503/466372-003 Flint	
ZT504/466372-004 Indigo	
ZT505/466372-005 Arctic	
ZT506/466372-006 Kelp	
ZT507/466372-007 Melon	
ZT508/466372-008 Poppy	
ZT509/466372-009 Copper	
ZT510/466372-010 Papaya	
ZT511/466372-011 Sepia	

## Price Category J

Fluted Silk – Maharam	
Ancillary	
54" wide	
85% silk	
8% cotton	
7% acrylic	
ZFK02/465982-002 Tarnish	
ZFK05/465982-005 Calm	
ZFK06/465982-006 Flaxen	
ZFK10/465982-010 Noticed	
ZFK11/465982-011 Moody	
ZFK12/465982-012 Constant	
ZFK13/465982-013 Seed	
ZFK14/465982-014 Eternal	
ZFK15/465982-015 Honor	
ZFK17/465982-017 Cranach	
ZFK20/465982-020 Discreet	

Mikado – Maharam	
Ancillary	
54" wide	
79% cotton	
21% polyester	
V1901/459330-001 Umber	
V1902/459330-002 Orange	
V1903/459330-003 Ultramarine	
V1904/459330-004 Pink	
V1905/459330-005 Sepia	

Price category J continued on next page

Appendix: Textile Colors

- Maharam textiles are on assigned lead times [A](#).
- Fabric numbers are listed as Herman Miller fabric number/Maharam fabric number.

# Textile Colors

continued

Appendix: Textile Colors

## Price Category J

continued

Trestle - Maharam	
Ancillary	
54" wide	
36% acrylic	
32% wool	
23% cotton	
9% polyester	
3WG01/466613-001	Loam
3WG02/466613-002	Rift
3WG03/466613-003	Fuse
3WG04/466613-004	Cumulus
3WG05/466613-005	Strand
3WG06/466613-006	Pomelo
3WG07/466613-007	Tawny
3WG08/466613-008	Sunstone
3WG09/466613-009	Kindling
3WG10/466613-010	Sidecar
3WG11/466613-011	Beak
3WG12/466613-012	Ficus
3WG13/466613-013	Hinge
3WG14/466613-014	Bluefish
3WG15/466613-015	Oblivion

## Price Category K

Checker – Maharam	
Ancillary	
55" wide	
77% cotton	
23% polyester	
V1201/459830-001	Emerald Light/ Ivory
V1204/459830-004	Ultramarine/ Emerald
V1206/459830-007	Sienna Dark/ Khaki
V1207/459830-008	Black/White
V1209/459830-009	Ultramarine/ Turquoise
V1210/459830-010	Blue Gray/ Emerald
V1211/459830-011	Olive/Pink
V1212/459830-012	Magenta/ Orange
V1213/459830-013	Crimson/ Orange

Checker Split – Maharam	
Ancillary	
55" wide	
77% cotton	
23% polyester	
V1301/460290-01	Black/White

Double Triangles – Maharam	
Ancillary	
55" wide	
77% cotton	
23% polyester	
V1401/459840-001	Black/White

Facets – Maharam	
Ancillary	
55" wide	
77% cotton	
23% polyester	
V1501/459850-001	Black/White

Isa – Maharam	
Ancillary	
59" wide	
85% wool	
15% nylon	
VKZ01/466624-001	Bashful
VKZ02/466624-002	Median
VKZ03/466624-003	Observe
VKZ04/466624-004	Plains
VKZ05/466624-005	Drawn
VKZ06/466624-006	Connect
VKZ07/466624-007	Fennel
VKZ08/466624-008	Skyward
VKZ09/466624-009	Oceanic
VKZ10/466624-010	Neptune
VKZ11/466624-011	Sprint
VKZ12/466624-012	Ledge
VKZ13/466624-013	Surround
VKZ14/466624-014	Foretell
VKZ15/466624-015	Lory
VKZ16/466624-016	Dear
VKZ17/466624-017	Foxtrot
VKZ18/466624-018	Sincere
VKZ19/466624-019	Begonia

Optik – Maharam	
Ancillary	
55" wide	
76% cotton	
24% polyester	
ZQP01/459960-001	Sun Yellow/ Orange
ZQP06/459960-006	White/Black

Unisol – Maharam	
Ancillary	
55" wide	
61% rayon	
21% polyester	
18% cotton	
ZUN01/461160-001	Black/ White

## Price Category L

Exaggerated Plaid – Maharam	
Ancillary	
59" wide	
100% wool	
ZEP01/466039-001	Glen
ZEP02/466039-002	Brae
ZEP03/466039-003	Firth

Geometri – Maharam	
Ancillary	
55" wide	
77% cotton	
23% polyester	
ZGM02/459970-002	Red/ Carmine
ZGM03/459970-003	Lilac/Blue
ZGM04/459970-004	White/ Black

Jacobs Coat – Maharam	
Ancillary	
54" wide	
92% wool	
8% nylon	
V1601/462270-001	Multicolored Bright *
V1602/462270-002	Multicolored Neutral

\* Color available on Girard Color Wheel Ottoman.

Millerstripe – Maharam	
Ancillary	
54" wide	
92% wool	
8% rayon	
V1701/462250-001	Multicolored Bright
V1702/462250-002	Multicolored Neutral

Price category L continued on next page

- Maharam textiles are on assigned lead times [A](#).
- Fabric numbers are listed as Herman Miller fabric number/Maharam fabric number.

# Textile Colors

continued

## Price Category L

continued

Minicheck - Maharam
Seating
55" wide
78% cotton
22% polyester
PFOA-Free stain resistant finish
ZMK01/466268-001 Black/ White

Monk's Wool – Maharam
Ancillary
54" wide
96% wool
4% nylon
ZMW01/457301-001 Tusk
ZMW03/457301-003 Slate
ZMW05/457301-005 Cherokee

Pebble Wool – Maharam
Ancillary
54" wide
90% wool
10% nylon
ZPW01/457401-001 Birch
ZPW10/457401-010 Cottage
ZPW13/457401-013 Eggshell
ZPW14/457401-014 Whisper
ZPW15/457401-015 Ceramic
ZPW16/457401-016 Seamist
ZPW17/457401-017 Armory
ZPW18/457401-018 Glaze
ZPW19/457401-019 Cordial

Pebble Wool Multi – Maharam
Ancillary
54" wide
97% wool
3% nylon
ZPM01/461200-001 Fawn
ZPM02/461200-002 Slate
ZPM05/461200-005 Moss
ZPM06/461200-006 Tabasco

Quatrefoil – Maharam
Ancillary
54" wide
75% cotton
25% nylon
V2101/459350-001 Silver
V2102/459350-002 Pink
V2103/459350-003 Crimson
V2104/459350-004 Emerald
V2105/459350-005 Violet

Repeat Classic Stripe – Maharam
Ancillary
55" wide
47% cotton
27% rayon
26% polyester
ZRS01/462170-001 Inca
ZRS02/462170-002 Pistachio
ZRS03/462170-003 Poppy
ZRS04/462170-004 Cadet
ZRS05/462170-005 Peacock

Repeat Dot Ring – Maharam
Ancillary
55" wide
75% cotton
25% polyester
ZRR01/462150-001 Gold
ZRR04/462150-004 Pink
ZRR05/462150-005 Coral
ZRR07/462150-007 Gold
Reverse
ZRR10/462150-010 Pink
Reverse
ZRR11/462150-011 Coral
Reverse

Stripes - Maharam
Ancillary
56" wide
92% wool
8% nylon
ZSP01/463980-001 001
ZSP02/463980-002 002
ZSP03/463980-003 003
ZSP04/463980-004 004
ZSP05/463980-005 005
ZSP06/463980-006 006
ZSP07/463980-007 007
ZSP08/463980-008 008
ZSP09/463980-009 009
ZSP10/463980-010 010

Toostripe – Maharam
Ancillary
54" wide
92% wool
8% nylon
V2201/462260-001 Orange Dark/ Crimson Dark
V2202/462260-002 Black/ Raw Umber
V2203/462260-003 Ochre Dark/ Sienna

## Price Category M

Fruit - Maharam
Seating
54" wide
55% cotton
32% nylon
13% post-consumer recycled polyester
PFOA-Free stain resistant finish
Acrylic backing
ZF201/466262-001 Opal
ZF202/466262-002 Lime
ZF203/466262-003 Olive
ZF204/466262-004 Sky
ZF207/466262-007 Russet

Names – Maharam
Ancillary
55" wide
73% cotton
27% polyester
V1801/462510-001 Crimson On White
V1802/462510-002 Ultramarine On White
V1803/462510-003 Black On White

Price category M continued on next page

- Maharam textiles are on assigned lead times A.
- Fabric numbers are listed as Herman Miller fabric number/Maharam fabric number.

# Textile Colors

continued

Appendix: Textile Colors

## Price Category M

continued

Ottoman Stripe – Maharam	
Ancillary	
58" wide	
92% wool	
8% nylon	
ZQN01/466142-001	Brass
ZQN02/466142-002	Cocoa
ZQN03/466142-003	Dusk
ZQN04/466142-004	Pistachio
ZQN05/466142-005	Apricot

Pressed Plaid – Maharam	
Ancillary	
54" wide	
100% wool	
T1101/466181-001	001
T1102/466181-002	002
T1103/466181-003	003
T1104/466181-004	004
T1105/466181-005	005
T1106/466181-006	006

Wool Striae – Maharam	
Ancillary	
54" wide	
100% wool	
T1201/466184-001	001
T1202/466184-002	002
T1203/466184-003	003
T1204/466184-004	004
T1205/466184-005	005
T1206/466184-006	006
T1207/466184-007	007

## Price Category N

Alpaca Epinglé - Maharam	
Ancillary	
55" wide	
100% alpaca	
ZAE01/465902-001	Vellum
ZAE02/465902-002	Slate
ZAE06/465902-006	Graphite
ZAE07/465902-007	Beignet

Alpaca Velvet - Maharam	
Ancillary	
54" wide	
100% alpaca	
ZAV01/465901-001	Alpine
ZAV06/465901-006	Charcoal
ZAV07/465901-007	Pewter
ZAV08/465901-008	Squash
ZAV09/465901-009	Wallaby
ZAV10/465901-010	Brunia

Bespoke Stripe - Maharam	
Ancillary	
56" wide	
100% wool	
ZBP01/463540-001	Navy
ZBP02/463540-002	Tobacco
ZBP03/463540-003	Chocolate
ZBP04/463540-004	Charcoal
ZBP05/463540-005	Black
ZBP06/463540-006	Pewter

Herringbone Stripe - Maharam	
Ancillary	
57" wide	
100% wool	
ZKP01/465945-001	Granite
ZKP02/465945-002	Espresso
ZKP03/465945-003	Graphite
ZKP04/465945-004	Indigo
ZKP05/465945-005	Raven

## Price Category O

Point – Maharam	
Ancillary	
53" wide	
97% rayon	
3% nylon	
ZPT01/466090-001	Ivory and Ember
ZPT02/466090-002	Black and Coral
ZPT03/466090-003	Slate and Khaki
ZPT04/466090-004	Black and Cobalt
ZPT05/466090-005	Black and Khaki
ZPT06/466090-006	Slate and Mandarin
ZPT07/466090-007	Slate and Black
ZPT08/466090-008	Brick and Greige
ZPT09/466090-009	Gold and Black
ZPT10/466090-010	Greige and Peat
ZPT11/466090-011	Peat and Mandarin
ZPT12/466090-012	Crimson
ZPT13/466090-013	Mandarin
ZPT14/466090-014	Citrus
ZPT15/466090-015	Grass
ZPT16/466090-016	Cyan
ZPT17/466090-017	Cobalt

Wool Velvet - Maharam	
Ancillary	
54" wide	
100% wool	
ZWV01/466120-001	Plush
ZWV02/466120-002	Subdue
ZWV03/466120-003	Flagstone
ZWV04/466120-004	Nori
ZWV06/466120-006	Bridle
ZWV07/466120-007	Covert
ZWV08/466120-008	Gateway

## Price Category O

Bavaria Stripe – Maharam	
Ancillary	
55" wide	
77% polyester	
23% cotton	
ZBS02/466161-002	Unique

- Maharam textiles are on assigned lead times. <sup>A</sup>
- Fabric numbers are listed as Herman Miller fabric number/Maharam fabric number.

# Textile Colors

continued

## Price Category P

Big Stripe – Maharam	
Ancillary	
55" wide	
92% wool	
8% nylon	
ZBR01/466174-001	Peacock
ZBR02/466174-002	Spring
ZBR03/466174-003	Umber
ZBR04/466174-004	Poppy
ZBR05/466174-005	Cobalt

Epinglé Stripe - Maharam	
Ancillary	
50" wide	
100% cotton	
ZES01/466007-001	Caramel
ZES02/466007-002	Lead
ZES03/466007-003	Violet
ZES04/466007-004	Mahogany
ZES05/466007-005	Olive

Layers Garden – Maharam	
Ancillary	
52" wide	
96% wool	
3% nylon	
1% polyester	
ZLY01/465916-001	Ivy/Bronze
ZLY02/465916-002	Putty/ Turquoise
ZLY03/465916-003	Pewter/ White
ZLY04/465916-004	Chocolate/ Lilac
ZLY05/465916-005	Peat/Copper

Layers Park – Maharam	
Ancillary	
52" wide	
95% wool	
3% nylon	
2% polyester	
ZLP01/465918-001	Ash/Snow
ZLP02/465918-002	Mineral/Sky
ZLP03/465918-003	Poppy/ Melon
ZLP04/465918-004	Indigo/ White
ZLP05/465918-005	Earth/Cobalt

Layers Vineyard Large – Maharam	
Ancillary	
52" wide	
95% wool	
3% nylon	
2% polyester	
ZLV01/465921-001	Ivory/Onyx
ZLV02/465921-002	Slate/Azure
ZLV03/465921-003	Loden/Sky
ZLV04/465921-004	Taupe/ Crimson
ZLV05/465921-005	Black/ Mahogany

Layers Vineyard Small – Maharam	
Ancillary	
52" wide	
92% wool	
5% polyester	
3% nylon	
ZLS01/465920-001	Ochre/White
ZLS02/465920-002	Scarlet/ Peony
ZLS03/465920-003	Taupe/Violet
ZLS04/465920-004	Jade/ Turquoise
ZLS05/465920-005	Ginger/Rose

Mohair Supreme - Maharam	
Ancillary	
54" wide	
100% mohair	
ZMS02/451801-072	Stonehenge
ZMS06/451801-112	Slate *
ZMS07/451801-113	Rich Chocolate *
ZMS09/451801-126	Cayenne
ZMS10/451801-127	Cognac
ZMS12/451801-129	Peat *
ZMS15/451801-133	Abyss
ZMS16/451801-134	Intrigue
ZMS18/451801-136	Lupine *
ZMS28/451801-146	League
ZMS29/451801-147	Armory *
ZMS32/451801-150	Capiz
ZMS33/451801-151	Underneath
ZMS34/451801-152	Crescent
ZMS35/451801-153	National
ZMS36/451801-154	Rooftop
ZMS37/451801-155	Skewer
ZMS38/451801-156	Party
ZMS39/451801-157	Keepsake
ZMS40/451801-158	Travel
ZMS41/451801-159	Estate
ZMS42/451801-160	Grassland
ZMS43/451801-161	Limoncello
ZMS44/451801-162	Mango
ZMS45/451801-163	Doll
ZMS46/451801-164	Carousel
ZMS47/451801-165	Palette
ZMS48/451801-166	Brandy
ZMS49/451801-167	Aristocrat
ZMS50/451801-168	Soulmate
ZMS51/451801-169	Rosette
ZMS52/451801-170	Aviator
ZMS53/451801-171	Penny

\* Colors available on Eames Lounge Chair and Ottoman.

## Price Category Q

A Band Apart – Maharam	
Ancillary	
56" wide	
75% polyester	
25% cotton	
ZAB01/466000-001	Unique

Brushed Camel – Maharam	
Ancillary	
58" wide	
100% baby camel hair	
ZBA01/465977-001	Albino
ZBA02/465977-002	Natural

Deconstructed Rose – Maharam	
Ancillary	
55" wide	
65% polyester	
32% cotton	
3% rayon	
ZDS01/466086-001	Golden
ZDS02/466086-002	Vivid
ZDS03/466086-003	Earthen

Massive Paisley – Maharam	
Ancillary	
57" wide	
76% polyester	
24% cotton	
ZMV01/465915-001	Ash
ZMV03/465915-003	Cardinal
ZMV06/465915-006	Night

The Firm – Maharam	
Ancillary	
56" wide	
75% polyester	
25% cotton	
ZTF03/465999-003	Unique

- Maharam textiles are on assigned lead times. <sup>A</sup>
- Fabric numbers are listed as Herman Miller fabric number/Maharam fabric number.

# Textile Colors

continued

Appendix: Textile Colors

## Price Category R

Borders – Maharam	
Ancillary	
53" wide	
98% wool	
2% polyester	
ZBB01/466082-001 Natural	
ZBB02/466082-002 Greige	
ZBB03/466082-003 Charcoal	
ZBB04/466082-004 Walnut	

Stow Leather - Maharam	
Ancillary	
approx. 50 sq. ft. per hide	
100% leather	
protective top coat	
ZSV01/700014-001 Opera	
ZSV02/700014-002 Japonica	
ZSV03/700014-003 Masquerade	
ZSV04/700014-004 Laguna	
ZSV05/700014-005 Jettison	
ZSV06/700014-006 Razor	
ZSV07/700014-007 Holiday	
ZSV08/700014-008 Patchouli	
ZSV09/700014-009 Macrame	
ZSV10/700014-010 Grace	
ZSV11/700014-011 Seraphim	
ZSV12/700014-012 Ricotta	
ZSV13/700014-013 Neroli	
ZSV14/700014-014 Sultana	
ZSV15/700014-015 Sundance	
ZSV16/700014-016 Quince	
ZSV17/700014-017 Babka	
ZSV18/700014-018 Maitake	
ZSV19/700014-019 Mercer	
ZSV20/700014-020 Gaucho	
ZSV21/700014-021 Chia	
ZSV22/700014-022 Vanguard	
ZSV23/700014-023 Zone	
ZSV24/700014-024 Zeppelin	

Stow Leather <i>continued</i>	
ZSV25/700014-025 Clandestine	
ZSV26/700014-026 Raven	
ZSV27/700014-027 Cabana	
ZSV28/700014-028 Rime	
ZSV29/700014-029 Forsythia	
ZSV30/700014-030 Panthera	
ZSV31/700014-031 Dune	
ZSV32/700014-032 Madera	
ZSV33/700014-033 Russet	
ZSV34/700014-034 Gala	
ZSV35/700014-035 Heron	

## Price Category S

Bavaria – Maharam	
Ancillary	
55" wide	
73% polyester	
27% cotton	
ZBV01/466162-001 Unique	

## Price Category T

All Grain Leather – Edelman	
Ancillary	
approx. 50 sq. ft. per hide	
100% full-grain Aniline-dye cowhide	
VB01/AG01	Pitch Brown
VB02/AG02	White
VB03/AG03	Cloud
VB04/AG04	Shadow
VB05/AG05	Black
VB06/AG06	Baked Bean
VB07/AG07	Mildew
VB08/AG08	Soot
VB09/AG09	Blue Jeans
VB10/AG10	Merlot
VB11/AG11	Nutmeg
VB12/AG12	Butter
VB13/AG13	Cherry
VB14/AG14	Burnt Orange
VB15/AG15	Whiskey
VB17/AG17	Raw Silk
VB18/AG18	Balsa
VB19/AG19	Naturale
VB21/AG21	Greige
VB22/AG27	Latte
VB23/AG28	Coral
VB24/AG29	Rose
VB25/AG30	Zinnia
VB26/AG31	Iris
VB27/AG32	Daffodil

Hours – Maharam	
Ancillary	
56" wide	
95% wool	
3% nylon	
2% rayon	
ZKR01/466092-001	Day
ZKR02/466092-002	Night

- Maharam textiles are on assigned lead times. <sup>A</sup>
- Fabric numbers are listed as Herman Miller fabric number/Maharam fabric number.

# Textile Colors

continued

Price Category U	Price Category V-W	Price Category X	Price Category Y
<p><b>Layers Garden Double – Maharam</b></p> <p>Ancillary 52” wide 96% wool 3% nylon 1% polyester</p> <p>ZLD01/465917-001 Ash/ Quartz/ Grass</p> <p>ZLD02/465917-002 Earth/ Chocolate/ Coral</p> <p>ZLD03/465917-003 Black/ Navy/ Cobalt</p>	<p>No fabrics available at this time.</p>	<p><b>Eden – Maharam</b></p> <p>Ancillary 56” wide 83% polyester 17% cotton</p> <p>ZED01/466258-001 001</p> <p>ZED02/466258-002 002</p> <p>ZED03/466258-003 003</p> <p>ZED04/466258-004 004</p> <p>ZED05/466258-005 005</p>	<p><b>Industry – Maharam</b></p> <p>Ancillary 55” wide 80% polyester 20% cotton</p> <p>ZND01/466255-001 001</p>
<p><b>Layers Park Double – Maharam</b></p> <p>Ancillary 52” wide 96% wool 3% nylon 1% polyester</p> <p>ZLB01/465919-001 Mineral/ Taupe/ Lemon</p> <p>ZLB02/465919-002 Sienna/ Ginger/ Rose</p> <p>ZLB03/465919-003 Black/ Peat/ Copper</p>		<p><b>Foliage – Maharam</b></p> <p>Ancillary 56” wide 75% polyester 25% cotton</p> <p>ZFG02/466257-002 002</p> <p>ZFG04/466257-004 004</p> <p>ZFG05/466257-005 005</p>	

Appendix: Textile Colors

- Maharam textiles are on assigned lead times. A
- Fabric numbers are listed as Herman Miller fabric number/Maharam fabric number.

# Textile Colors

continued

## Price Category Z

Agency – Maharam	
Ancillary	
55" wide	
75% polyester	
25% cotton	
ZAG02/466001-002	002
ZAG04/466001-004	004
ZAG05/466001-005	005
ZAG06/466001-006	006
ZAG07/466001-007	007
ZAG08/466001-008	008

## Price Category 10M

Pace Leather – Maharam	
Ancillary	
approx. 50 sq. ft. per hide	
100% leather	
ZPA01/700011-001	Whisper
ZPA02/700011-002	Shy
ZPA03/700011-003	Granite
ZPA04/700011-004	Misty
ZPA05/700011-005	Studio
ZPA06/700011-006	Throne
ZPA07/700011-007	Proper
ZPA08/700011-008	Huron
ZPA09/700011-009	Darkroom
ZPA10/700011-010	Bark
ZPA11/700011-011	Raspberry
ZPA12/700011-012	Sangria
ZPA13/700011-013	Admiral
ZPA14/700011-014	Juniper
ZPA15/700011-015	Regal
ZPA16/700011-016	Vapor
ZPA17/700011-017	Valley
ZPA18/700011-018	Bushel
ZPA19/700011-019	Heirloom
ZPA20/700011-020	Palomino
ZPA21/700011-021	Bamboo
ZPA22/700011-022	Saffron
ZPA23/700011-023	Tearose
ZPA24/700011-024	Canyon
ZPA25/700011-025	Bistro
ZPA26/700011-026	Toffee
ZPA27/700011-027	Rodeo
ZPA28/700011-028	Mudslide
ZPA29/700011-029	Greige
ZPA30/700011-030	Reflection
ZPA31/700011-031	Pure
ZPA32/700011-032	Desert
ZPA33/700011-033	Griffin
ZPA34/700011-034	Urbane
ZPA35/700011-035	Woodrose

Appendix: Textile Colors

- Maharam textiles are on assigned lead times. <sup>A</sup>
- Fabric numbers are listed as Herman Miller fabric number/Maharam fabric number.





For more information about our products and services or to see a list of dealers, please visit us at [HermanMiller.com](http://HermanMiller.com) or call (800) 851 1196.

© 2024 Herman Miller, Inc., Zeeland, Michigan

#### Distribution Rights

Working together since 1956, Herman Miller and Vitra are the authentic sources of designs by Charles and Ray Eames, Alexander Girard, and George Nelson. All the designs shown in this book are protected by law. Herman Miller has obtained all rights to make and sell these designs. Also, Herman Miller holds exclusive worldwide manufacturing and distribution rights for these products with the following exceptions:

Charles and Ray Eames, George Nelson, and Alexander Girard—Worldwide distribution rights for furniture in all areas except Europe and the Middle East. For those areas, please contact Vitra.

Isamu Noguchi—Worldwide distribution rights for the Noguchi Rudder Table. Distribution rights for the Noguchi Table in North America and Central America only. For all other areas, please contact Vitra.

Magis—Exclusive distribution rights in the US and Canada. For all other areas, please contact Magis.

© **HermanMiller**, 3D Intelligent, 8Z Pellicle, AO, Action Office, Aeron, Aside, Bubble Lamps, Canvas Office Landscape, Caper, Celle, Cosm, Co/Struc, Daisyone, Distil, Eames, Eco-Dematerialized, Embody, Envelop, Ethospace, Exclave, Fine-Tune, FlexFront, Flo, Formcoat, Formwork, Ground Cloth, Intent, Kinemat, Layout Studio, Lino, Live Unframed, Living Office, Maharam, Meridian, Mirra, Motia, Nelson, Pari, Pellicle, Perspectives, Plex, PostureFit, PostureFit SL, Public Office Landscape, Sayl, Setu, Striad, Tu, Ubi, Verus, Wishbone, Y-Tower and Zeph are among the registered trademarks of Herman Miller, Inc., and its owned subsidiaries.

™ About Face, AireWeave, Airia, Ambit, Asari Chair by HermanMiller, Backfit, Bublelact, Burdick Group, Butterfly Back, Canvas Vista, Cellular Suspension, Commend, Compass, Connect, DOT, Duracare, Durawrap, EnhancedAccess, Everywhere, Flex-Edge, Flute, Harmonic, Headway, Herman Miller Select, Hopsak 2, Iota, Keyless Entry, Latitude, Logic Mini, Logic Power Access Solutions, Lyris, Lyris 2, Made-to-Measure Storage, Mora, Multiscrim, Nevi, OE1, OE1 Workspace Collection, Overlay, Pixelated Support, Pronta, Renew, Sense, Soft Pad, Stackable, Stackable Storage, Swoop, Thrive, Tone, TriFlex, Twist and Wireframe are among the trademarks of Herman Miller, Inc., and its owned subsidiaries.

SM Herman Miller Options is among the service marks of Herman Miller, Inc.

AAP™ is a trademark of Extron Electronics.

Alexander Girard® is a registered trademark of The Alexander Girard Estate.

Chemsurf® is a registered trademark of Wilsonart International.

Corian® is a registered trademark of E. I. du Pont de Nemours and Company Corporation.

Crypton® is a registered trademark of Crypton, Inc.

DACRON® is a registered trademark of INVISTA S.a r.l.

Danzer® is a registered trademark of Danzer Holding AG.

Decora® is a registered trademark of Leviton Manufacturing Co., Inc.

Edelman® Leather is a registered trademark of Edelman Leather, Inc.

Extron® is a registered trademark of RGB Systems, Inc.

FENIX NTM® is a registered trademark of Arpa Industriale S.p.A.

FLEXNET™ is a trademark of Milliken & Company.

Floor Saver Glide® is a registered trademark of Carpin Manufacturing, Inc.

Forest Stewardship Council® is a registered trademark of the Forest Stewardship Council A.C. (FSC). We are FSC® certified (FSC® C102895).

FSC® is a registered trademark of the Forest Stewardship Council A.C. (FSC).

Geiger® is a registered trademark, and Bumper™, Saiba™, and Ward Bennett™ are trademarks, of Geiger International.

Hang-It-All® is a registered trademark of Lucia Eames Demetrios, d.b.a. Eames Office.

Holophane® is a registered trademark of Holophane.

Ingeo™ is a trademark of Cargill Dow LLC.

iPad® and Mac mini® are registered trademarks of Apple Inc.

Leviton® is a registered trademark of Leviton Manufacturing Co., Inc.

LifeSize® is a registered trademark of LifeSize Communications, Inc.

Logitech G® is a registered trademark of Logitech International S.A.

Magis®, Bombo®, and Me Too® are registered trademarks of Magis S.p.A.

MicrobeCare™ is a trademark of Parasol Medical LLC.

Microsoft® and Natural® Keyboard are registered trademarks of Microsoft Corporation.

Noguchi® and the Noguchi table configuration (trade dress) are registered trademarks, and Rudder Table™ is a trademark, of The Isamu Noguchi Foundation and Garden Museum.

Place Textiles® is a registered trademark of Place Textiles.

Sunbrella® is a registered trademark of Glen Raven, Inc.

SuperSeat™ is a trademark of Dahti Seating, a division of ITW.

Valor™ is among the trademarks owned by Nemschoff, Inc.